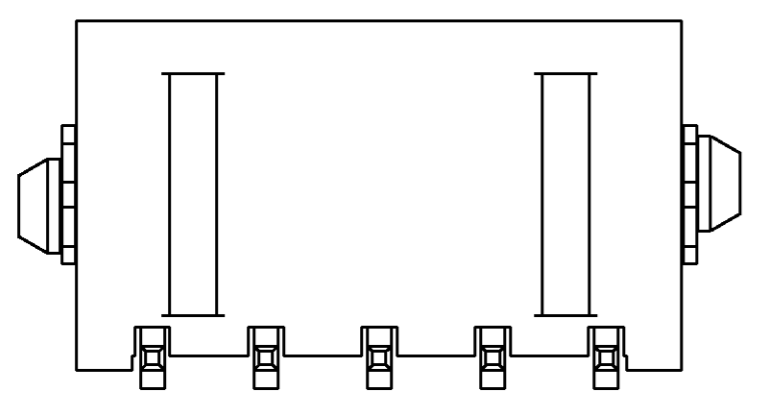
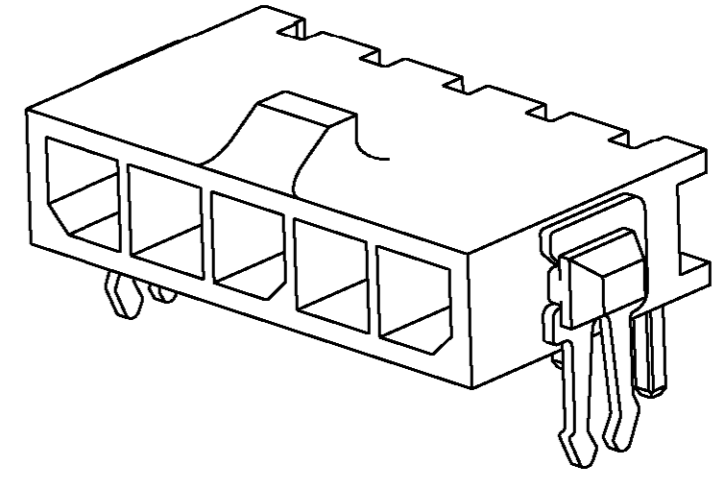
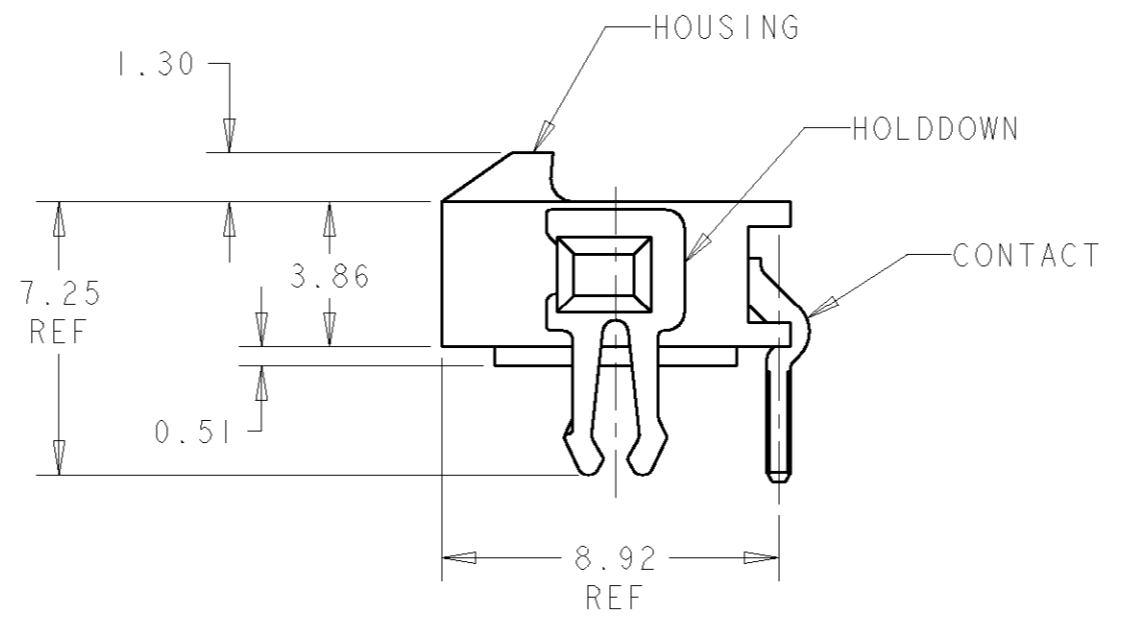
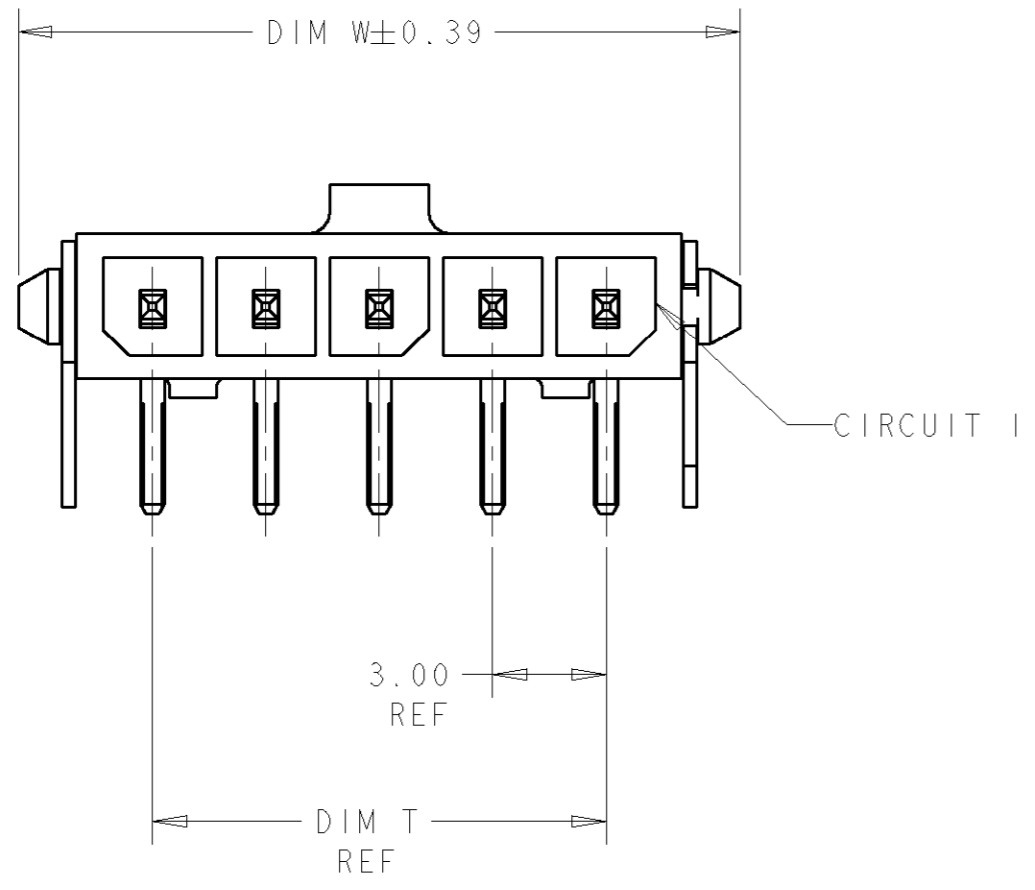
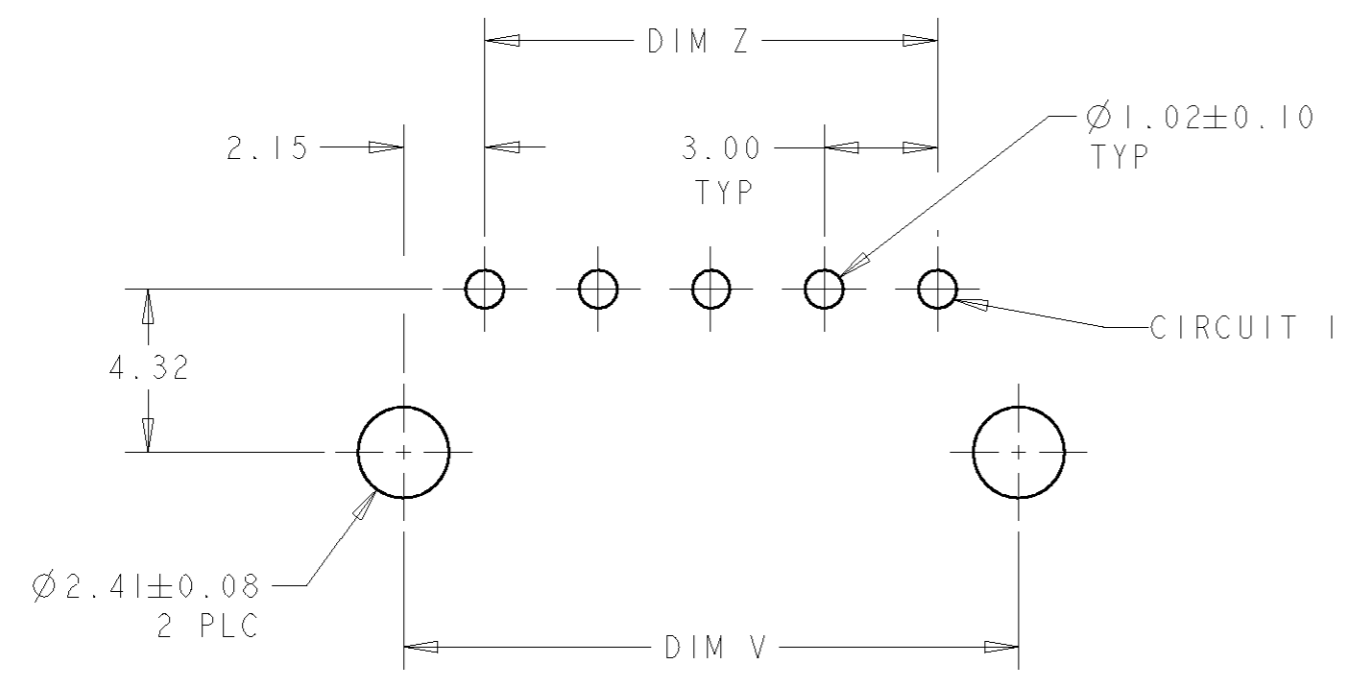


THIS DRAWING IS UNPUBLISHED. RELEASED FOR PUBLICATION .19
 © COPYRIGHT 19 BY AMP INCORPORATED. ALL RIGHTS RESERVED.

LOC	DIST	REVISIONS			
P	LTR	DESCRIPTION	DATE	DWN	APVD
CM	00	0	RELEASED PER 0G3B-0330-01	17-AUG-01	KW CJ



- 1 MATERIAL: CONTACTS - BRASS
 HOUSING - UL 94V-0 RATED HIGH TEMP NYLON, COLOR BLACK.
 HOLDDOWNS: - PHOSPHOR BRONZE.
- 2 PLATING: CONTACTS - 0.38µm MINIMUM GOLD ON MATING END,
 2.54µm MINIMUM TIN LEAD ON SOLDER TAILS, BOTH OVER
 1.27µm MINIMUM NICKEL.
 HOLDDOWNS: 2.54µm MINIMUM TIN-LEAD OVER 1.27µm MINIMUM
 NICKEL.
- 4 RECOMMENDED PC BOARD THICKNESS OF 1.57.



PCB LAYOUT COMPONENT SIDE 4

33.00	37.43	33.00	40.14	12	1-1445088-2
30.00	34.43	30.00	37.14	11	1-1445088-1
27.00	31.43	27.00	34.14	10	1-1445088-0
24.00	28.43	24.00	31.14	9	1445088-9
21.00	25.43	21.00	28.14	8	1445088-8
18.00	22.43	18.00	25.14	7	1445088-7
15.00	19.43	15.00	22.14	6	1445088-6
12.00	16.43	12.00	19.14	5	1445088-5
9.00	13.43	9.00	16.14	4	1445088-4
6.00	10.43	6.00	13.14	3	1445088-3
3.00	7.43	3.00	10.14	2	1445088-2
DIM Z	DIM V	DIM T	DIM W	NO. OF POSN	PART NUMBER

THIS DRAWING IS A CONTROLLED DOCUMENT FOR AMP INCORPORATED. IT IS SUBJECT TO CHANGE AND THE CONTROLLING ENGINEERING ORGANIZATION SHOULD BE CONTACTED FOR THE LATEST REVISION.		DWN J.ROOT 09OCT2000 CHK K. WHITAKER 17-APR-2001 APVD C. JONES 17-APR-2001	AMP Tyco Electronics Harrisburg, PA 17105-3608
DIMENSIONS: mm 	TOLERANCES UNLESS OTHERWISE SPECIFIED: 0 PLC ± 1 PLC ± 2 PLC ±0.13 3 PLC ± 4 PLC ± ANGLES ± FINISH -	PRODUCT SPEC - APPLICATION SPEC - WEIGHT -	NAME RT ANG THRU HOLE HEADER ASSY, 0.38 MIC GOLD CONTACTS W/THRU HOLE HOLDDOWNS, SGL ROW, MICRO MATE-N-LOK™ SIZE A2 CAGE CODE 00779 DRAWING NO. 1445088
MATERIAL - 1			CUSTOMER DRAWING SCALE 5:1 SHEET 1 OF 1 REV 0

