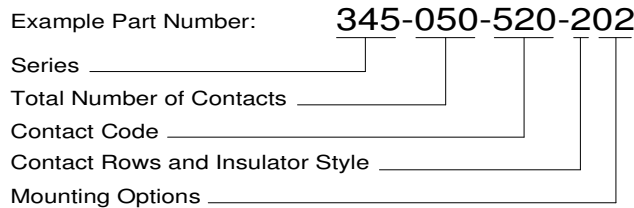


### FEATURES:

- .100" (2.54mm) Contact Spacing x .200" (5.08mm) Row Spacing
- Accepts .062" (1.57mm) Nominal Thickness P.C. Board
- High Profile Insulator Body, .600" (15.24mm)
- Contact Termination Options include P.C. Tail, Wire Wrap, 90 Degree Bends and Extender Board Bends
- Single or Dual Row Configurations
- Large Variety of Mounting Options, Flush or Offset Lugs
- Accepts between Contact and In-Contact Polarizing Keys
- Pre-assembled Card Guides are available
- Automatic Wire Wrap Positioning Holes
- RoHS Compliant & UL Recognized

### Specifications:

Insulator Material	UL 94V-0 Thermoplastic Polyester
Contact Material	Copper Alloy
Contact Plating	Gold Plating on mating area and Tin Plating on tails with Nickel underplating all over
Current Rating	3 Amperes
Contact Resistance	10 milliohms maximum
Dielectric Withstand Voltage	1200 VAC rms at sea level between adjacent contacts
Insulation Resistance	5000 Megohms minimum
Operating Temperature	-40°C to +105°C
Insertion Force	16oz (4.45N) maximum per contact pair when tested with .070" (1.78mm) thick gauge
Withdrawal Force	1oz (0.28N) minimum per contact pair when tested with .054" (1.37mm) thick gauge



### Series:

345  
395

### Insulator Color

Thermoplastic Polyester, Green  
Thermoplastic Polyester, Black

### Total Number of Contacts:

005, 006, . . . . 072  
010, 012, . . . . 144

### Contact Rows

Single Row  
Dual Row

### Contact Rows & Insulator Style

### Description

1	Single Row, Flush Mounting Lugs
2	Dual Row, Flush Mounting Lugs
4	Single Row, .110 (2.79) Offset Lugs
5	Dual Row, .110 (2.79) Offset Lugs
6	Single Row, .170 (4.32) Offset Lugs
8	Dual Row, .170 (4.32) Offset Lugs

### Contact Code

### Description & Tail Size

### Tail Length "G"

500	Wire Hole	.050 x .025 (1.27 x 0.64)	.260 (6.60)
520	P.C. Tail	.030 x .018 (0.76 x 0.46)	.175 (4.45)
521	P.C. Tail	.025 Square (0.64 Square)	.150 (3.81)
523	P.C. Tail	.025 Square (0.64 Square)	.390 (9.91)
524	P.C. Tail	.018 Square (0.46 Square)	.175 (4.45)
525	P.C. Tail	.018 Square (0.46 Square)	.150 (3.81)
540	Wire Wrap	.025 Square (0.64 Square)	.560 (14.22)
541	Wire Wrap	.025 Square (0.64 Square)	.750 (19.05)
542	Wire Wrap	.025 Square (0.64 Square)	.645 (16.38)
544	Wire Wrap	.050 x .025 (1.27 x 0.64)	.750 (19.05)
555	EXTENDER BOARD BEND (CODE 500 CONTACTS)		
556	EXTENDER BOARD BEND (CODE 520 CONTACTS)		
558	90 DEGREE BEND (CODE 541 CONTACTS)		
559	90 DEGREE BEND (CODE 541 CONTACTS)		
560	EXTENDER BOARD BEND (CODE 523 CONTACTS)		

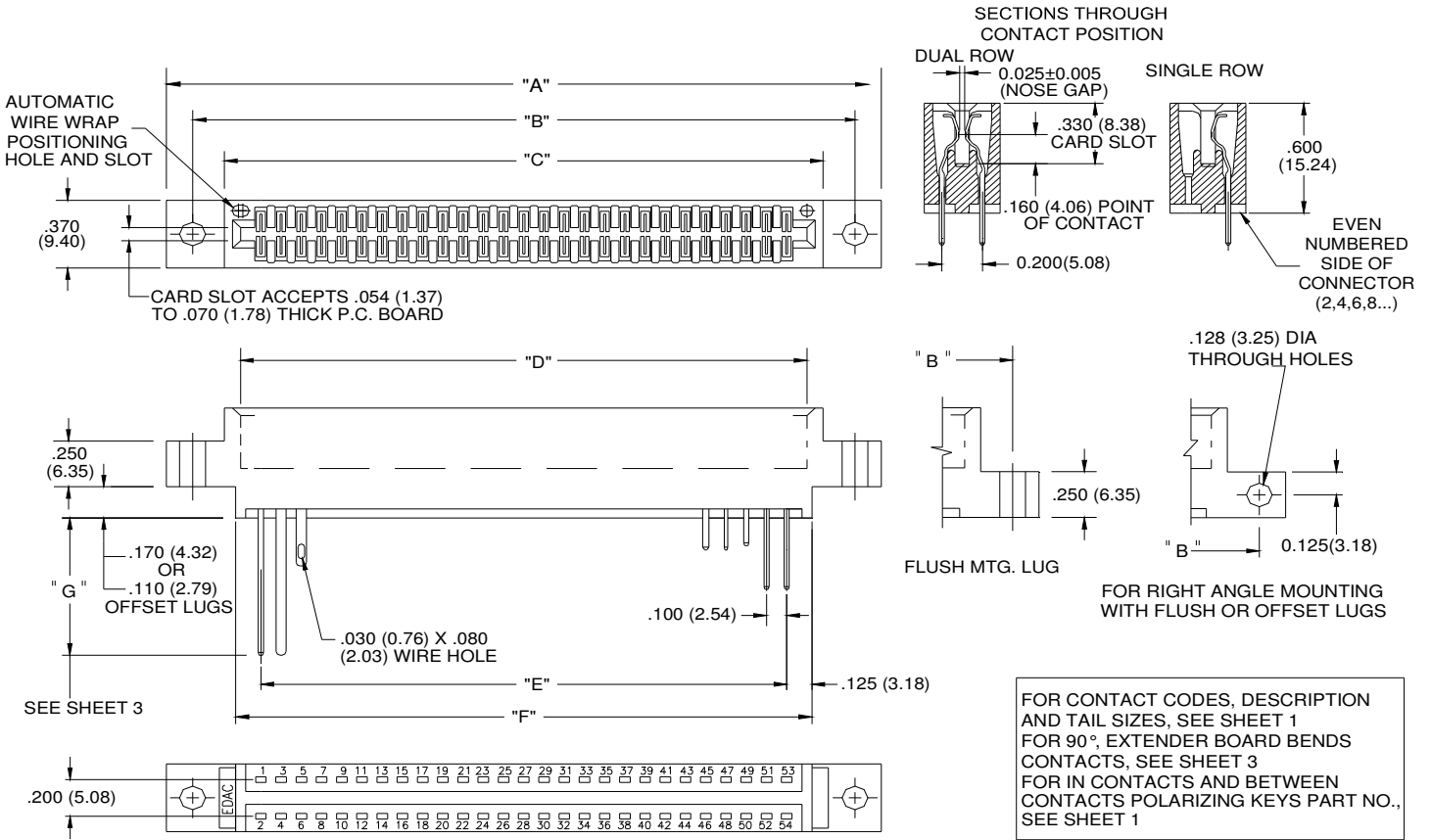
### Mounting Options:

### Description

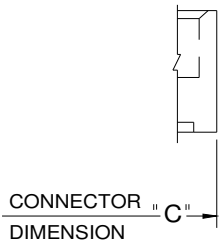
01	No Mounting Lug
02	Ø.128" (Ø3.25mm) Mounting Holes
03	Ø.116" (Ø2.95mm) I.D. Floating Eyelets
04	Ø.156" (Ø3.96mm) Mounting Holes
07	M3-0.5 Metric Threaded Inserts
08	#4-40 Unified Threaded Inserts
12	Ø.128" (Ø3.25mm) Side Mounting Holes
58	.468" (11.89mm) Offset Card Guides
78	In-Line Card Guides 2.750" (69.85mm) Long
88	In-Line Card Guides 1.250" (31.75mm) Long

### Ordering Code Notes:

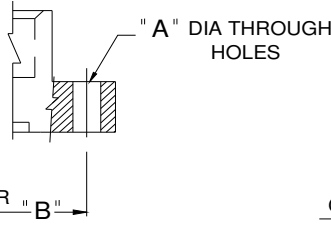
- 1) All connector sizes up to 72 contacts single row / 144 contacts dual row are available upon request.
- 2) The 500 contact code is only available in the 345 series. Green polyphenylene sulphide insulator material will be supplied.
- 3) For details of the extender board and 90 degree bends refer to next pages.
- 4) For lug-less connectors, code 01 mounting, specify contact row code 1 or 2.
- 5) For details of the mounting options refer to next pages.



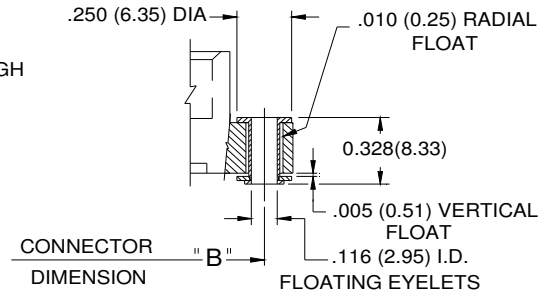
NUMBER OF CONTACTS		"A"		"B"		"C"		"D"		"E"	
Single	Double	Inch	mm	Inch	mm	Inch	mm	Inch	mm	Inch	mm
5	10	1.335	33.91	1.075	27.31	0.760	19.30	0.600	15.24	0.400	10.16
10	20	1.835	46.61	1.575	40.01	1.260	32.00	1.100	27.94	0.900	22.86
13	26	2.135	54.23	1.875	47.63	1.560	39.62	1.400	35.56	1.200	30.48
15	30	2.335	59.31	2.075	52.71	1.760	44.70	1.600	40.64	1.400	35.56
18	36	2.635	66.93	2.375	60.33	2.060	52.32	1.900	48.26	1.700	43.18
22	44	3.035	77.09	2.775	70.49	2.460	62.48	2.300	58.42	2.100	53.34
31	62	3.335	84.71	3.075	78.11	2.760	70.10	2.600	66.04	2.400	60.96
30	60	3.835	97.41	3.575	90.81	3.260	82.80	3.100	78.74	2.900	73.66
35	70	3.935	99.95	3.675	93.35	3.360	85.34	3.200	81.28	3.000	76.20
36	72	4.435	112.65	4.175	106.05	3.860	98.04	3.700	93.98	3.500	88.90
43	86	5.135	130.43	4.875	123.83	4.560	115.82	4.400	111.76	4.200	106.68
50	100	5.835	148.21	5.575	141.61	5.260	133.60	5.100	129.54	4.900	124.46
60	120	6.835	173.61	6.575	167.01	6.260	159.00	6.100	154.94	5.900	149.86
72	144	8.035	204.09	7.775	197.49	7.460	189.48	7.300	185.42	7.100	180.34



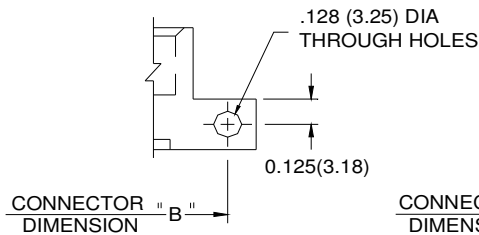
MOUNTING OPTION  
CODE x01  
(NO MOUNTING LUGS)



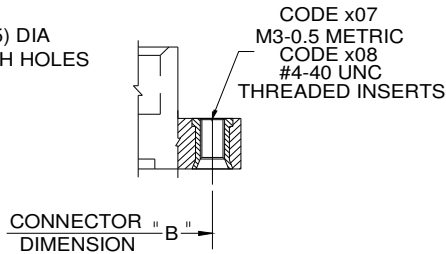
MOUNTING OPTION  
CODES x02 AND x04  
(THROUGH MOUNTING HOLES)



MOUNTING OPTION  
CODE x03  
(FLOATING EYELETS)

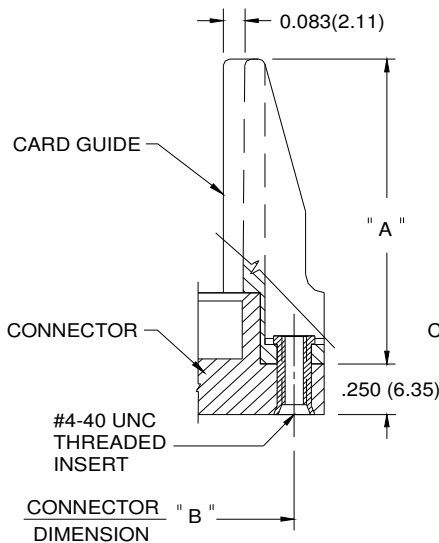


MOUNTING OPTION  
CODE x12  
(SIDE MOUNTING HOLES)  
WITH INSERTS: CODES x17 & x18,  
SEE TABLE

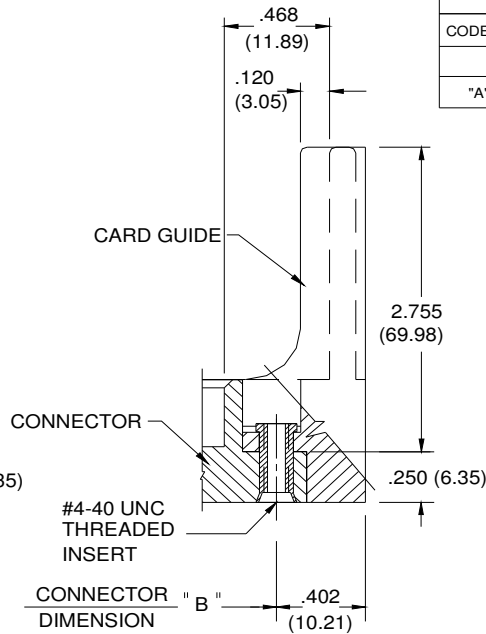


MOUNTING OPTION  
CODES x07 & x08  
(THREADED INSERTS)

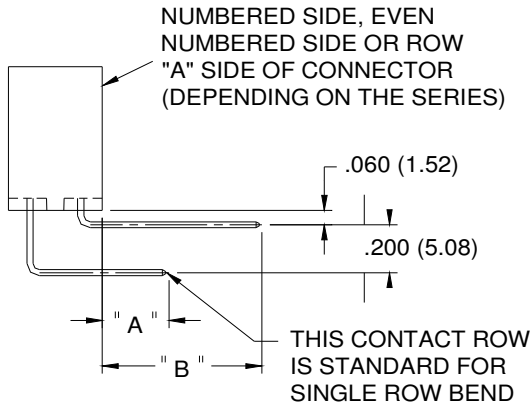
CODE X02 AND X04- THROUGH MTG. HOLES		
	CODE X02	CODE X04
"A" DIA.	0.128(3.25)	0.156(3.96)
CODE X07 AND X08- THREADED INSERTS		
	CODE X07	CODE X08
INSERT	M3-0.5(METRIC)	#4-40 UNC
SIDE MOUNTING HOLES WITH INSERTS		
	CODE X17	CODE X18
INSERT	M3-0.5(METRIC)	#4-40 UNC
CODES X78 AND X88- IN-LINE CARD GUIDES		
	CODE X78	CODE X88
"A"	2.750(69.85)	1.250(31.75)



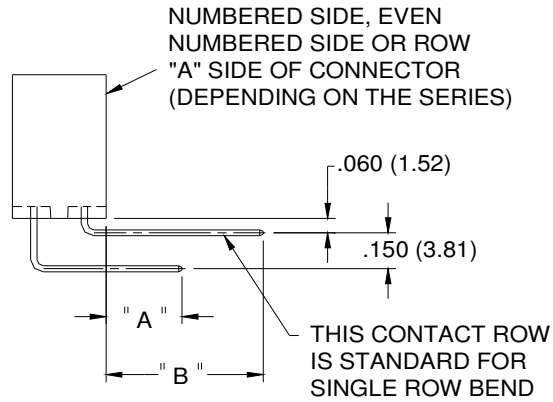
MOUNTING OPTION  
CODES x78 & x88  
(IN-LINE CARD GUIDE)



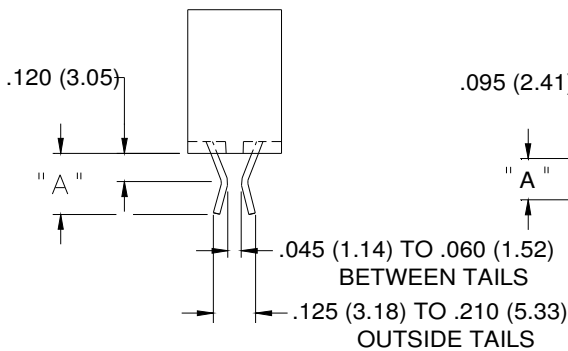
MOUNTING OPTION  
CODES x58  
(OFFSET CARD GUIDES)



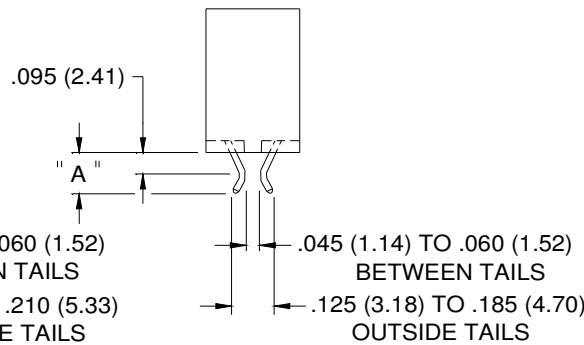
CONTACT CODE 558



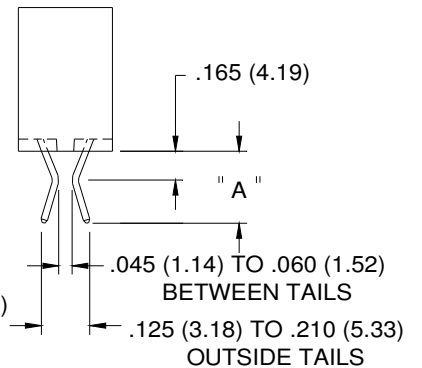
CONTACT CODE 559



CONTACT CODE 555 BEND USES  
WIRE HOLE CONTACTS



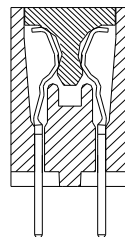
CONTACT CODE 556



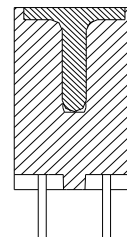
CONTACT CODE 560

MTG. OPTION	A	B
555	0.245(6.22)	
556	0.170(4.32)	
558	0.235(5.97)	0.635(16.13)
559	0.285(7.24)	0.635(16.13)
560	0.375(9.53)	

IN-CONTACT  
POLARIZING KEY  
P/N 345-240-328



BETWEEN CONTACT  
POLARIZING KEY  
P/N 345-240-318



# Mouser Electronics

Authorized Distributor

Click to View Pricing, Inventory, Delivery & Lifecycle Information:

## EDAC:

[345-010-500-201](#) [345-010-500-202](#) [345-010-500-204](#) [345-010-500-801](#) [345-010-500-802](#) [345-010-500-804](#) [345-010-520-201](#) [345-010-520-202](#) [345-010-520-204](#) [345-010-520-801](#) [345-010-520-802](#) [345-010-520-804](#) [345-010-521-201](#) [345-010-521-202](#) [345-010-521-204](#) [345-010-521-801](#) [345-010-521-802](#) [345-010-521-804](#) [345-010-523-201](#) [345-010-523-202](#) [345-010-523-204](#) [345-010-523-801](#) [345-010-523-802](#) [345-010-523-804](#) [345-010-524-201](#) [345-010-524-202](#) [345-010-524-204](#) [345-010-524-801](#) [345-010-524-802](#) [345-010-524-804](#) [345-010-527-201](#) [345-010-527-202](#) [345-010-527-204](#) [345-010-527-801](#) [345-010-527-802](#) [345-010-527-804](#) [345-010-540-201](#) [345-010-540-202](#) [345-010-540-204](#) [345-010-540-801](#) [345-010-540-802](#) [345-010-540-804](#) [345-010-541-201](#) [345-010-541-202](#) [345-010-541-204](#) [345-010-541-801](#) [345-010-541-802](#) [345-010-541-804](#) [345-010-542-201](#) [345-010-542-202](#) [345-010-542-204](#) [345-010-542-801](#) [345-010-542-802](#) [345-010-542-804](#) [345-012-500-201](#) [345-012-500-202](#) [345-012-500-204](#) [345-012-500-801](#) [345-012-500-802](#) [345-012-500-804](#) [345-012-520-201](#) [345-012-520-202](#) [345-012-520-204](#) [345-012-520-801](#) [345-012-520-802](#) [345-012-520-804](#) [345-012-521-201](#) [345-012-521-202](#) [345-012-521-204](#) [345-012-521-801](#) [345-012-521-802](#) [345-012-521-804](#) [345-012-523-201](#) [345-012-523-202](#) [345-012-523-204](#) [345-012-523-801](#) [345-012-523-802](#) [345-012-523-804](#) [345-012-524-201](#) [345-012-524-202](#) [345-012-524-204](#) [345-012-524-801](#) [345-012-524-802](#) [345-012-524-804](#) [345-012-527-201](#) [345-012-527-202](#) [345-012-527-204](#) [345-012-527-801](#) [345-012-527-802](#) [345-012-527-804](#) [345-012-540-201](#) [345-012-540-202](#) [345-012-540-204](#) [345-012-540-801](#) [345-012-540-802](#) [345-012-540-804](#) [345-012-541-201](#) [345-012-541-202](#) [345-012-541-204](#) [345-012-541-801](#)