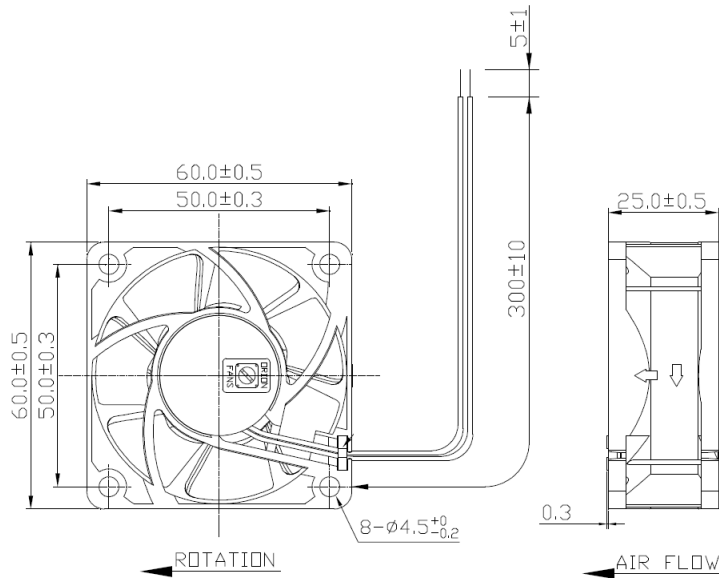


OD6025 Series



DC Fan - 5, 12, 24, 48V
60x25mm (2.36"x 1.0")



Frame & Impeller	PBT, UL94V-0 plastic	Available Options: Tachometer Alarm PWM IP55 <u>Life Expectancy (L10)</u> Ball - 60,000 hrs (45C) Sleeve - 30,000 hrs (45C) <u>Operating Temperature</u> Ball: -10C ~ 70C Sleeve: -10C ~ +50C Weight: ~ 0.15 lbs m1	
Connection	2x Lead wires 24AWG		
Motor	Brushless DC, auto restart, polarity protected		
Bearing System	Ball bearing or Sleeve		
Insulation Resistance	10M ohm between leadwire and frame (500VDC)		
Dielectric Strength	1 minute at 500 VAC, max leakage < 500 MicroAmp		
Storage Temperature	-40C ~ +80C		

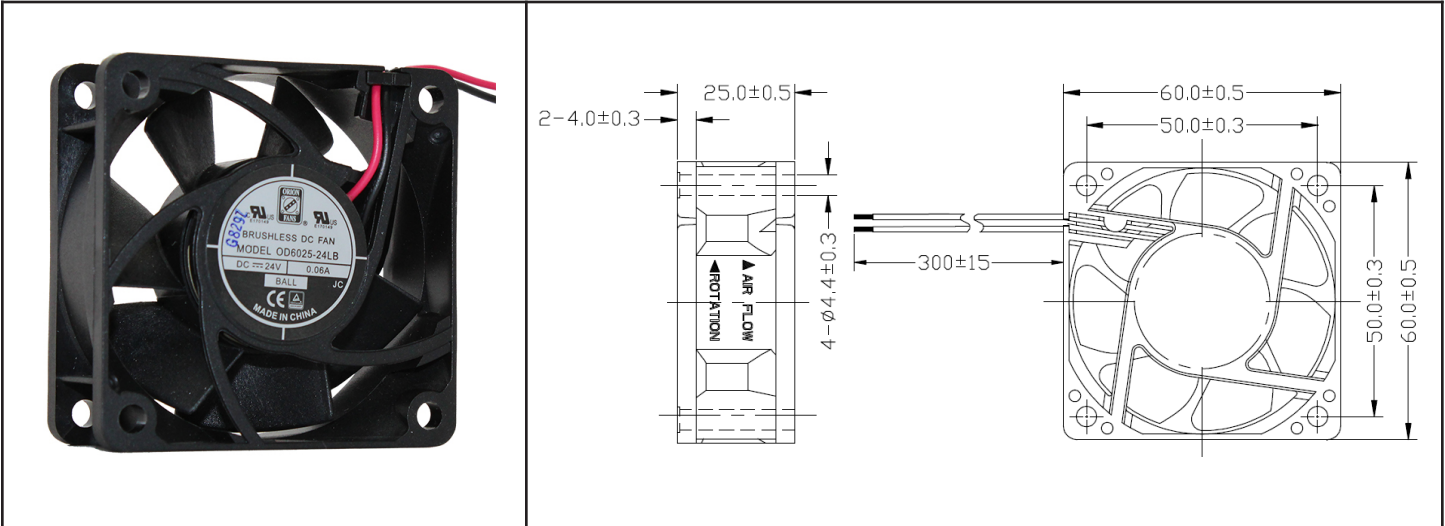
Model Number	Speed (RPM)	Airflow (CFM)	Noise (dB)	Volts DC	Input Power (Watts)	Amps	Max. Static Pressure ("H ₂ O)
OD6025-05H*	4500	23	33	5	1.8	0.35	0.25
OD6025-05M*	3500	18	28	5	0.95	0.19	0.12
OD6025-05L*	2500	13	18	5	0.5	0.10	0.06
OD6025-12HH *	5100	28	40	12	3.1	0.25	0.24
OD6025-12M *	3500	18	27	12	1.6	0.13	0.15
OD6025-12L *	2500	13	19	12	1.0	0.08	0.08
OD6025-24HH *	5100	28	40	24	3.9	0.16	0.24
OD6025-24H *	4500	24	33	24	2.9	0.12	0.25
OD6025-24M *	3500	18	27	24	2.2	0.09	0.15
OD6025-24L *	2500	13	19	24	1.0	0.06	0.08
OD6025-48H*	4200	28	30	48	3.4	0.07	0.24

To indicate sleeve bearing replace "B" suffix with "S" in part number (30,000 hrs life expectancy) To indicate sealed sleeve bearing replace "B" with "SS" in part number (50,000 hrs life expectancy)

OD6025-12HB



DC Fan - 12V, High Speed
60x28mm (2.36" x 1.10")



Frame & Impeller	PBT, UL94V-0 plastic	Available Options: Tachometer Alarm PWM IP55 Life Expectancy (L10) 70,000 hours (40C) Weight: ~ 0.14 lbs m4	
Connection	2x Lead wires		
Motor	Brushless DC, auto restart, polarity protected.		
Bearing System	Dual ball bearing		
Insulation Resistance	Min. 10M at 500VDC		
Dielectric Strength	1 minute at 500 VAC, max leakage < 500 MicroAmp		
Temperature Range	-10C ~ 70C		
Storage Temperature	-40C ~ +75C		

Part Number	OD6025-12HB
Nominal Voltage	12 VDC
Voltage Range	6 ~ 13.8 VDC
Nominal Current	0.14 A
Start-up Voltage	6.0 VDC
Rated Power	1.68 W
Rated Speed (RPM)	4000
Airflow (CFM)	20.3
Noise Level (dB)	29
Max. Static Pressure	0.18" H2O