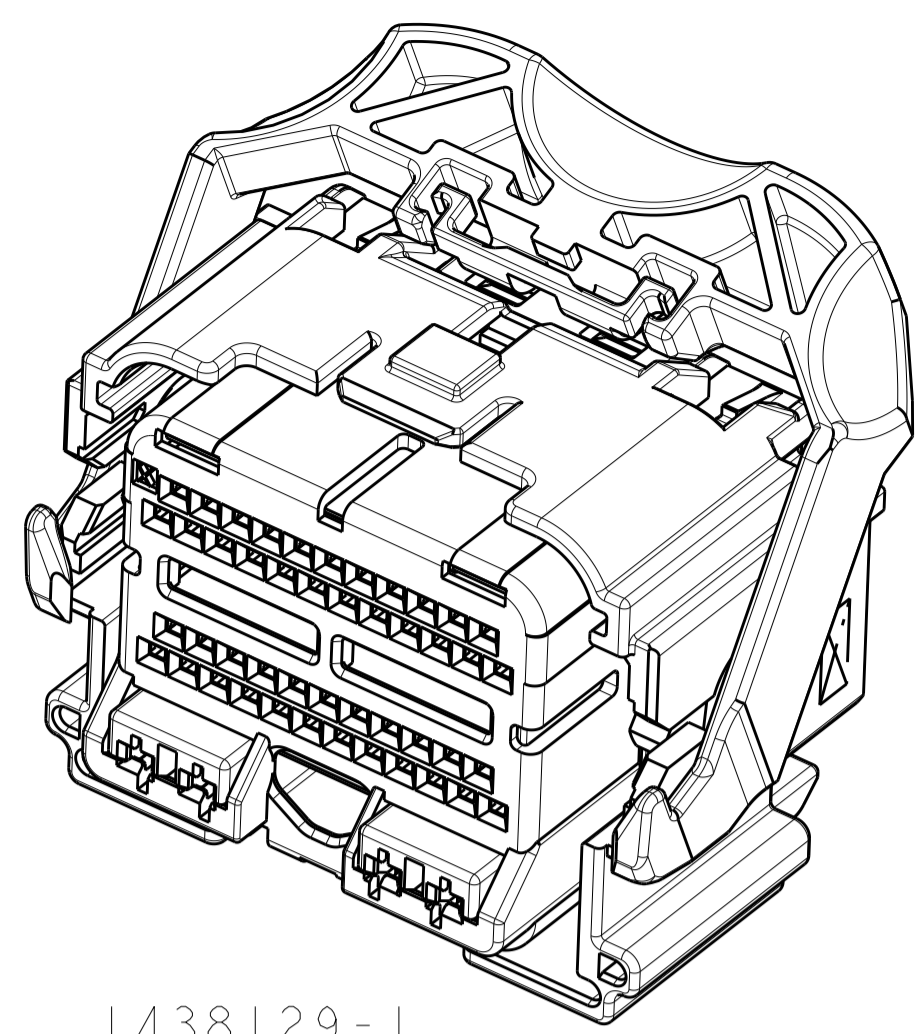
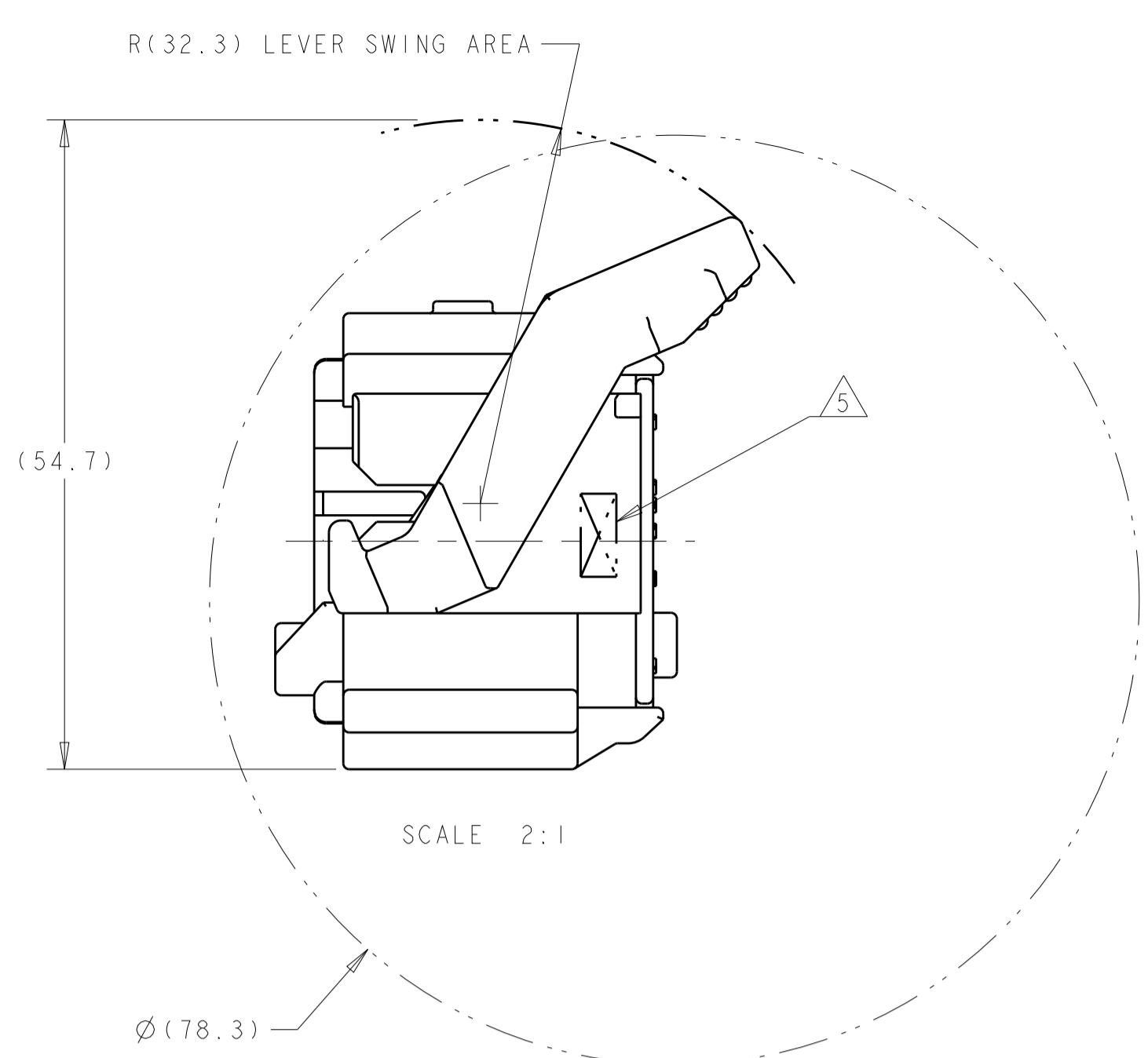
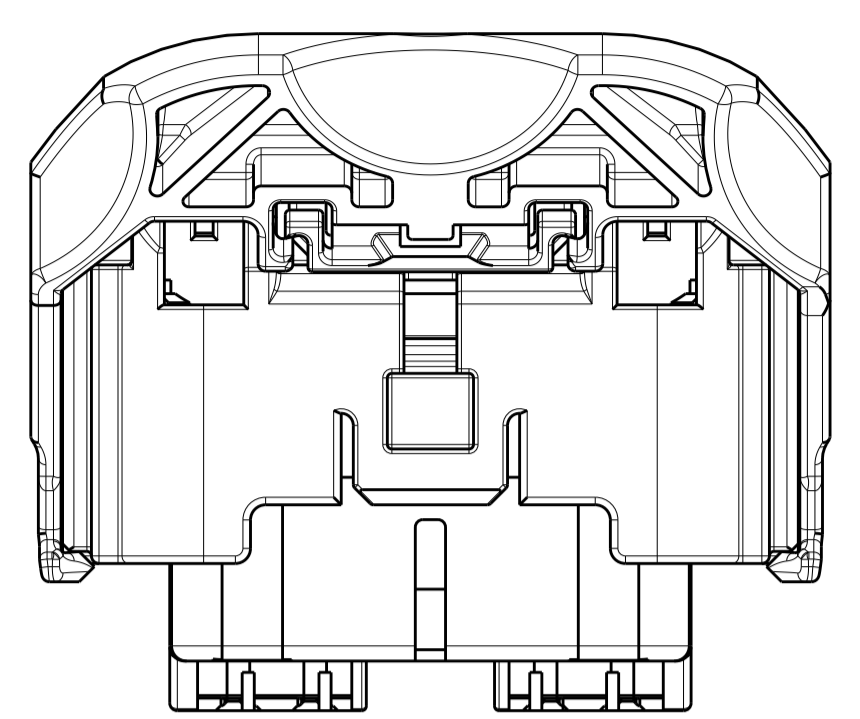


REVISIONS					
P.	LTN	DESCRIPTION	DATE	DMN	APVD
F33		REVISED PER ECO-16-018427	25JAN2017	DLD	DCM
F34		REVISED PER ECO-17-007768	30MAY2017	DLD	DCM
F35		REVISED PER ECO-17-014872	24OCT2017	JMS	CM
F36		REVISED PER ECO-18-005691	16APR2018	JMS	CM



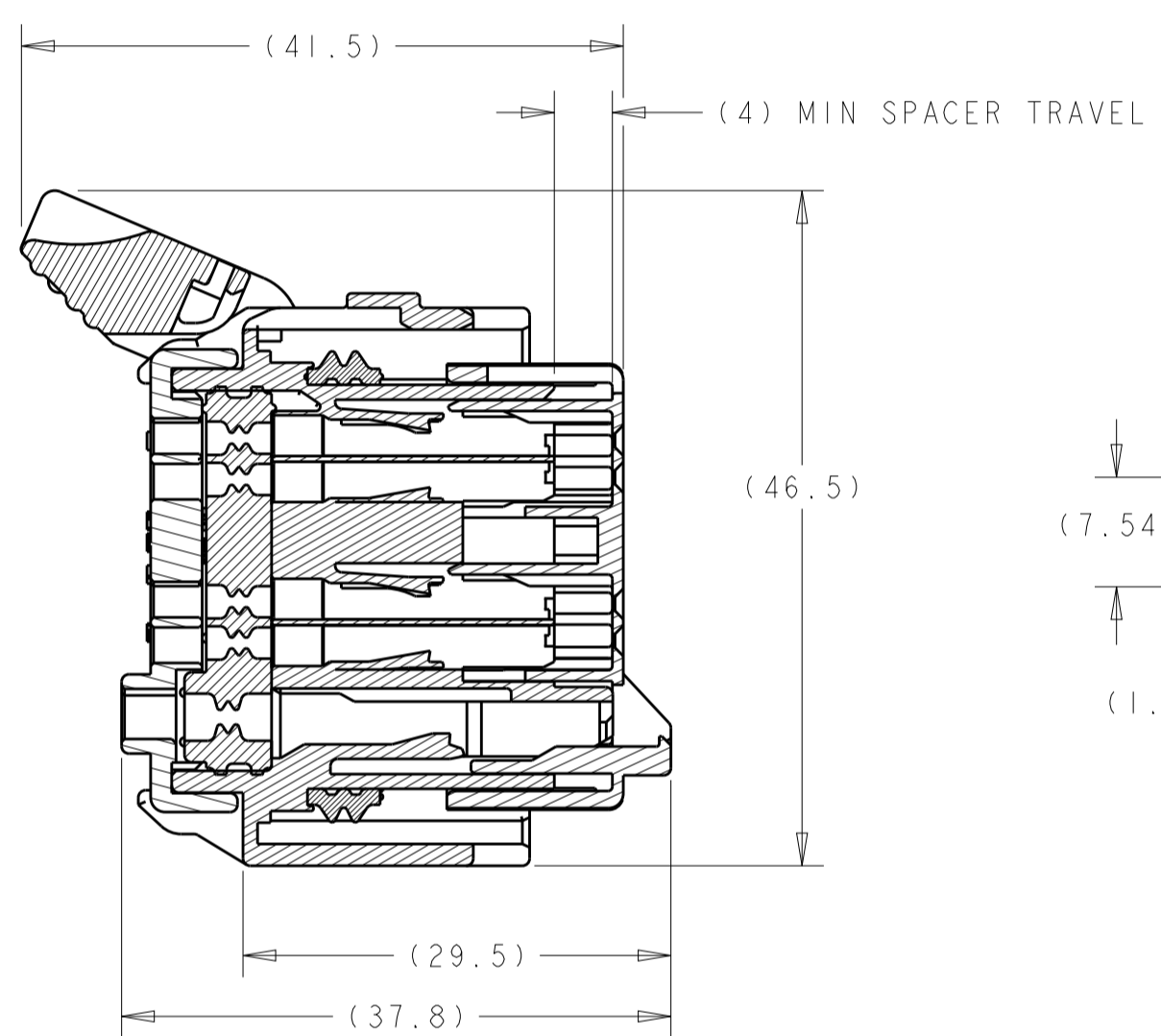
1438129-1  
 SHOWN WITH SPACER  
 IN SEATED POSITION



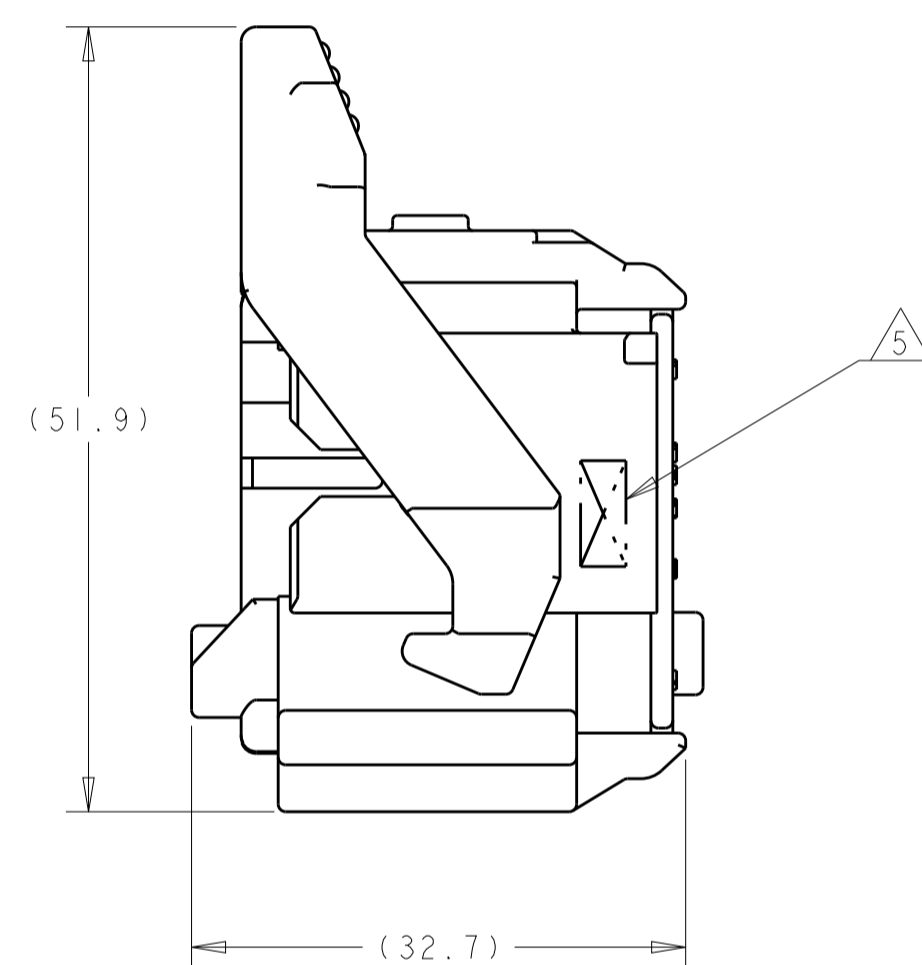
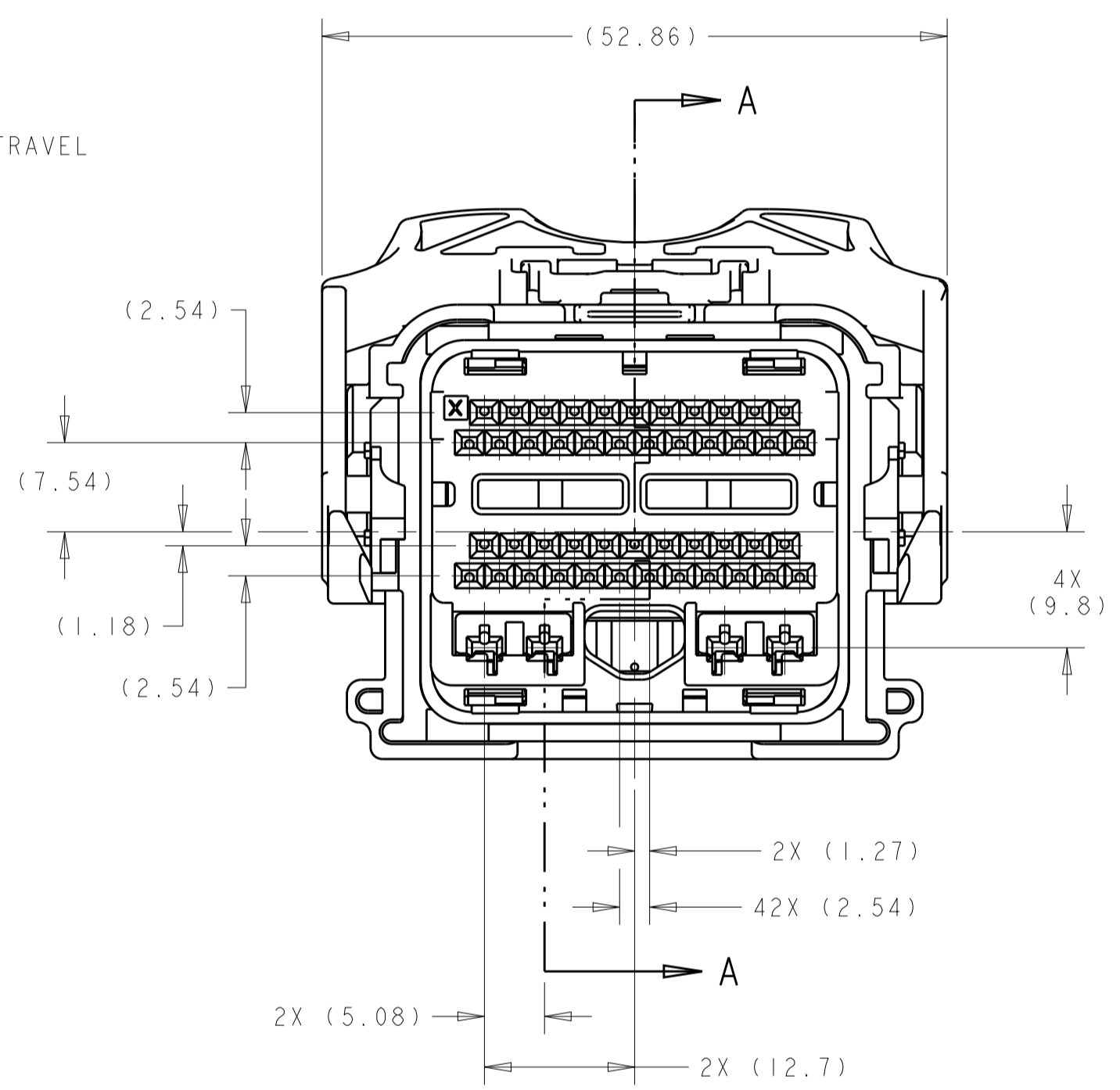
SCALE 2:1

MIN. FEED THRU  
 CONDITION WITH 1mm  
 CLEARANCE ALL AROUND  
 SHOWN WITH SPACER IN SEATED POSITION

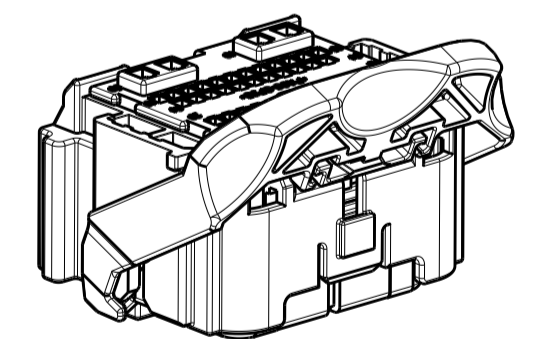
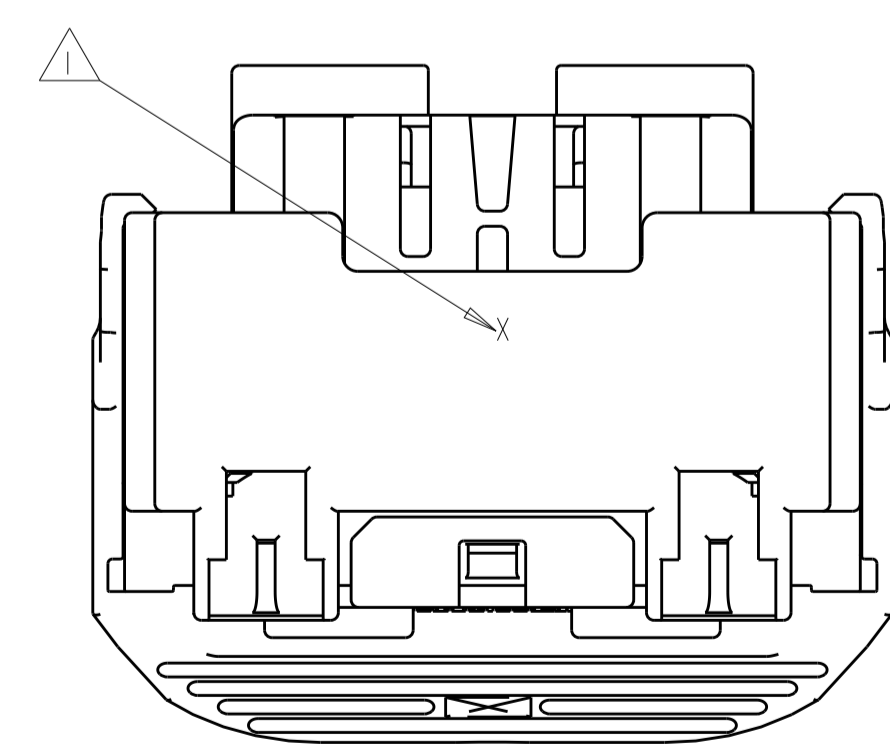
- PRINT PART NUMBER (5S4T-14A464-L\*-\*\*\*, 5S4T-14A464-M\*-\*\*\*, 5S4T-14A464-N\*-\*\*\*) AND TRACEABILITY (YY : 2 DIGIT YEAR, JJJ = JULIAN DATE, HH = 2 DIGIT MILITARY HOUR CODE IN THE LOCATION AT ASSEMBLY. SEE SHEET 3 THRU 7 (-\*) PART NUMBERS.
  - APPLICABLE MOLEX (1.5) POWER TERMINAL PART NUMBERS:  
 33012-0002 TIN 0.50-1.50mm<sup>2</sup>
  - CAM LEVER AND SPACER ARE SHIPPED IN THEIR PRE-ASSEMBLED POSITIONS.
  - REFERENCE TE CONNECTIVITY INSTRUCTION SHEET 408-8893.
- 5 COMPANY LOGO.



SECTION A-A  
 SPACER AND LEVER IN  
 PRE-SEATED POSITION  
 (DELIVERY CONDITION)



SHOWN WITH CAM  
 LEVER AND SPACER  
 IN LOADED POSITION



SCALE 1:1

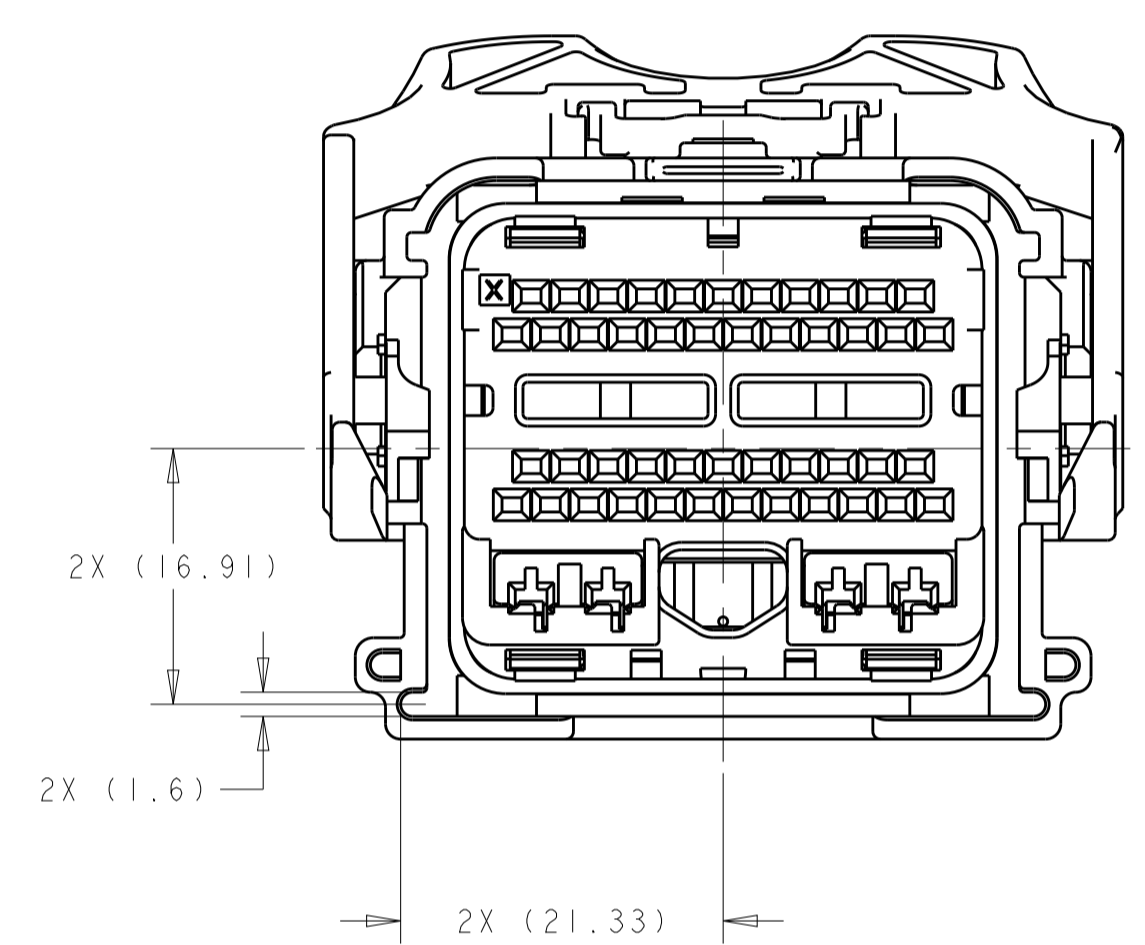
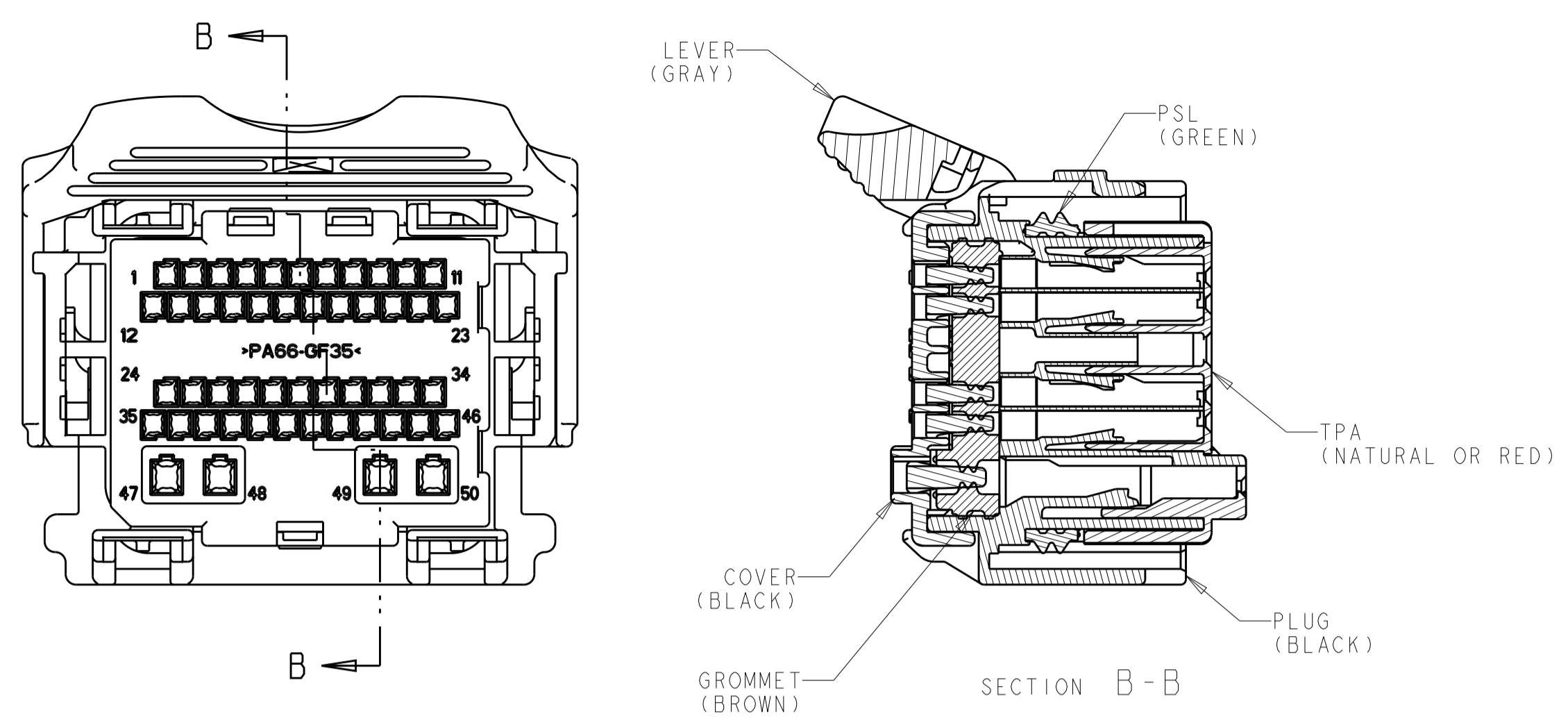
APPLICABLE COMPONENTS (FOR REFERENCE ONLY)						
DESCRIPTION	NOMINAL TERMINAL SIZE	COLOR/PLATING	FORD COMPONENT PART NUMBER	SUPPLIER PART NUMBER	MATERIAL/SPECIFICATION NUMBER	SAE WIRE SIZE
TERMINAL - FEMALE (Ag)	0.64 (CAT. 0)	SILVER	7S4T-14474-AA	I393366-2	COPPER ALLOY/SILVER PLATE	20AWG
						18AWG
TERMINAL - FEMALE (Ag)	0.64 (CAT. 0)	SILVER	7S4T-14474-BA	I393367-2	COPPER ALLOY/SILVER PLATE	22AWG
TERMINAL - FEMALE (Sn)	0.64 (CAT. 0)	TIN	1L2T-14474-AA	I393366-1	COPPER ALLOY/TIN PLATE	20AWG
						18AWG
TERMINAL - FEMALE (Sn)	0.64 (CAT. 0)	TIN	1L2T-14474-BA	I393367-1	COPPER ALLOY/TIN PLATE	22AWG
TERMINAL - FEMALE (Au)	0.64 (CAT. 0)	GOLD	1L2T-14474-CA	I393365-1	COPPER ALLOY/GOLD PLATE	20AWG
						18AWG
TERMINAL - FEMALE (Au)	0.64 (CAT. 0)	GOLD	1L2T-14474-DA	I393364-1	COPPER ALLOY/GOLD PLATE	22AWG

ANY DESIGN CHANGES ON THIS ASSEMBLY MAY  
 ALSO BE REQUIRED ON ASSEMBLY DRAWING 1438691

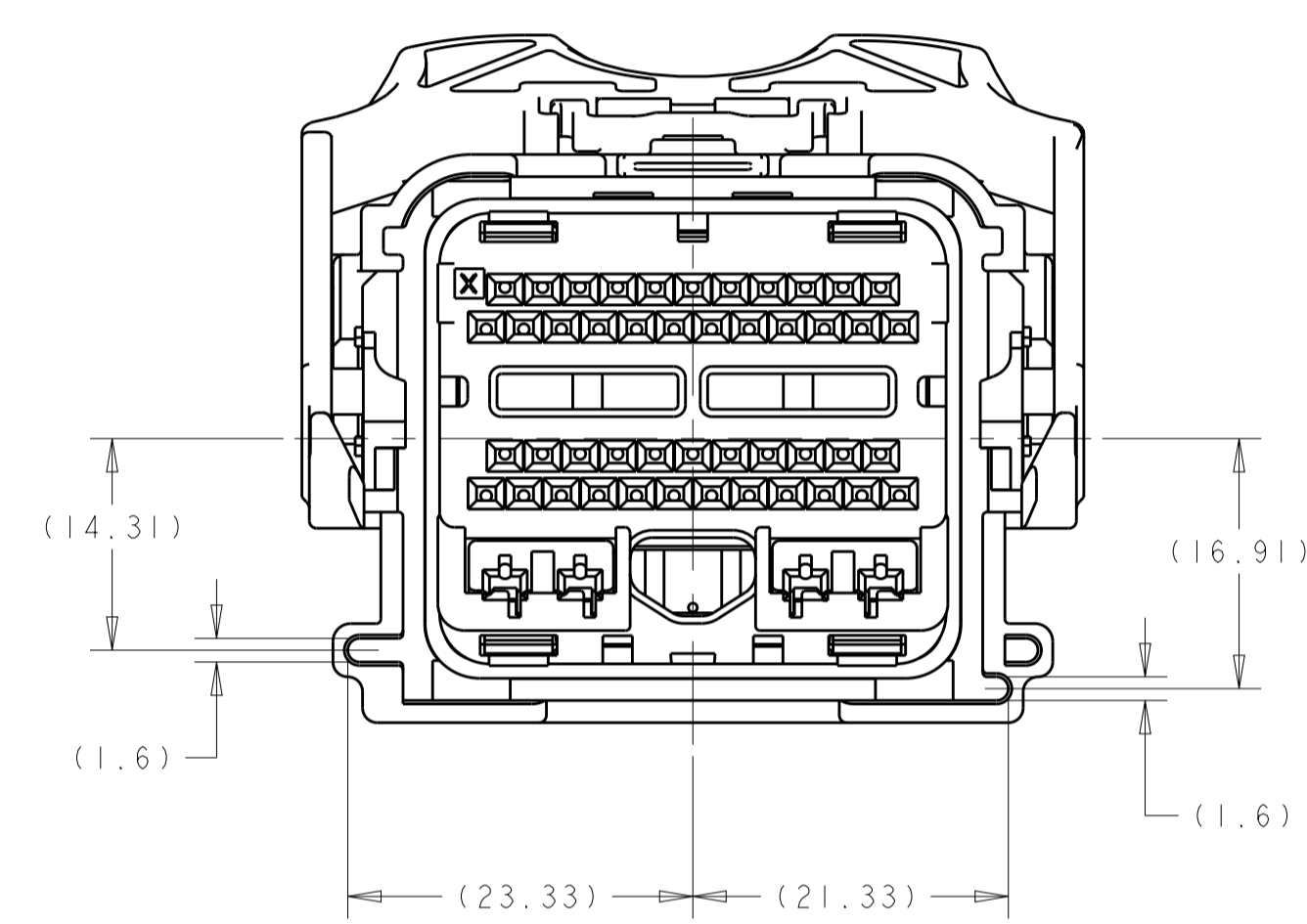
SEE TABLES  
 SHEETS 3 THRU 7  
 PART NUMBER

THIS DRAWING IS A CONTROLLED DOCUMENT.		DMN: R. VESTAL 15APR2005		NAME: 50-WAY HARNESS ASSEMBLY, PCM PRODUCT SPEC: - APPLICATION SPEC: - WEIGHT: - CUSTOMER DRAWING: -
DIMENSIONS: mm		CHK: T. VALASEK 15APR2005		
TOLERANCES UNLESS OTHERWISE SPECIFIED: 0 PLC ±0.3 1 PLC ±0.10 2 PLC ±0.15 3 PLC ±0.20 4 PLC ±0.25 ANGLES ±1°		APVD: T. VALASEK 15APR2005	SIZE: A100779 CAGE CODE: - DRAWING NO: 1438129	RESTRICTED TO: -
MATERIAL: -		FINISH: -	SCALE: 1:1	SHEET 1 OF 10 REV: F36

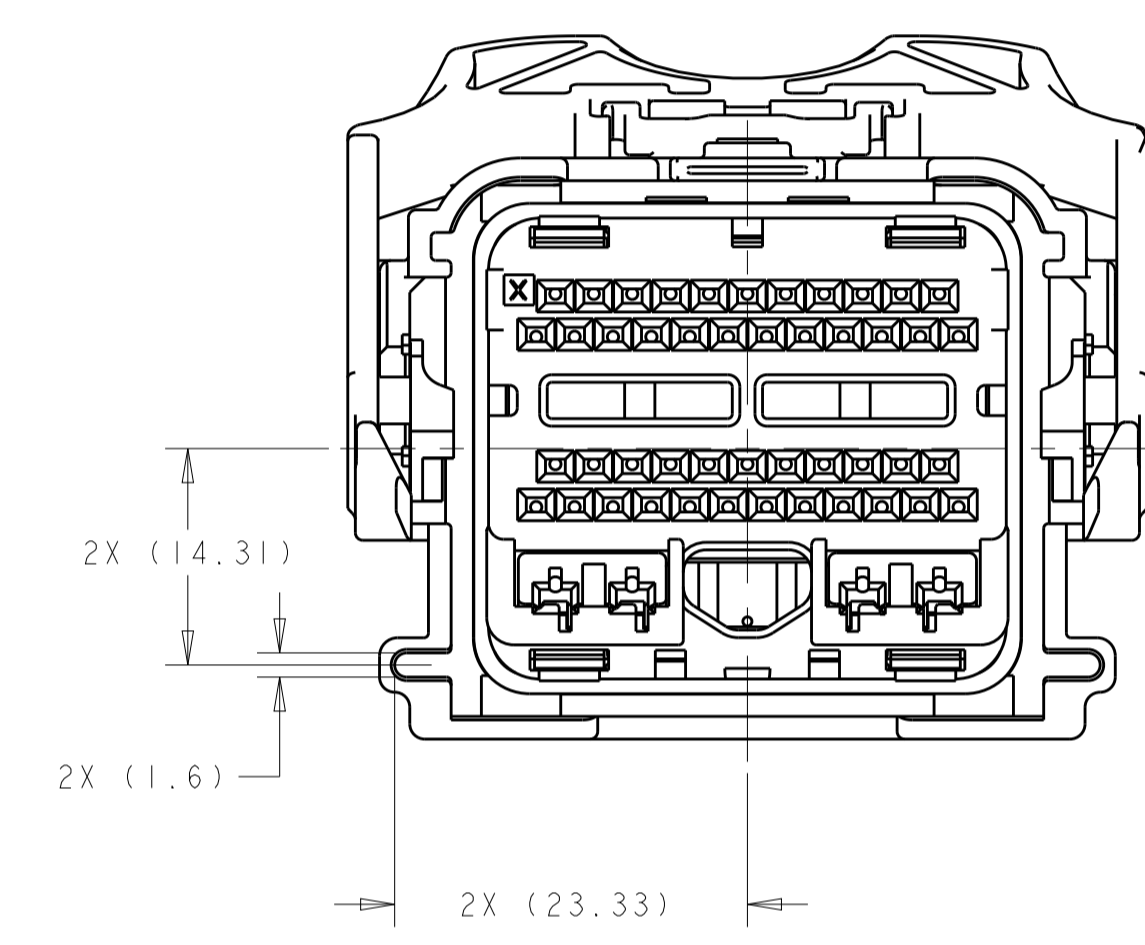
REVISIONS				
P.	LTN.	DESCRIPTION	DATE	APPV.
-	-	SEE SHEET 1	-	-



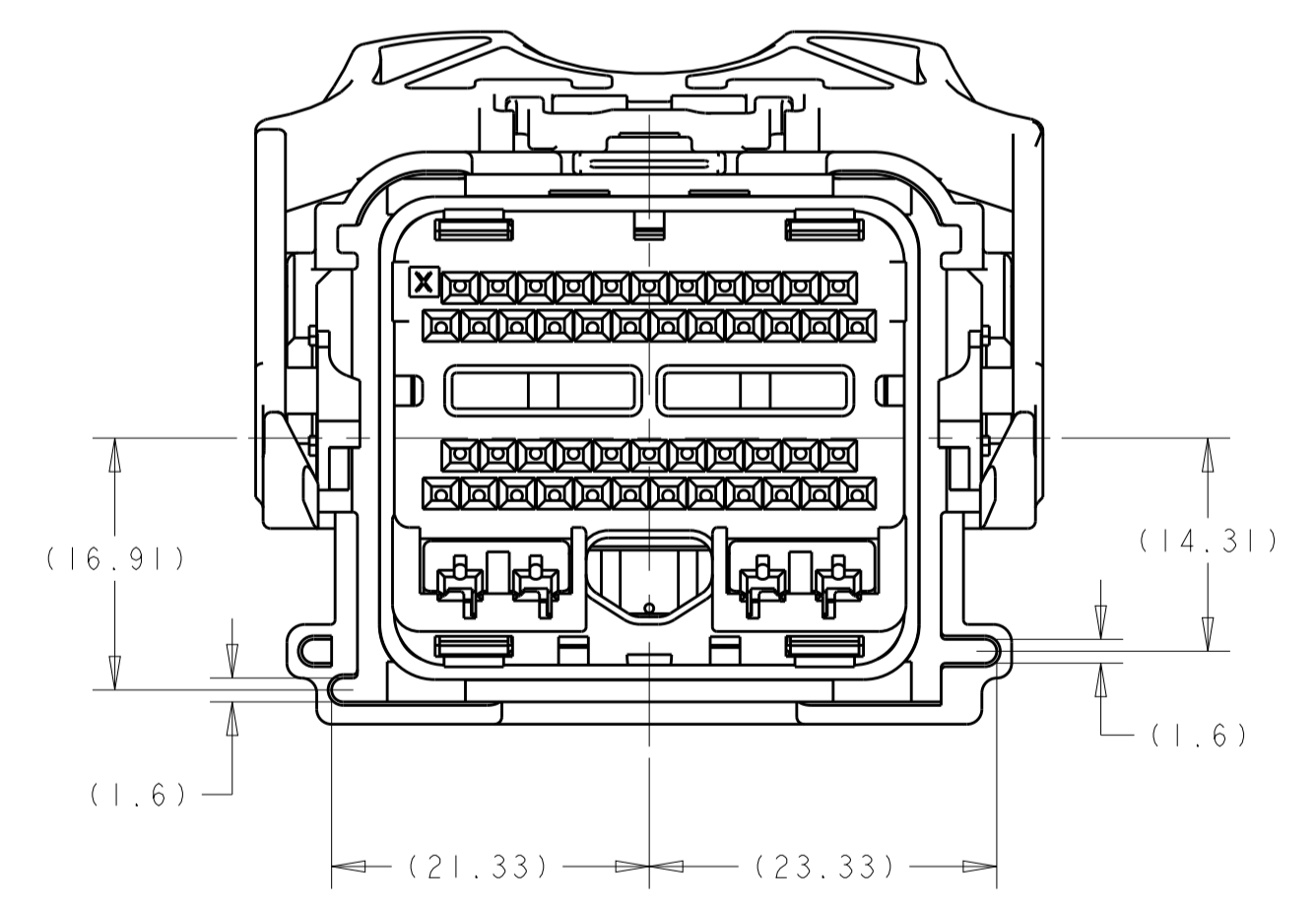
1438129-1  
KEYING OPTION "A"



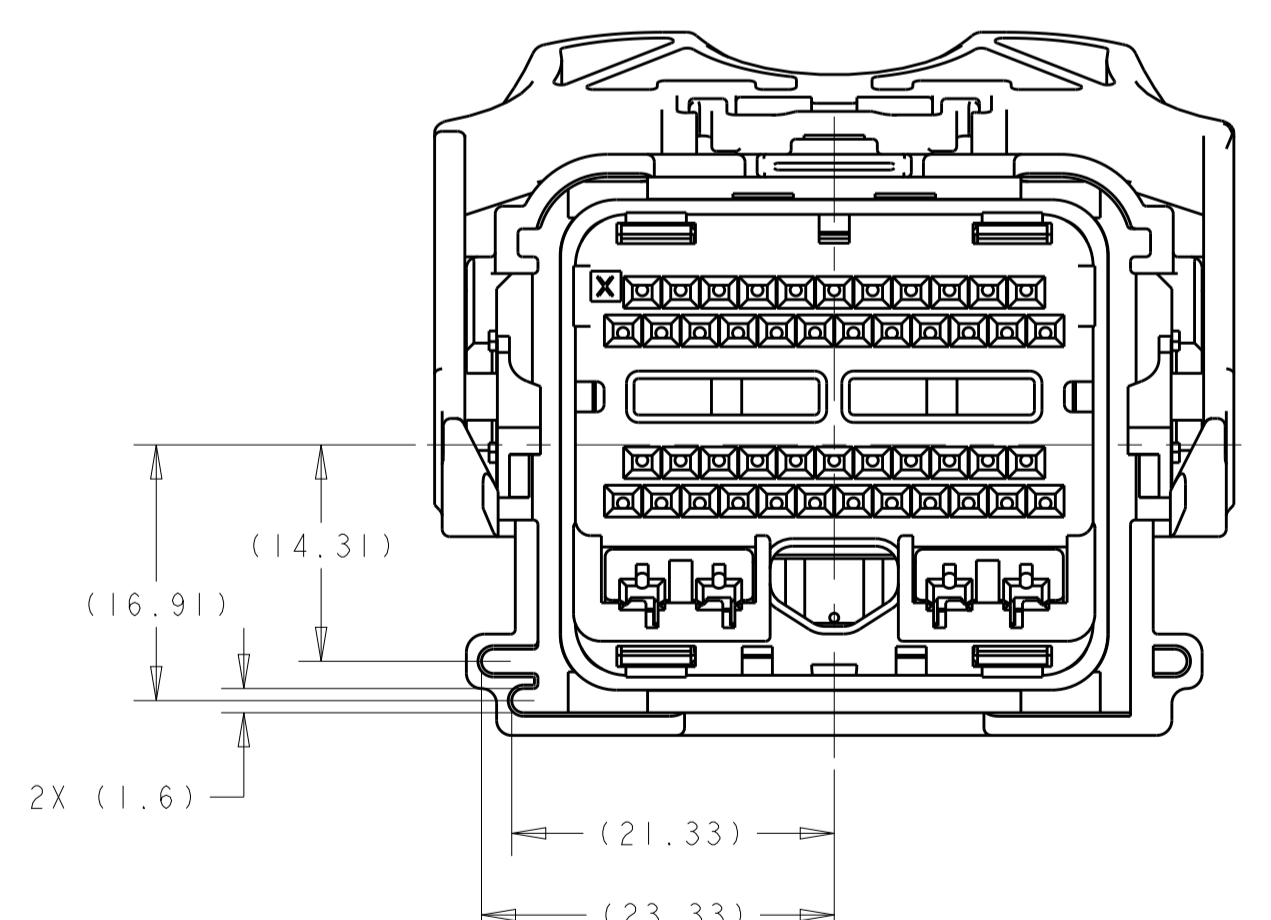
1438129-2  
KEYING OPTION "B"



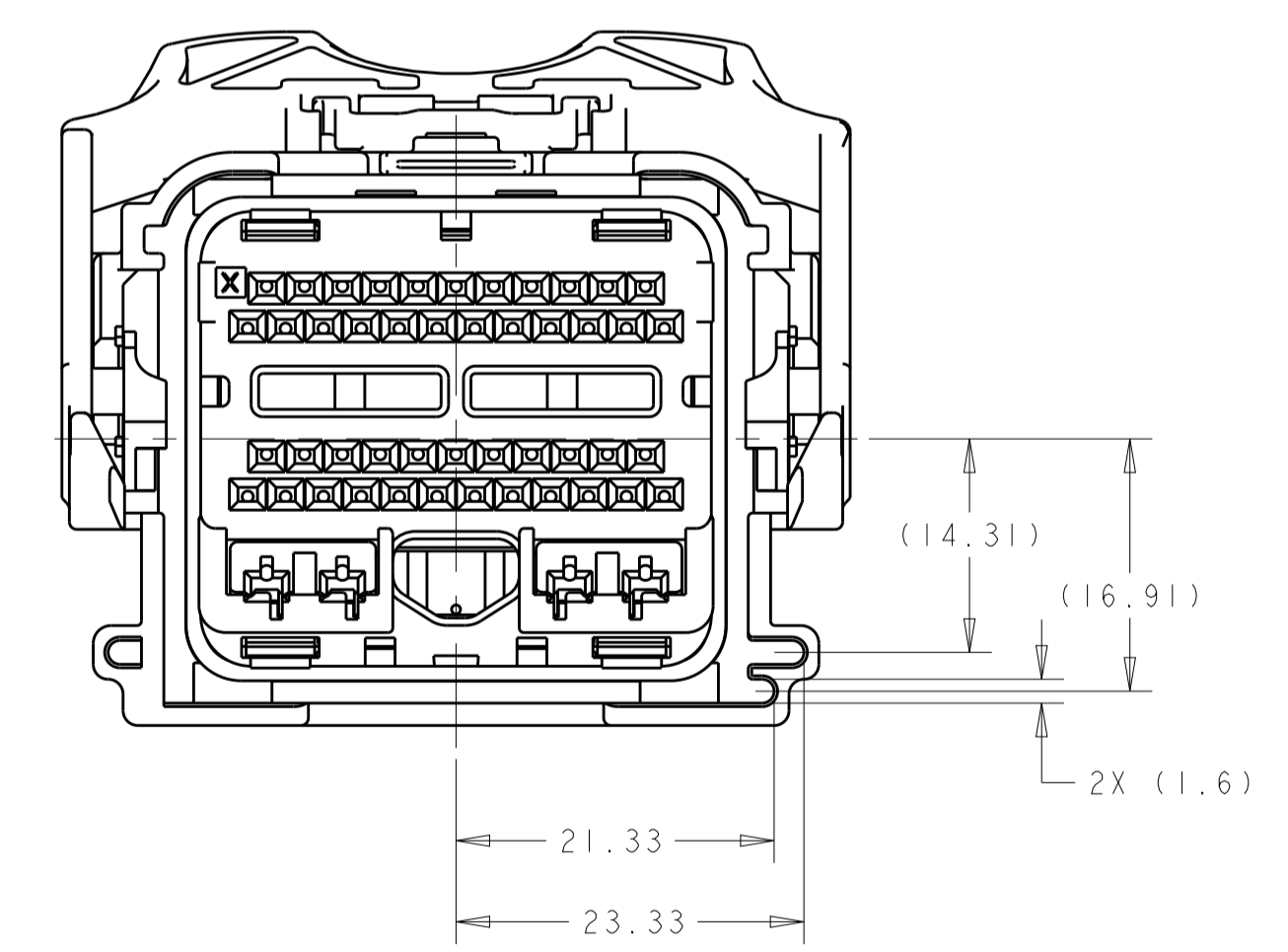
1438129-3  
KEYING OPTION "C"



1438129-4  
KEYING OPTION "D"



1438129-5  
KEYING OPTION "E"



1438129-6  
KEYING OPTION "F"

THIS DRAWING IS A CONTROLLED DOCUMENT.		OWN: R. VESTAL 15APR2005	TE Connectivity
DIMENSIONS: mm		CHK: T. VALASEK 15APR2005	
TOLERANCES UNLESS OTHERWISE SPECIFIED:		APVD: T. VALASEK 15APR2005	NAME: 50-WAY HARNESS ASSEMBLY, PCM
0 PLC ±	1 PLC ±0.3	PRODUCT SPEC	SIZE: CAGE CODE: DRAWING NO:
2 PLC ±0.10	3 PLC ±	APPLICATION SPEC	RESTRICTED TO:
4 PLC ±	ANGLES ±	WEIGHT	A100779C=1438129
MATERIAL	FINISH	CUSTOMER DRAWING	SCALE: 2:1 SHEET 2 OF 10 REV: F36









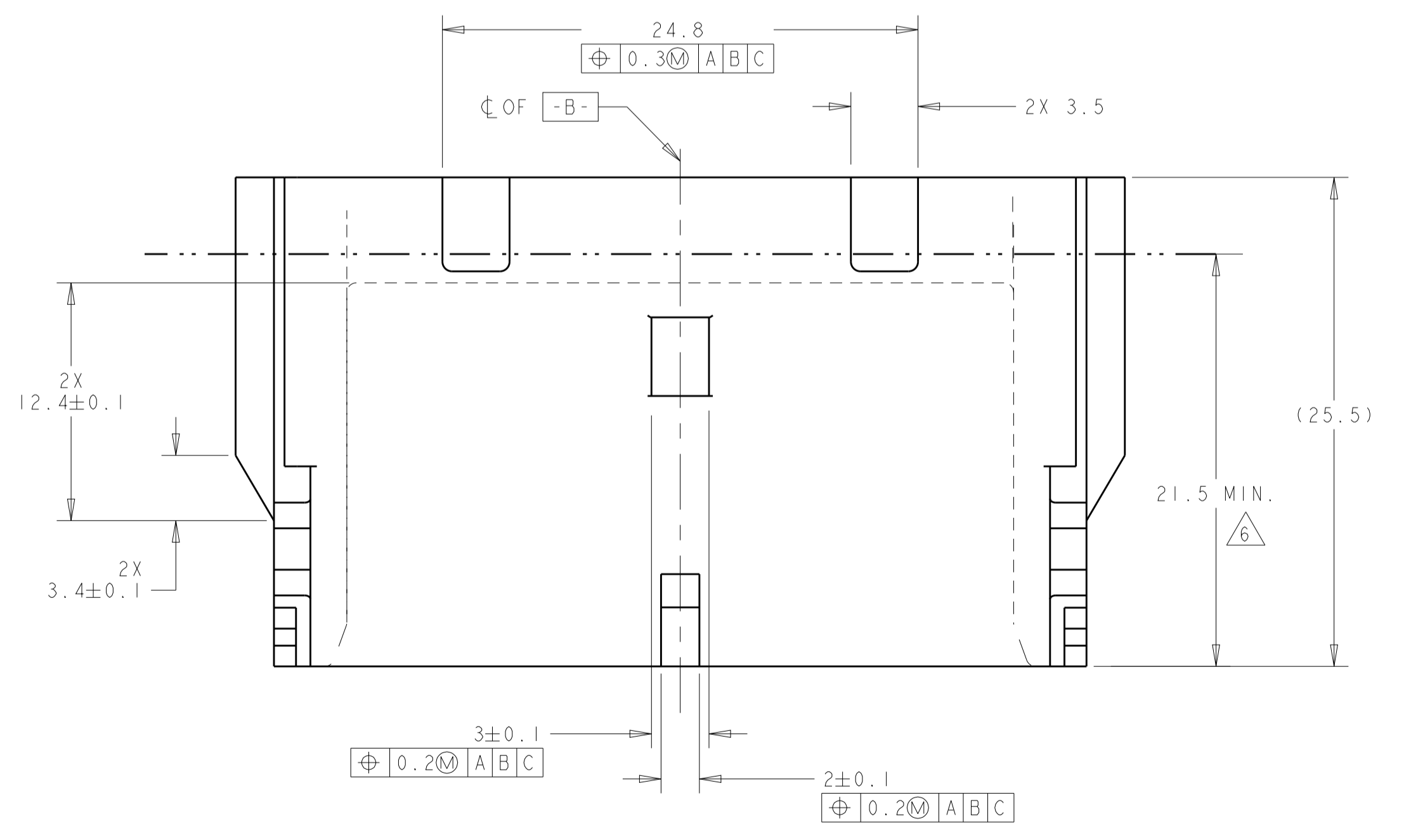
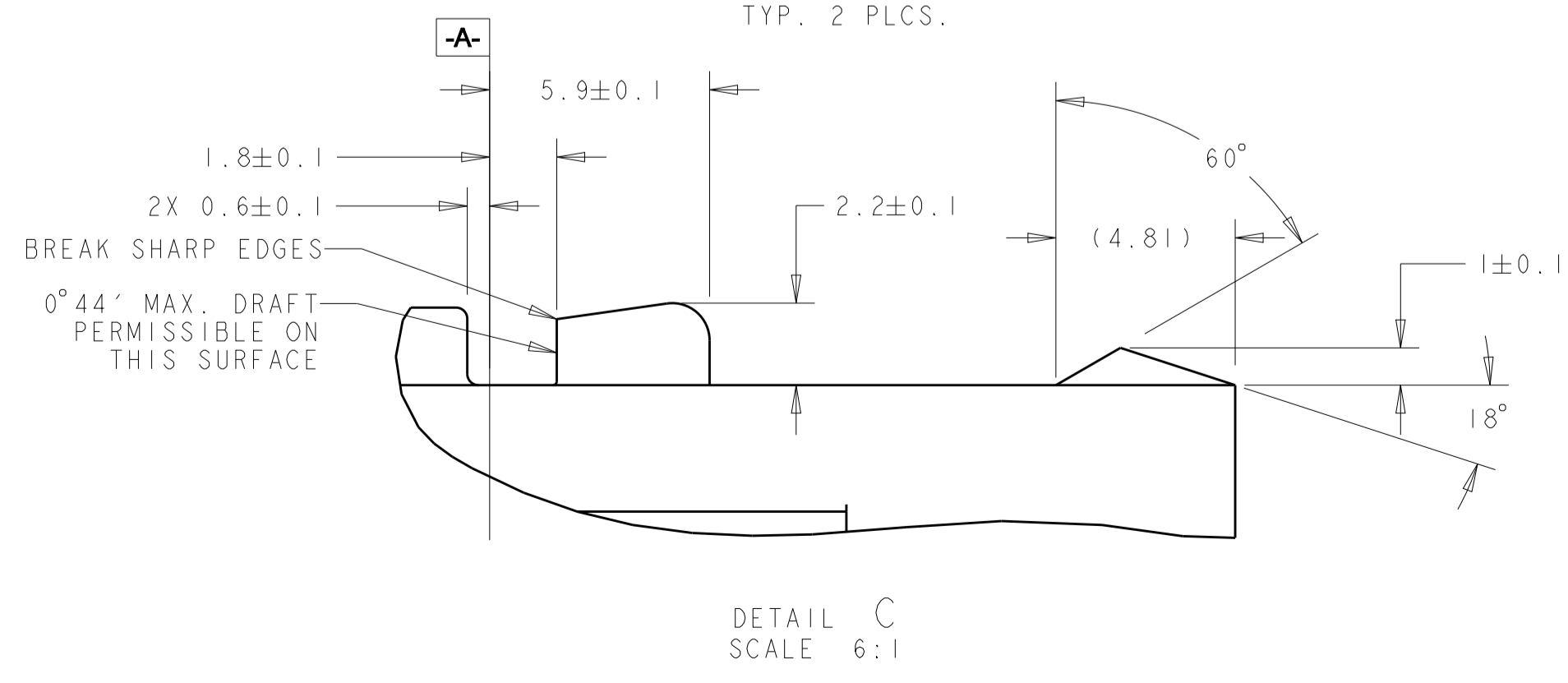
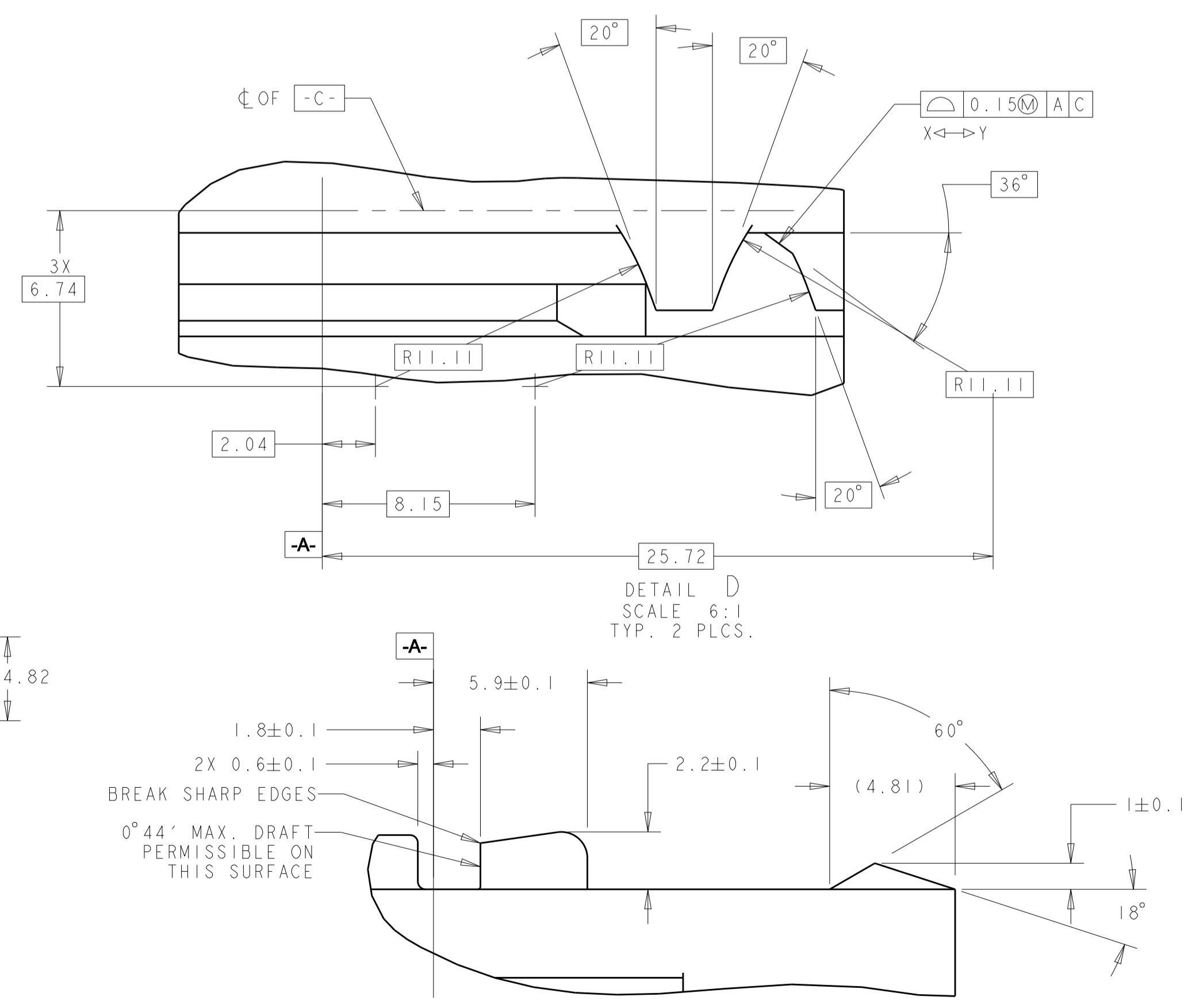
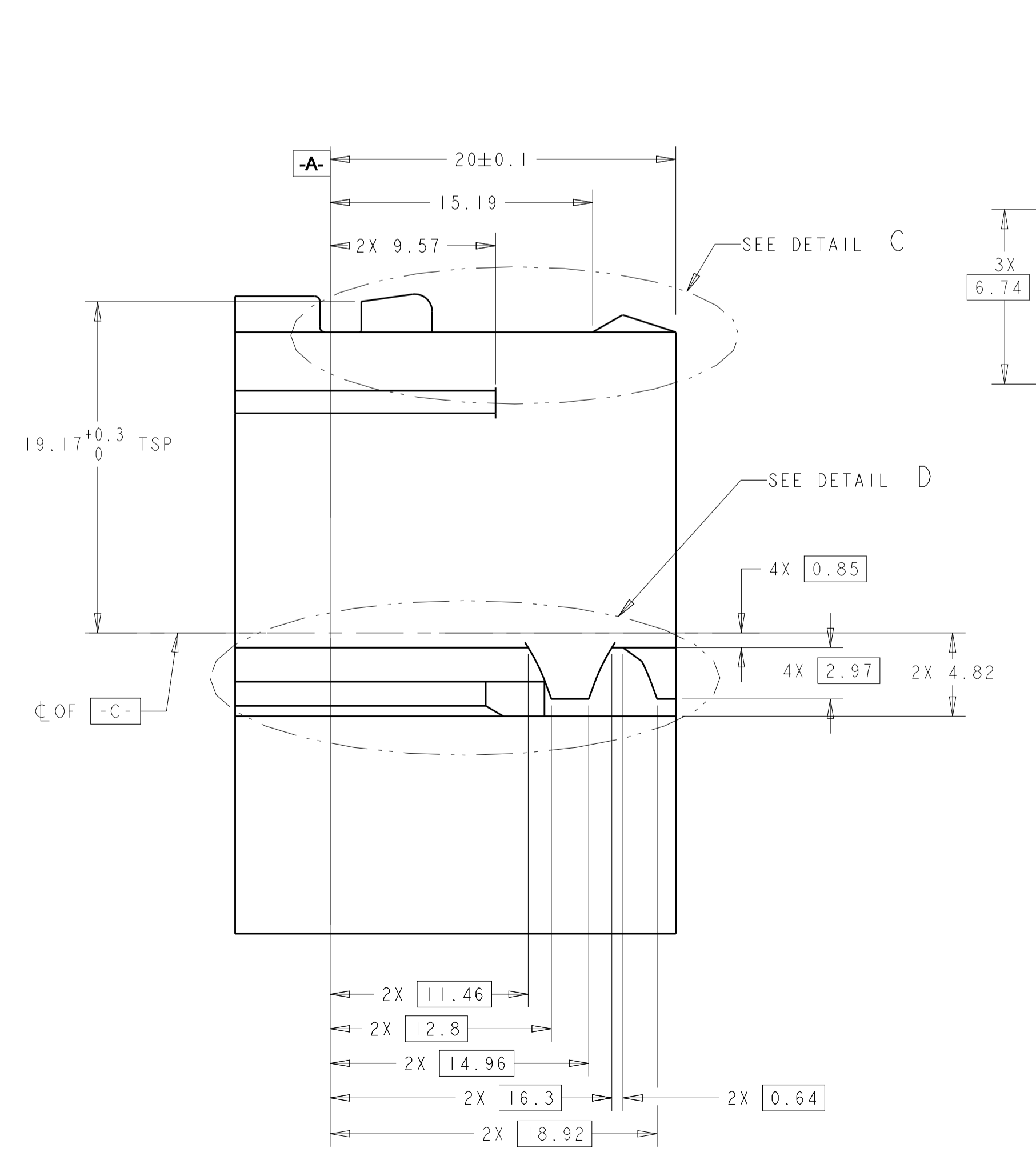
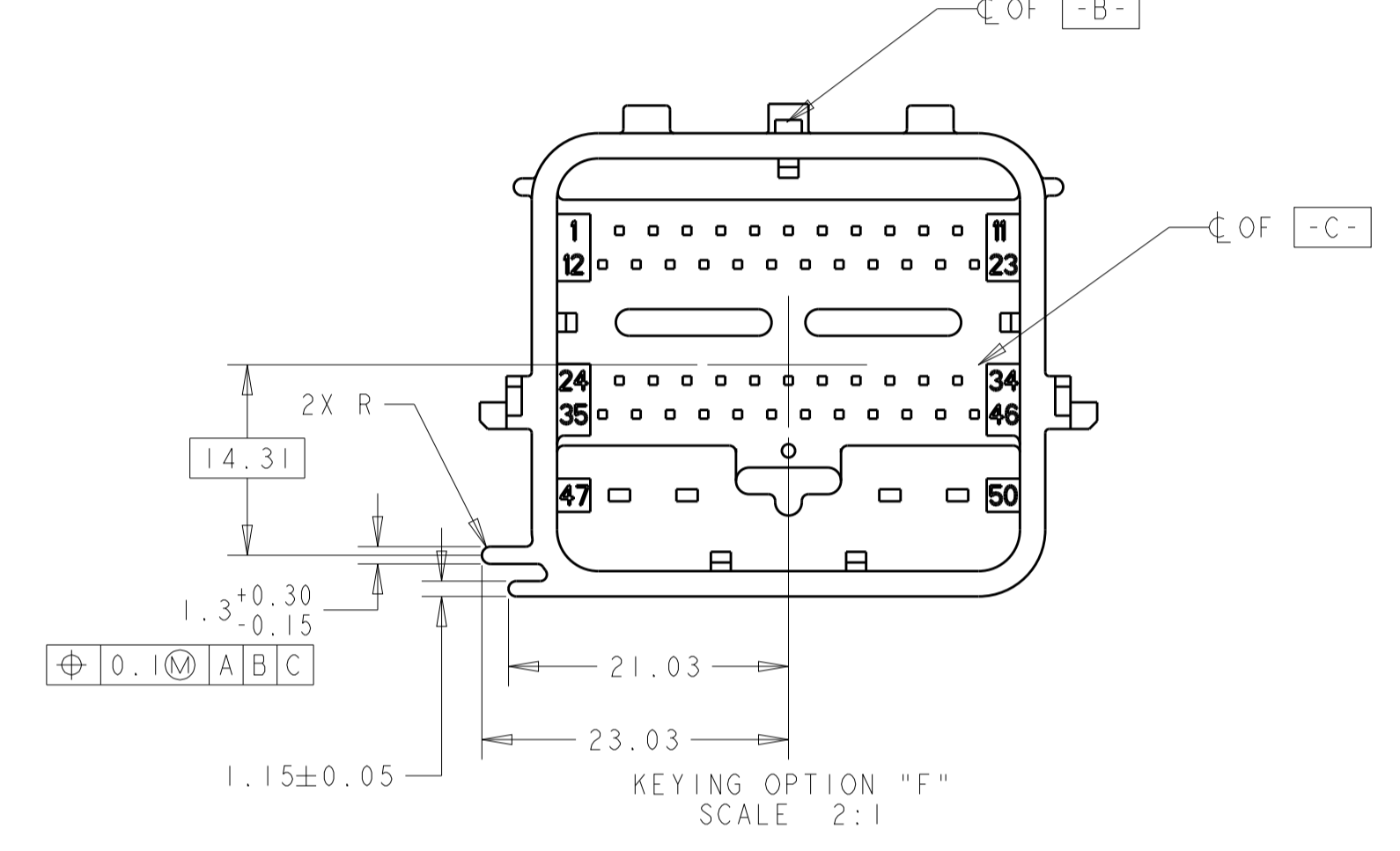
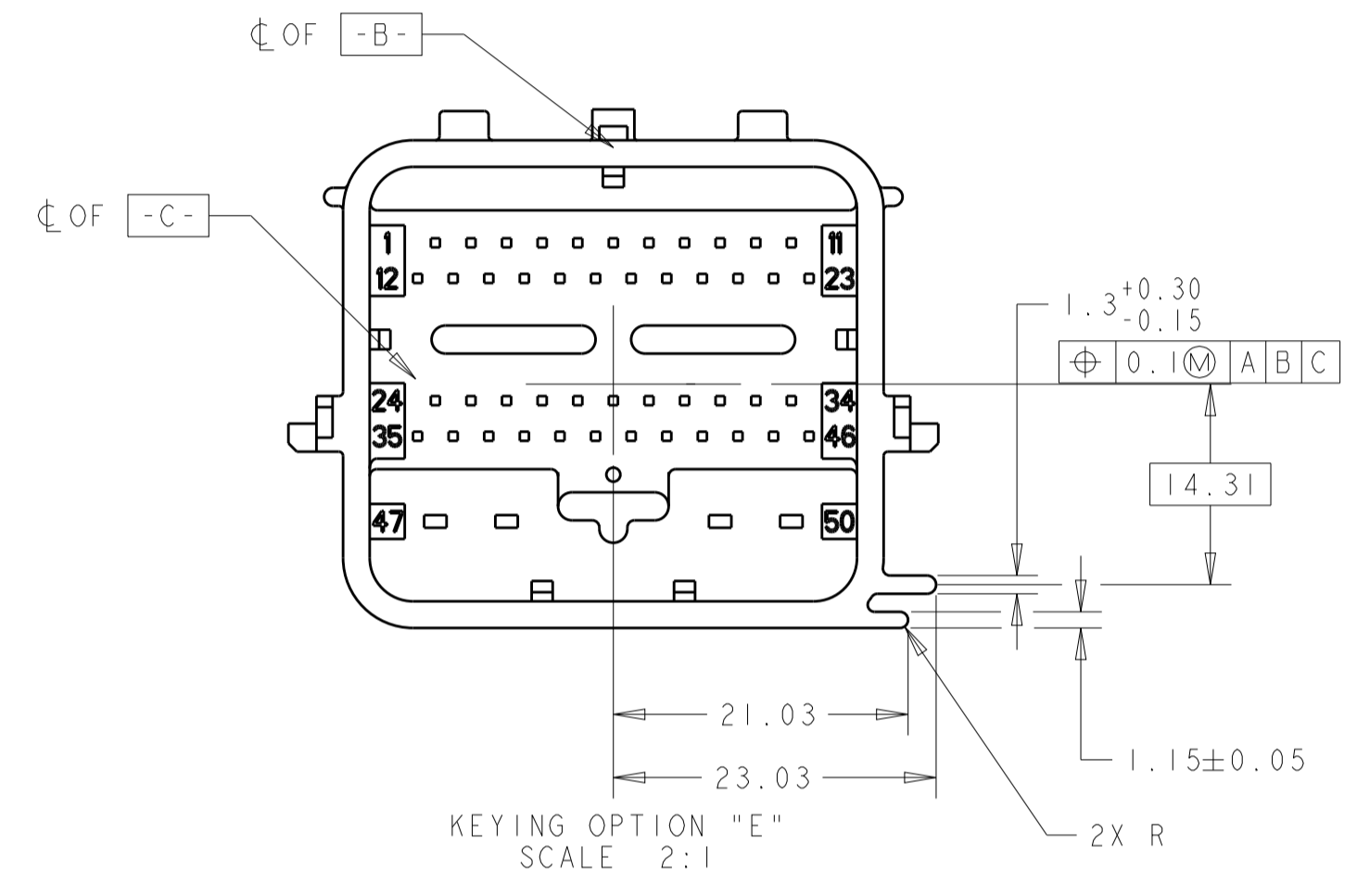
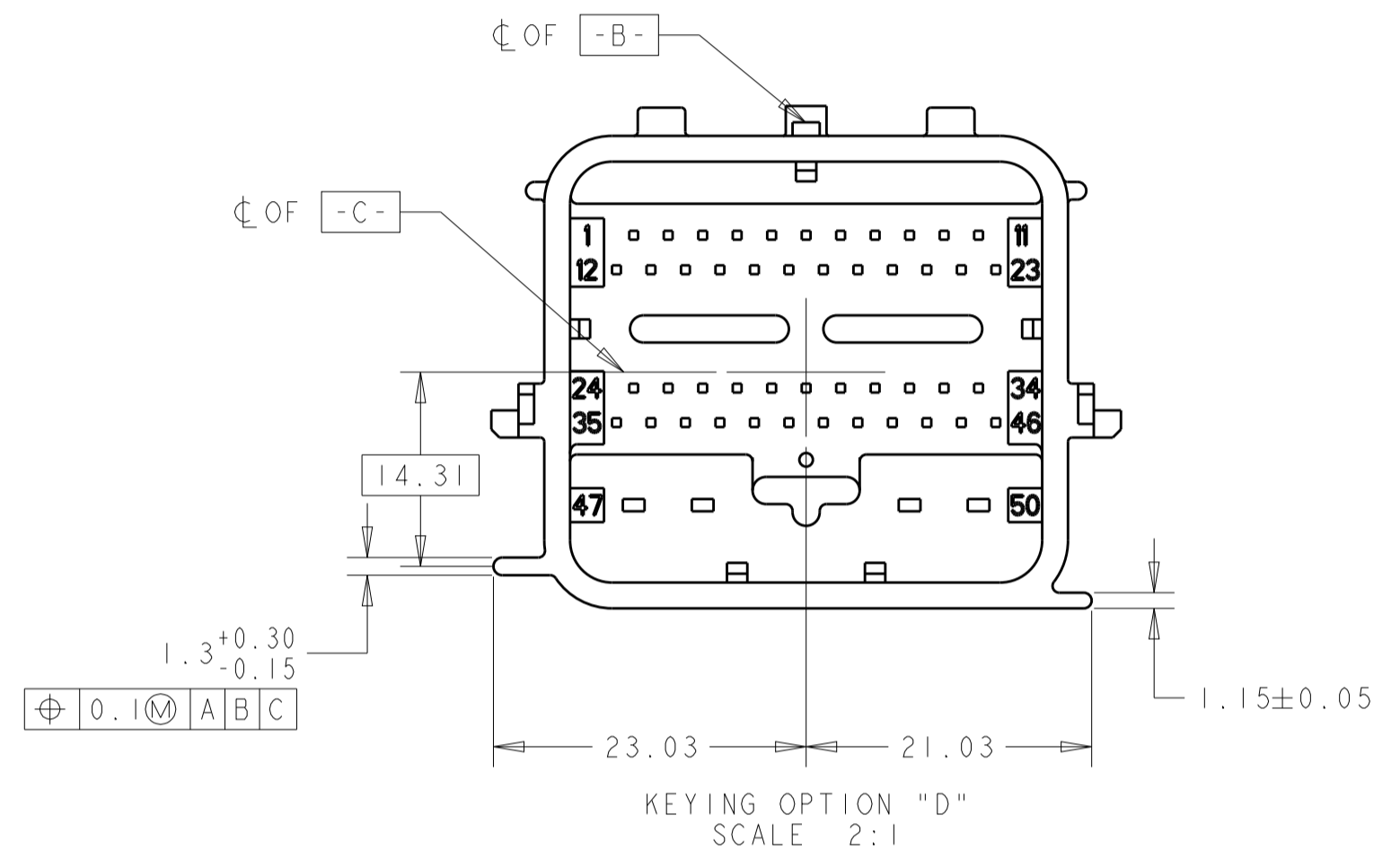
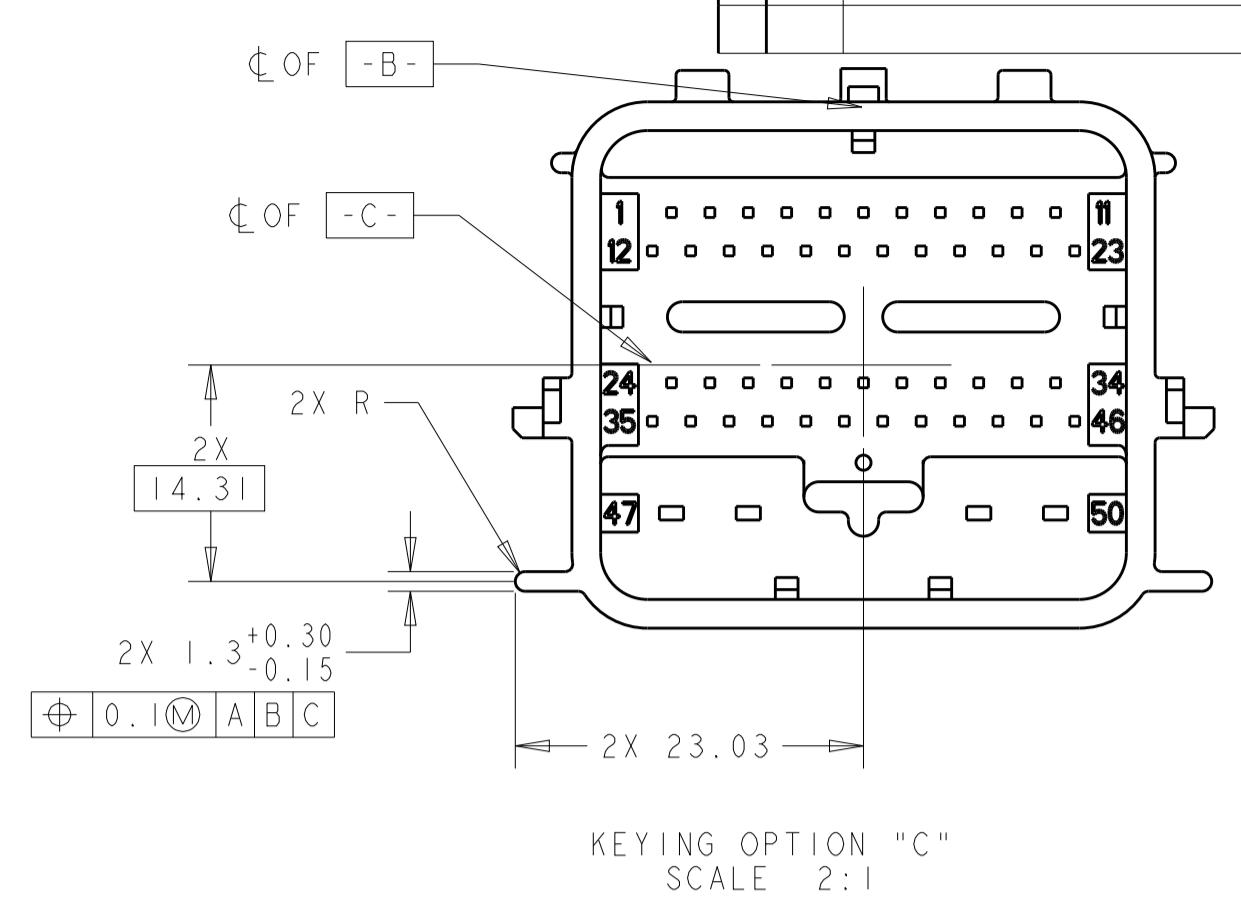
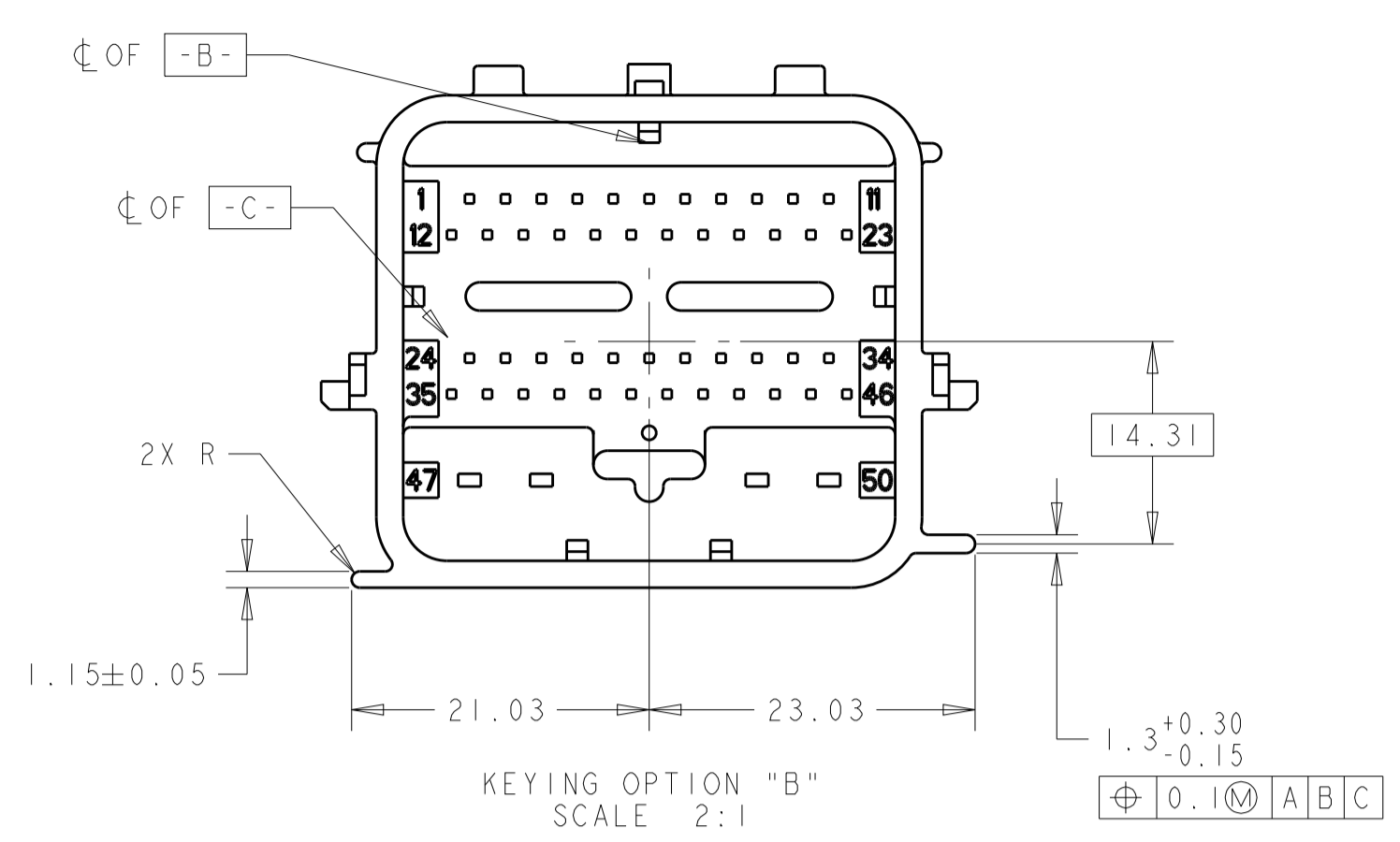
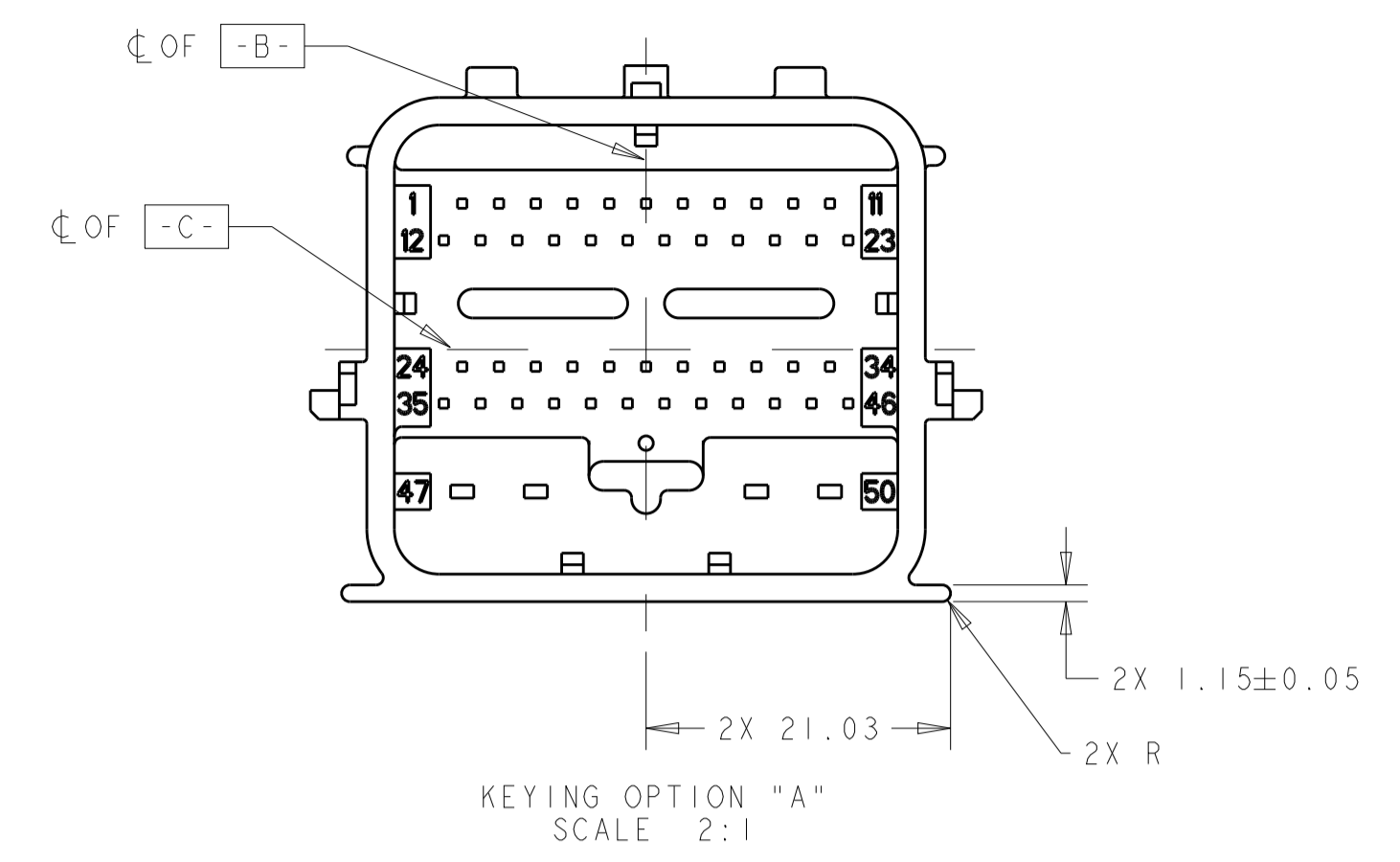






REVISIONS				
P.	LTN.	DESCRIPTION	DATE	OWN. APVD.
-	-	SEE SHEET 1	-	-

### HEADER INTERFACE KEYING OPTIONS



THIS DRAWING IS A CONTROLLED DOCUMENT.		OWN. R. VESTAL 15APR2005	TE Connectivity
DIMENSIONS: mm		CHK. T. VALASEK 15APR2005	
TOLERANCES UNLESS OTHERWISE SPECIFIED:		APVD. T. VALASEK 15APR2005	NAME 50-WAY HARNESS ASSEMBLY, PCM
0 PLC ±		PRODUCT SPEC	SIZE CAGE CODE DRAWING NO. RESTRICTED TO
1 PLC ±0.3		APPLICATION SPEC	A100779C=1438129
2 PLC ±0.10		WEIGHT	SCALE 1:1 SHEET 10 OF 10 REV F36
3 PLC ±		CUSTOMER DRAWING	
4 PLC ±			
ANGLES ±			
FINISH ±			

# Mouser Electronics

Authorized Distributor

Click to View Pricing, Inventory, Delivery & Lifecycle Information:

[TE Connectivity:](#)

[1924783-1](#)