

500mW, 5% Tolerance Zener Diodes

FEATURES

- Wide zener voltage range selection: 2.4V to 75V
- V_Z tolerance selection of $\pm 5\%$
- Compliant to RoHS directive 2011/65/EU and in accordance to WEEE 2002/96/EC
- Halogen-free according to IEC 61249-2-21

APPLICATIONS

- Low voltage stabilizers or voltage references
- Adapters
- Lighting application
- On-board DC/DC converter

MECHANICAL DATA

- Case: Quadro Mini-MELF (LS34)
- Terminal: Matte tin plated leads, solderable per J-STD-002
- Polarity: Indicated by cathode band
- Weight: $29 \pm 2.5\text{mg}$

KEY PARAMETERS		
PARAMETER	VALUE	UNIT
V_Z	2.4-75	V
P_D	500	mW
V_F at $I_F=10\text{mA}$	1	V
T_J Max.	175	$^{\circ}\text{C}$
Package	Quadro Mini-MELF (LS34)	
Configuration	Single die	



ABSOLUTE MAXIMUM RATINGS ($T_A = 25^{\circ}\text{C}$ unless otherwise noted)			
PARAMETER	SYMBOL	VALUE	UNIT
Forward voltage @ $I_F=10\text{mA}$	V_F	1	V
Power dissipation	P_D	500	mW
Junction temperature range	T_J	-65 to +175	$^{\circ}\text{C}$
Storage temperature range	T_{STG}	-65 to +175	$^{\circ}\text{C}$

THERMAL PERFORMANCE			
PARAMETER	SYMBOL	TYP	UNIT
Junction-to-ambient thermal resistance	$R_{\theta JA}$	500	$^{\circ}\text{C}/\text{W}$

ELECTRICAL SPECIFICATIONS ($T_A = 25^\circ\text{C}$ unless otherwise noted)

PART NUMBER	ZENER VOLTAGE			TEST CURRENT	REGULAR IMPEDANCE		TEST CURRENT	LEAKAGE CURRENT	
	$V_Z @ I_{ZT}$			I_{ZT}	$Z_{ZT} @ I_{ZT}$	$Z_{ZK} @ I_{ZK}$	I_{ZK}	$I_R @ V_R$	
	V			mA	Ω	Ω	mA	μA	V
	Min.	Nom.	Max.		Max.	Max.		Max.	
BZT55C2V4	2.4	2.28	2.56	5	85	600	1	50	1
BZT55C2V7	2.7	2.51	2.89	5	85	600	1	10	1
BZT55C3V0	3.0	2.8	3.2	5	85	600	1	4	1
BZT55C3V3	3.3	3.1	3.5	5	85	600	1	2	1
BZT55C3V6	3.6	3.4	3.8	5	85	600	1	2	1
BZT55C3V9	3.9	3.7	4.1	5	85	600	1	2	1
BZT55C4V3	4.3	4.0	4.6	5	75	600	1	1	1
BZT55C4V7	4.7	4.4	5.0	5	60	600	1	0.5	1
BZT55C5V1	5.1	4.8	5.4	5	35	550	1	0.1	1
BZT55C5V6	5.6	5.2	6.0	5	25	450	1	0.1	1
BZT55C6V2	6.2	5.8	6.6	5	10	200	1	0.1	2
BZT55C6V8	6.8	6.4	7.2	5	8	150	1	0.1	3
BZT55C7V5	7.5	7.0	7.9	5	7	50	1	0.1	5
BZT55C8V2	8.2	7.7	8.7	5	7	50	1	0.1	6.2
BZT55C9V1	9.1	8.5	9.6	5	10	50	1	0.1	6.8
BZT55C10	10	9.4	10.6	5	15	70	1	0.1	7.5
BZT55C11	11	10.4	11.6	5	20	70	1	0.1	8.2
BZT55C12	12	11.4	12.7	5	20	90	1	0.1	9.1
BZT55C13	13	12.4	14.1	5	26	110	1	0.1	10
BZT55C15	15	13.8	15.6	5	30	110	1	0.1	11
BZT55C16	16	15.3	17.1	5	40	170	1	0.1	12
BZT55C18	18	16.8	19.1	5	50	170	1	0.1	13
BZT55C20	20	18.8	21.1	5	55	220	1	0.1	15
BZT55C22	22	20.8	23.3	5	55	220	1	0.1	16
BZT55C24	24	22.8	25.6	5	80	220	1	0.1	18
BZT55C27	27	25.1	28.9	5	80	220	1	0.1	20
BZT55C30	30	28	32	5	80	220	1	0.1	22
BZT55C33	33	31	35	5	80	220	1	0.1	24
BZT55C36	36	34	38	5	80	220	1	0.1	27
BZT55C39	39	37	41	2.5	90	500	0.5	0.1	28
BZT55C43	43	40	46	2.5	90	600	0.5	0.1	32
BZT55C47	47	44	50	2.5	110	700	0.5	0.1	35
BZT55C51	51	48	54	2.5	125	700	0.5	0.1	38
BZT55C56	56	52	60	2.5	135	1,000	0.5	0.1	42
BZT55C62	62	58	66	2.5	150	1,000	0.5	0.1	47
BZT55C68	68	64	72	2.5	160	1,000	0.5	0.1	51
BZT55C75	75	70	79	2.5	170	1,000	0.5	0.1	56

Notes:

1. The zener voltage (V_Z) is tested under pulse condition of 30ms
2. The device numbers listed have a standard tolerance on the nominal zener voltage of $\pm 5\%$
3. For detailed information on price, availability and delivery of nominal zener voltages between the voltages shown and tighter voltage tolerances, contact your nearest Taiwan Semiconductor representative
4. The zener impedance is derived from the 60-cycle ac voltage, which results when an ac current having an rms value equal to 10% of the DC zener current (I_{ZT} or I_{ZK}) is superimposed to I_{ZT} or I_{ZK}

ORDERING INFORMATION		
PART NO. (Note)	PACKAGE	PACKING
BZT55Cxxx L0	Quadro Mini-MELF	10K / 13" Reel
BZT55Cxxx L0G	Quadro Mini-MELF	10K / 13" Reel
BZT55Cxxx L1	Quadro Mini-MELF	2.5K / 7" Reel
BZT55Cxxx L1G	Quadro Mini-MELF	2.5K / 7" Reel

Note:

"xxx" defines voltage from 2.4V (BZT55C2V4) to 75V (BZT55C75)

CHARACTERISTICS CURVES

($T_A = 25^\circ\text{C}$ unless otherwise noted)

Fig. 1 Typical Forward Characteristics

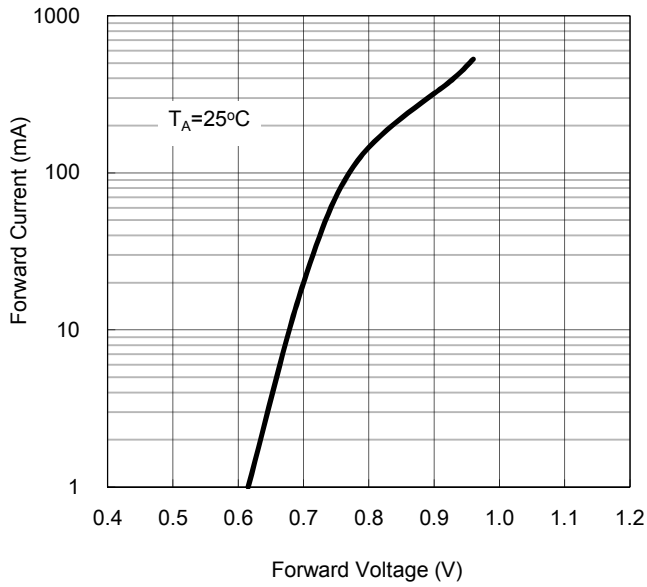


Fig. 2 Admissible Power Dissipation Curve

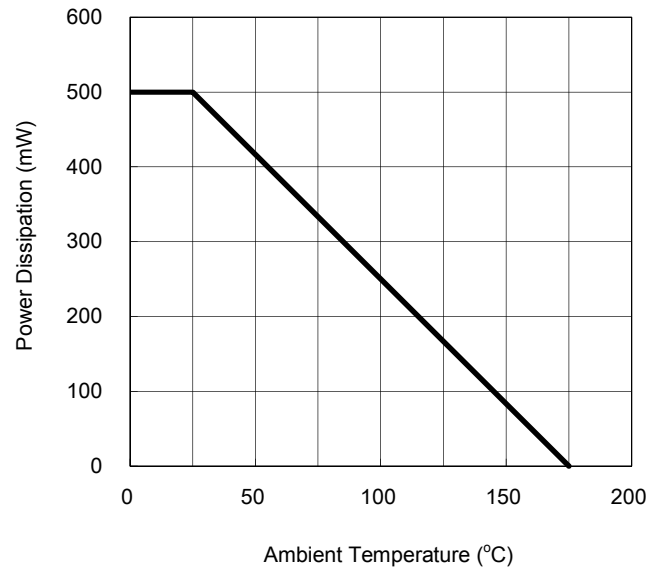
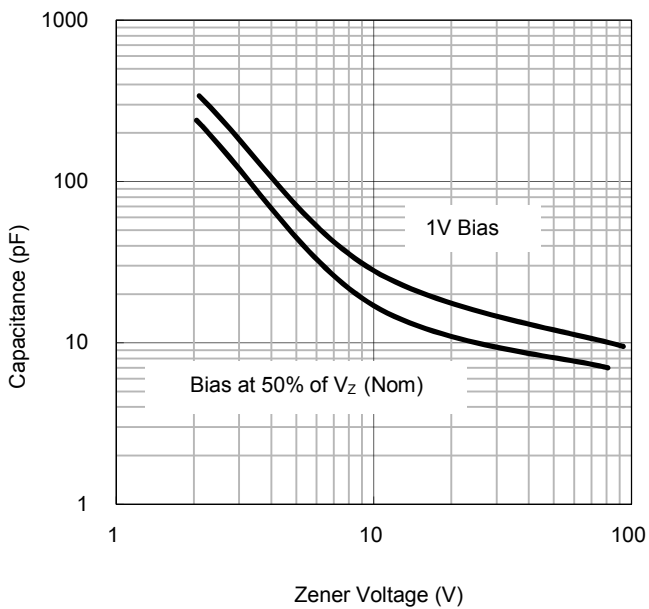
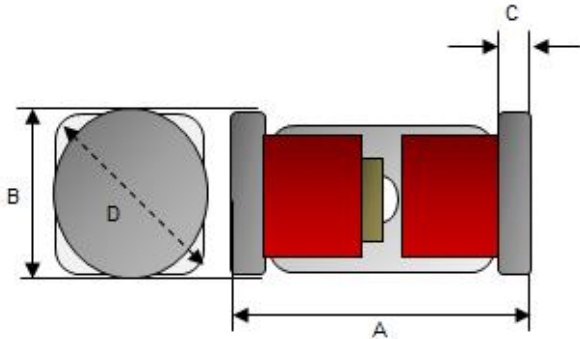


Fig. 3 Typical Capacitance



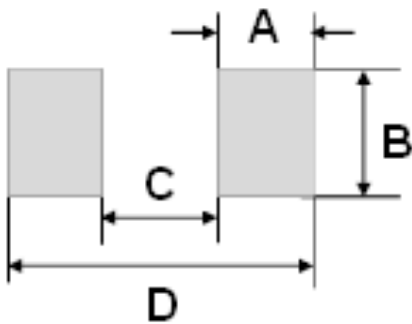
PACKAGE OUTLINE DIMENSION

Quadro Mini-MELF



DIM.	Unit (mm)		Unit (inch)	
	Min	Max	Min	Max
A	3.30	3.70	0.130	0.146
B	1.40	1.60	0.055	0.063
C	0.20	0.45	0.008	0.018
D	1.8 TYP.		0.071 TYP.	

SUGGEST PAD LAYOUT



DIM.	Unit (mm)	Unit (inch)
	Typ.	Typ.
A	1.25	0.049
B	2.00	0.079
C	2.50	0.098
D	5.00	0.197

Notice

Specifications of the products displayed herein are subject to change without notice. TSC or anyone on its behalf, assumes no responsibility or liability for any errors or inaccuracies.

Information contained herein is intended to provide a product description only. No license, express or implied, to any intellectual property rights is granted by this document. Except as provided in TSC's terms and conditions of sale for such products, TSC assumes no liability whatsoever, and disclaims any express or implied warranty, relating to sale and/or use of TSC products including liability or warranties relating to fitness for a particular purpose, merchantability, or infringement of any patent, copyright, or other intellectual property right.

The products shown herein are not designed for use in medical, life-saving, or life-sustaining applications. Customers using or selling these products for use in such applications do so at their own risk and agree to fully indemnify TSC for any damages resulting from such improper use or sale.

Mouser Electronics

Authorized Distributor

Click to View Pricing, Inventory, Delivery & Lifecycle Information:

Taiwan Semiconductor:

[BZT55C10](#) [BZT55C11](#) [BZT55C12](#) [BZT55C13](#) [BZT55C15](#) [BZT55C16](#) [BZT55C18](#) [BZT55C20](#) [BZT55C22](#)
[BZT55C24](#) [BZT55C27](#) [BZT55C2V0](#) [BZT55C2V2](#) [BZT55C2V4](#) [BZT55C2V7](#) [BZT55C30](#) [BZT55C33](#) [BZT55C36](#)
[BZT55C39](#) [BZT55C3V0](#) [BZT55C3V3](#) [BZT55C3V6](#) [BZT55C3V9](#) [BZT55C43](#) [BZT55C47](#) [BZT55C4V3](#) [BZT55C4V7](#)
[BZT55C51](#) [BZT55C56](#) [BZT55C5V1](#) [BZT55C5V6](#) [BZT55C62](#) [BZT55C68](#) [BZT55C6V2](#) [BZT55C6V8](#) [BZT55C75](#)
[BZT55C7V5](#) [BZT55C8V2](#) [BZT55C9V1](#) [BZT55C11 L1G](#) [BZT55C3V0 L1G](#) [BZT55C24 L1G](#) [BZT55C3V9 L1G](#)
[BZT55C13 L1G](#) [BZT55C39 L1G](#) [BZT55C7V5 L1G](#) [BZT55C75 L1G](#) [BZT55C3V3 L1G](#) [BZT55C15 L1G](#) [BZT55C4V7](#)
[L1G](#) [BZT55C62 L1G](#) [BZT55C68 L1G](#) [BZT55C22 L1G](#) [BZT55C2V4 L1G](#) [BZT55C33 L1G](#) [BZT55C2V7 L1G](#)
[BZT55C12 L1G](#) [BZT55C5V6 L1G](#) [BZT55C5V1 L1G](#) [BZT55C56 L1G](#) [BZT55C20 L1G](#) [BZT55C6V2 L1G](#) [BZT55C27](#)
[L1G](#) [BZT55C43 L1G](#) [BZT55C3V6 L1G](#) [BZT55C47 L1G](#) [BZT55C10 L1G](#) [BZT55C51 L1G](#) [BZT55C6V8 L1G](#)
[BZT55C9V1 L1G](#) [BZT55C4V3 L1G](#) [BZT55C36 L1G](#) [BZT55C8V2 L1G](#) [BZT55C16 L1G](#) [BZT55C18 L1G](#) [BZT55C30](#)
[L1G](#) [BZT55C11 L1](#) [BZT55C20 L1](#) [BZT55C3V6 L1](#) [BZT55C36 L1](#) [BZT55C15 L1](#) [BZT55C62 L1](#) [BZT55C6V2 L1](#)
[BZT55C56 L1](#) [BZT55C6V8 L1](#) [BZT55C9V1 L1](#) [BZT55C47 L1](#) [BZT55C2V7 L1](#) [BZT55C22 L1](#) [BZT55C43 L1](#)
[BZT55C33 L1](#) [BZT55C68 L1](#) [BZT55C10 L1](#) [BZT55C30 L1](#) [BZT55C16 L1](#) [BZT55C5V6 L1](#) [BZT55C51 L1](#)
[BZT55C3V3 L1](#) [BZT55C27 L1](#) [BZT55C75 L1](#)