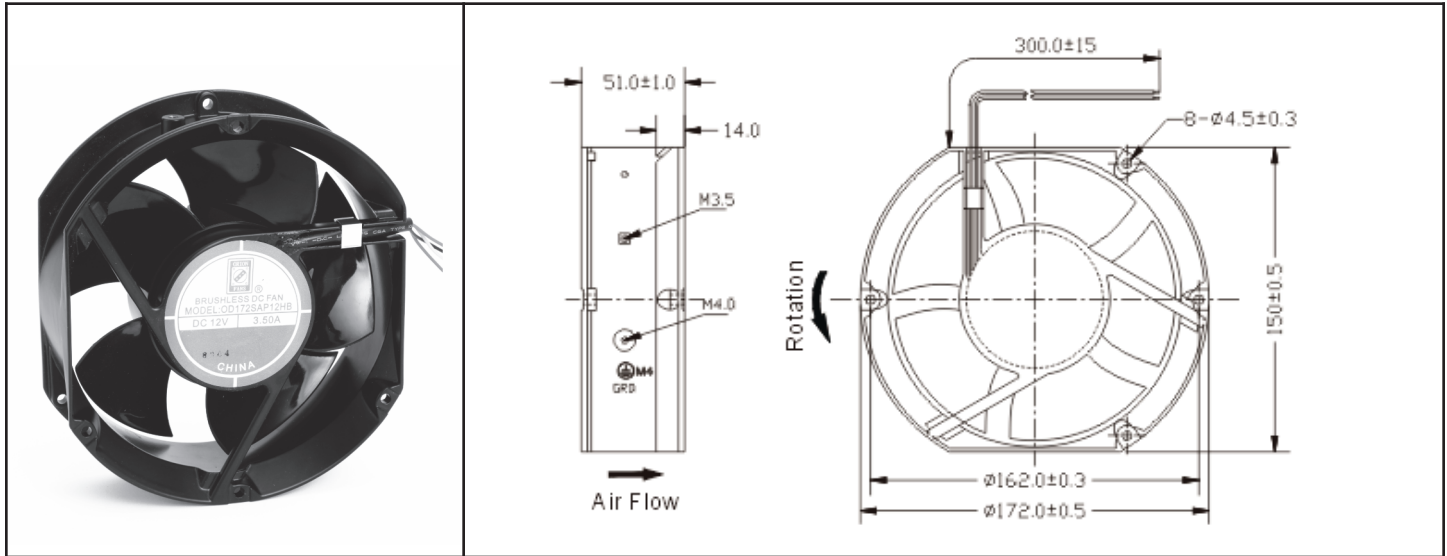


OD172S XC Series



DC Fan - High Performance 12, 24 48V
172x150x51mm (6.7"x 5.9"x 2.0")



| | | | |
|-----------------------|---|---|--|
| Frame | Diecast Aluminum | Available Options: Alarm Tachometer PWM m4 | |
| Impeller | PBT, UL94V-2 plastic | | |
| Connection | 2x Lead wires, AWG22 | | |
| Motor | Brushless DC, auto restart, polarity protected | | |
| Bearing System | Dual ball bearing | | |
| Insulation Resistance | 10M ohm between leadwire and frame (500VDC) | | |
| Dielectric Strength | 1 minute at 500 VAC, max leakage < 500 MicroAmp | | |
| Temperature Range | -20C ~ +75C | | |
| Life (L10) | 65,000 hours (45C) | | |
| Weight | ~1.63 lbs | | |
| Storage Temperature | -40C ~ +80C | | |

| Model Number | Speed (RPM) | Airflow (CFM) | Noise (dB) | Volts DC | Voltage Range | Amps | Max. Static Pressure ("H ₂ O) |
|-----------------|-------------|---------------|------------|----------|---------------|------|--|
| OD172SAP-12HBXC | 3900 | 277 | 62 | 12 | 9~14 | 3.50 | 1.14 |
| OD172SAP-12MBXC | 3400 | 232 | 59 | 12 | 9~14 | 2.40 | 0.92 |
| OD172SAP-24HBXC | 4600 | 307 | 67 | 24 | 12~28 | 2.30 | 1.60 |
| OD172SAP-48HBXC | 4600 | 307 | 67 | 48 | 24~55 | 1.20 | 1.60 |

Mouser Electronics

Authorized Distributor

Click to View Pricing, Inventory, Delivery & Lifecycle Information:

Orion Fans:

[OD172SAP-48HBXC](#) [OD172SAP-24HBXC](#) [OD172SAP-12HBXC](#) [OD172SAP-12MBXC](#)