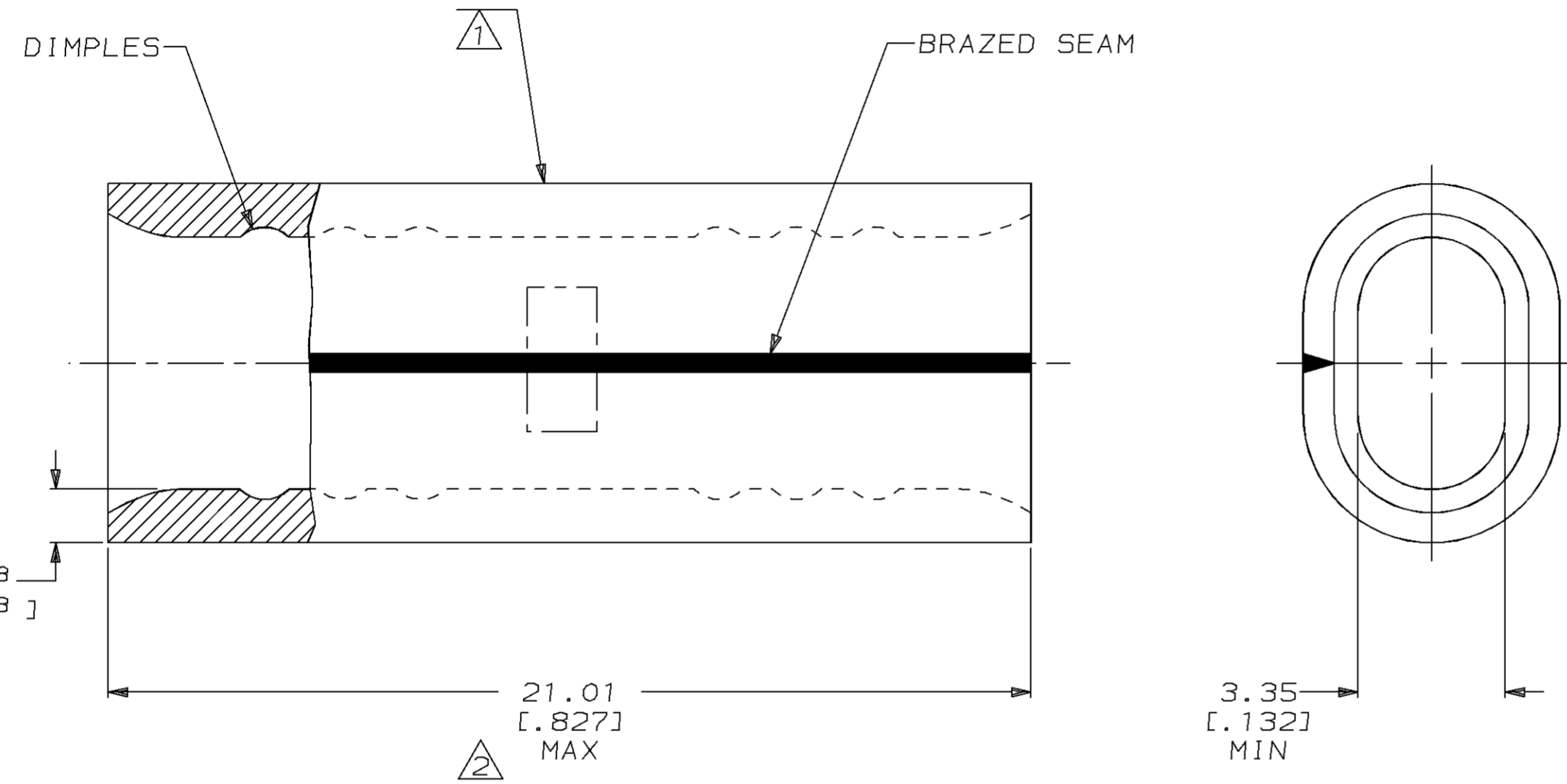


THIS DRAWING IS UNPUBLISHED. RELEASED FOR PUBLICATION ,19 .
 © COPYRIGHT 19 BY AMP INCORPORATED. ALL INTERNATIONAL RIGHTS RESERVED.

| LOC | | DIST | | P | | F | | REVISIONS | | DATE | APPD |
|------|-----|-------------|--|------|------|-----|--------------------------|-----------|-----|------|------|
| ZONE | LTR | DESCRIPTION | | DATE | APPD | CHK | | | | | |
| G | 14 | | | | | C | REVISED PER 0720-0202-94 | 05OCT94 | OKS | CHK | |

METRIC
 DIMENSIONS LISTED IN mm [INCHES]

| | |
|----------------------------|---------------------------|
| AMP WIRE RANGE | E13288 Listed |
| 8 AWG SOLID OR STRANDED | NOT APPROVED |
| LR7189 Certified | MILITARY P/N AND CLASS |
| 8 AWG SOLID OR STRANDED | NOT APPLICABLE |



- ① STAMP AMP 8W* APPROX AS SHOWN
- ② MAXIMUM LENGTH DOES NOT INCLUDE MANUFACTURING TABS

| | | | | | | |
|--|--|---|--|----------------------------|--|--------------------|
| AMP INCORPORATED CUSTOMER SERVICE SYSTEMS | | MAX RECOMMENDED OPERATING TEMPERATURE: 170°C MAX | DO NOT SCALE PRINT. UNLESS SPECIFIED DIMENSIONS IN mm [INCHES] TOLERANCES ON: 2 PLC DEC ± - 3 PLC DEC ± - ANGLES ± - | DR 4/28/94 DK SCHRUM | AMP AMP Incorporated Harrisburg, PA 17105-3608 | |
| FOR ADDITIONAL PRODUCT INFORMATION OR COPIES OF DRAWINGS AND TECHNICAL DOCUMENTS | PRODUCT INFORMATION CENTER 1-800-522-6752 | VOLTAGE RATING: NOT APPLICABLE | MATERIAL COPPER PER ASTM B-152 ANNEALED | CHK 5/5/94 DA PATTERSON | NAME SPLICE, BUTT, STANDARD, OVALED, SOLISTRAND™ | |
| FOR APPLICATION TOOLING INFORMATION | TOOLING ASSISTANCE CENTER 1-800-722-1111 | WIRE CROSS SECTIONAL AREA RANGE: 6.64-10.50mm ² [13,100-20,800] CIR MILS SOLID OR STRANDED | FINISH TIN PLATE 0.00254[.000100] MIN THK PER MIL-T-10727 | APPD 5/5/94 CH KULYNYCH | SIZE C | CAGE CODE 00779 |
| FOR ORDER ENTRY | 1-800-526-5142 | THIS DRAWING IS A CONTROLLED DOCUMENT FOR AMP INCORPORATED. IT IS SUBJECT TO CHANGE AND THE CONTROLLING ENGINEERING ORGANIZATION SHOULD BE CONTACTED FOR THE LATEST REVISION. | | APPD 5/5/94 JL MECKLEY | DRAWING NO G=51892 | |
| | | | | PRODUCT SPEC - | SCALE 8:1 | SHEET 1 OF 1 |

Mouser Electronics

Authorized Distributor

Click to View Pricing, Inventory, Delivery & Lifecycle Information:

[TE Connectivity:](#)

[51892](#)