

# HTZ150C Series

$I_{F(AV)} = 3.0 \text{ A}$   
 $V_{RRM} = 9600 \text{ V}$

# High Voltage Diode Rectifier Module

# LARONTROL

Electronic Devices

Type Number	Repetitive Peak	Minimum Avalanche Voltage $V_{(BR)R}$
HTZ150C9K	9600	10200
HTZ150C8K	8400	9000
HTZ150C7K	7200	7800
HTZ150C6K	6000	6600

CIRCUIT DIAGRAM

Centre Tap

### CURRENT RATINGS - AIR COOLED

$I_{F(AV)}$	Mean forward current	Half wave resistive load $T_{amb} = 35^\circ\text{C}$	3.0	A
$I_F$	Continuous (direct) forward current	$T_{amb} = 35^\circ\text{C}$	3.6	A
$R_{th(j-a)}$	Thermal resistance junction to ambient		6.5	$^\circ\text{C/W}$

### CURRENT RATINGS - OIL COOLED

$I_{F(AV)}$	Mean forward current	Half wave resistive load $T_{oil} = 60^\circ\text{C}$	6.5	A
$I_T$	Continuous (direct) forward current	$T_{oil} = 60^\circ\text{C}$	7.0	A
$R_{th(j-o)}$	Thermal resistance junction to oil		2.0	$^\circ\text{C/W}$

### SURGE RATINGS

$I^2t$	$I^2t$ for fusing	10 ms half sine $T_{vj} = 150^\circ\text{C}$	50	$\text{A}^2\text{sec}$
$I_{FSM}$	Surge (non-repetitive) forward current	$T_{vj} = 150^\circ\text{C}$	100	A

### TEMPERATURE AND FREQUENCY RATINGS

$T_{vj}$	Virtual junction temperature	Forward (conducting)	180	$^\circ\text{C}$
		Reverse (blocking)	180	$^\circ\text{C}$
$T_{stg}$	Storage temperature range		-40 to 100	$^\circ\text{C}$
f	Frequency range		20 to 400	Hz

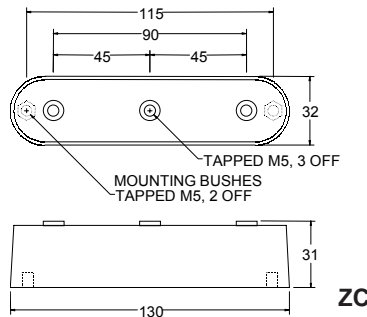
### CHARACTERISTICS $T_{case} = 25^\circ\text{C}$ unless otherwise stated

$V_{FM}$	Forward voltage	At 2 Amps peak	max 6.0	V
$I_{RM}$	Peak reverse current	At $V_{RRM}$ ; $T_{case} = 150^\circ\text{C}$	max 0.5	mA

### Dimensioned Outlines

Dimensions shown are maximum in mm

Weight typ.: 0,24 Kg



ZC

IXYS reserves the right to change limits, test conditions and dimensions.

Issue 1 June 1998

Distributed by

USA  
 3540 Bassett Street  
 Santa Clara, CA 95054  
 Phone: (408) 982-0700  
 FAX: (408) 496-0670

EUROPE  
 IXYS Semiconductor GmbH  
 Lampertheim Germany  
 Phone: +49.6206.503.0  
 Fax: +49.6206.503.627

**IXYS**  
[www.IXYS.net](http://www.IXYS.net)

# HTZ150C Series

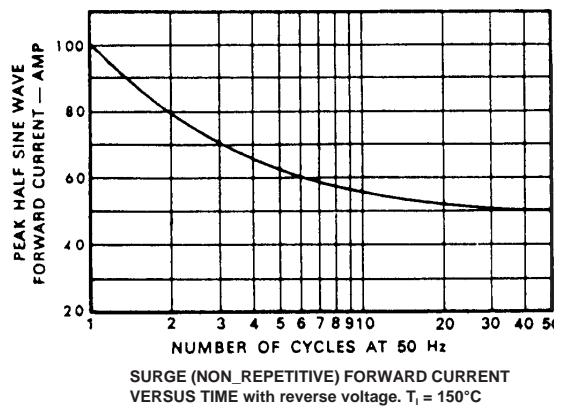
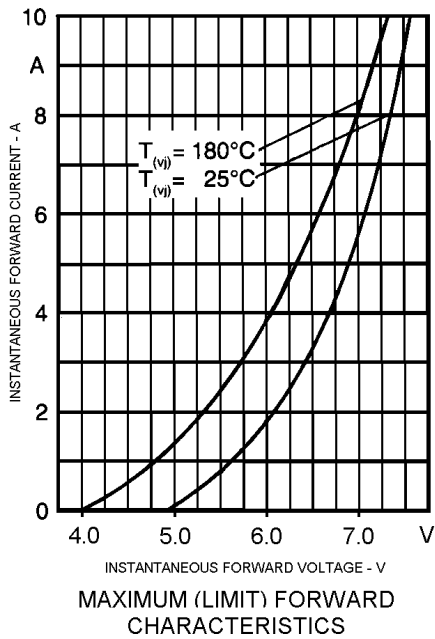
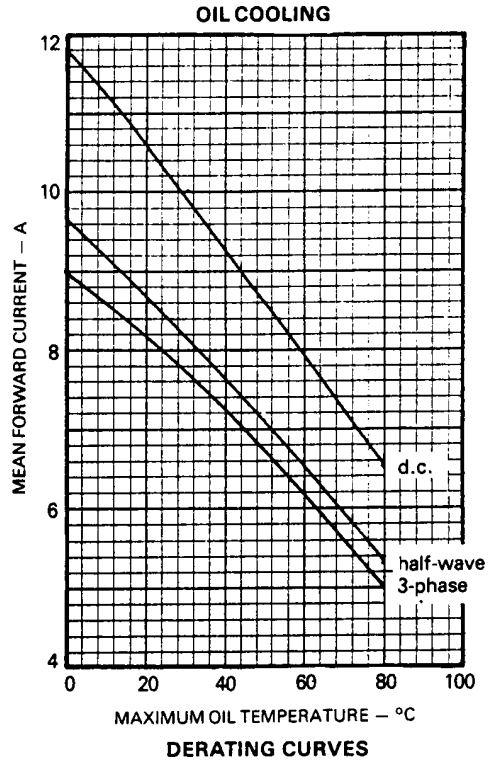
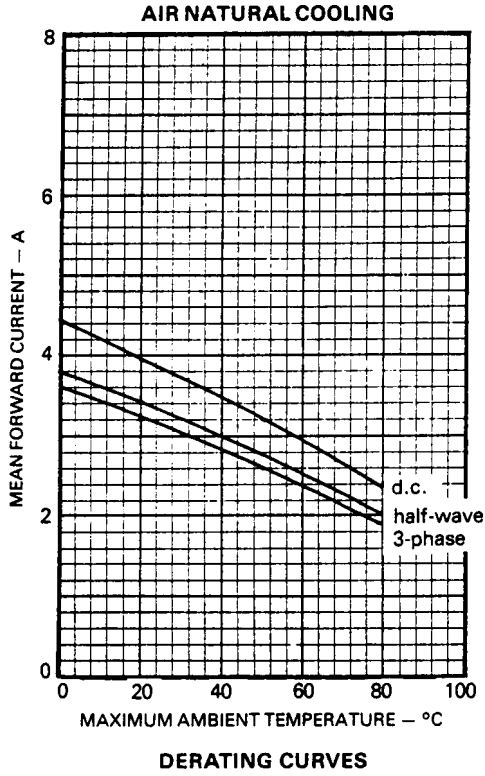
$$I_{F(AV)} = 3.0 \text{ A}$$

$$V_{RRM} = 9600 \text{ V}$$

# High Voltage Diode Rectifier Module

# LARONTROL

## Electronic Devices



# Mouser Electronics

Authorized Distributor

Click to View Pricing, Inventory, Delivery & Lifecycle Information:

[IXYS:](#)

[VVZ12-16io1](#) [VVZ12-12io1](#)