

RED INDICATES ORIGINAL

| DASH NO | FIG NO | CABLES ACCOMMODATED | A DIM | B DIM | ASSEMBLE PER |
|---------|--------|--|---|---|--------------|
| -7 | 1.2 | TRC-50-2 | .096 | 1.846 | TAI-189 |
| -A7 | | TRC-75-2 | A | A | TAI-189 |
| -9 | | TWC-78-2 | | | TAI-102 |
| -23 | | 250-4816-009 MICRODOT | | | TAI-189 |
| -29 | | TWC-78-1 | .096 | 1.846 | TAI-102 |
| -33 | | TWC-124-1A | | | TAI-189 |
| -42 | | TRC-75-1 | | | TAI-189 |
| -47 | | 21-204 ESSEX 4463 CONSOLIDATED M17/176-00002 | | | TAI-189 |
| | | | | | TAI-102 |

DWG SIZE **B**
 DATA CONTAINED IN THIS DOCUMENT IS PROPRIETARY TO TROMPETER ELECTRONICS INC. AND SHALL NOT BE DISCLOSED, COPIED OR USED FOR PROCUREMENT OR MANUFACTURE WITHOUT EXPRESS WRITTEN PERMISSION.

| REV | | ED | DESCRIPTION | OWN | APPROVED | DATE |
|-----|--|-------|--|-----|------------|---------|
| AA | | 11957 | DELETED THICKER CLAMP NUT P/N 8-1591 AND "BR" VERSION P/N 8-2203; ON SH 2 B/M; DELETED NOTE 2 ; NOTE 3 BECOMES NOTE 2 ; RENUMBERED ITEM NUMBERS; SEE ECO | DKC | <i>Bur</i> | 3/17/97 |

| INCH | MM |
|-------|-------|
| .005 | 0.13 |
| .030 | 0.76 |
| .096 | 2.44 |
| .374 | 9.50 |
| .437 | 11.10 |
| .505 | 12.83 |
| .543 | 13.79 |
| .575 | 14.61 |
| 1.337 | 33.96 |
| 1.846 | 46.89 |

FIG 1
-7 SHOWN

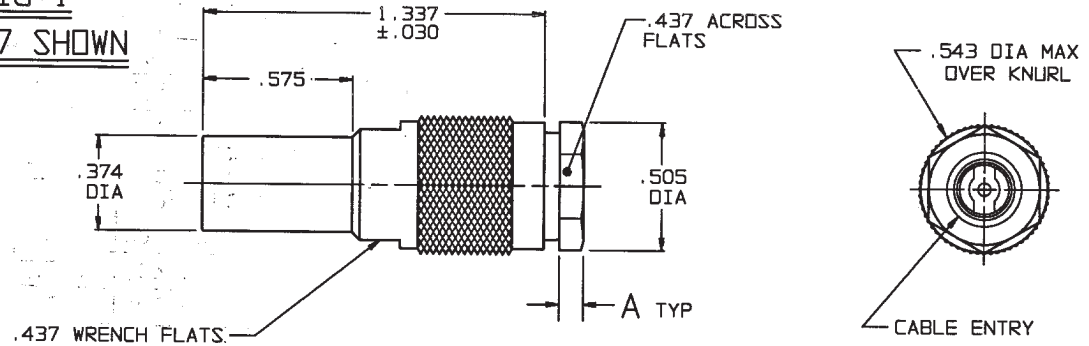
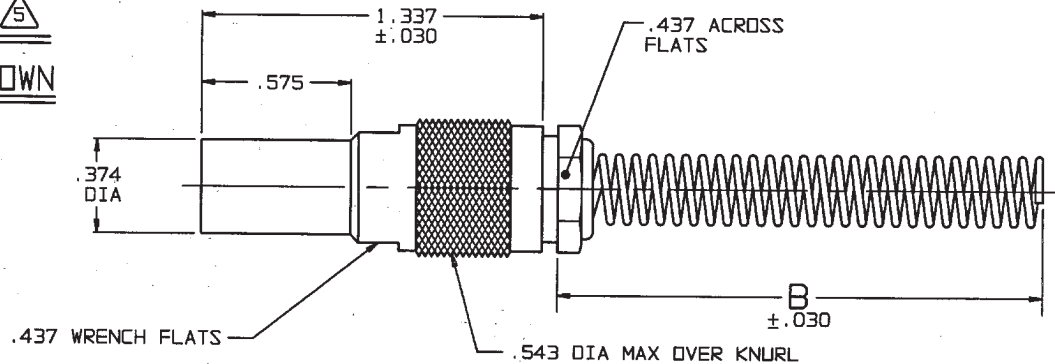


FIG 2
-7 SHOWN



5 IF BEND RELIEF SPRING REQD (FIG 2) ADD SUFFIX "BR" TO MODEL NO

4. CONCENTRIC TWINAXIAL/TRIAXIAL PATCH PLUG

3 CLAMP NUT OMITTED ON -A7 ONLY

2. FINISH: TFS-1A (NICKEL)

1. ALL DIM ARE IN INCHES

| QTY | DESCRIPTION | PART NUMBER | ITEM |
|-----------|---|--|----------------------|
| | TOL UNLESS SPECIFIED .xx ± .xxx ± .005 .xxxx ± ANGLES ± | TROMPETER RF connectivity <small>a cinch connectivity solutions brand</small> | PL71/BR |
| DWN | DKC | 1-3-97 | MATERIAL |
| CHK | <i>Bur</i> | 3-17-97 | CODE IDENT |
| ENGR | | | 14949 |
| NEXT ASSY | APPR | <i>Bur</i> | 3/17/97 |
| | | SCALE 2/1 | DATE 1-12-66 |
| | | | SHEET 1 OF 2 |
| | | | DRAWING NO. 310-0001 |
| | | | REV AA |

Mouser Electronics

Authorized Distributor

Click to View Pricing, Inventory, Delivery & Lifecycle Information:

[Cinch Connectivity Solutions:](#)

[PL71-9](#)