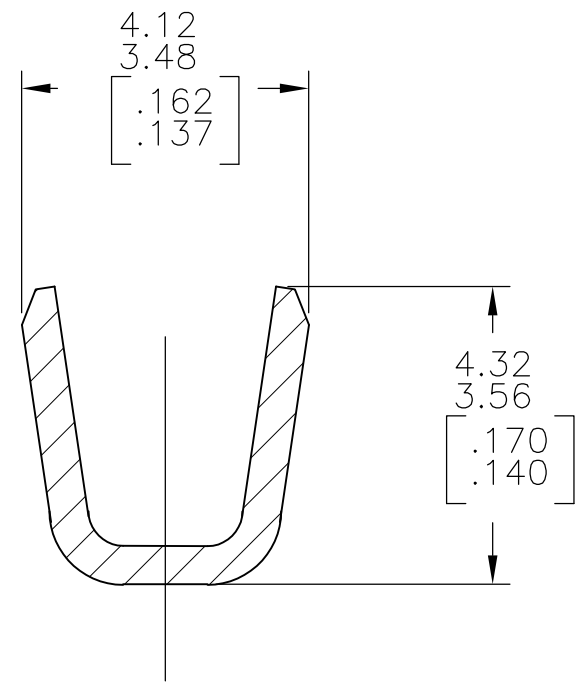
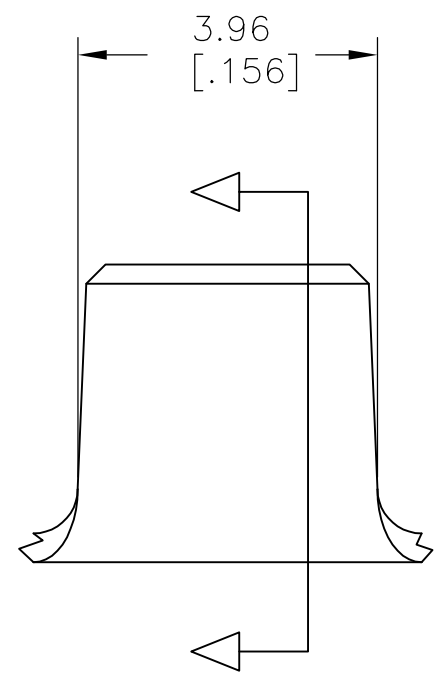
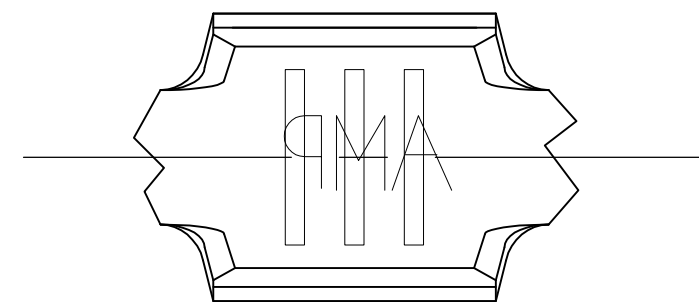


THIS DRAWING IS UNPUBLISHED. RELEASED FOR PUBLICATION
 © COPYRIGHT BY TYCO ELECTRONICS CORPORATION. ALL INTERNATIONAL RIGHTS RESERVED.

| LOC | DIST | REVISIONS | | | |
|-----|------|---------------------------|---------|-----|------|
| P | LTR | DESCRIPTION | DATE | DWN | APVD |
| | C1 | REVISED PER ECR-11-001036 | 21JAN11 | HMR | GJ |

- 1 PRODUCT PROVIDED IN STRIP FORM ON REELS, BREAKS MAY BE PRESENT.
- 2 WIRE RANGE FOR NEW APPLICATIONS : 1.27–2.38mm² [2500–4700 CMA](WIRE RANGE APPROVED FOR APPLICATIONS IMPLEMENTED PRIOR TO 2005: 2000–5300 CMA).
- 3 CRIMP WIDTH: 3.05[.120] F TYPE.
 CRIMP HEIGHT IN INCHES (±.002)=(TOTAL CMA OF WIRES +12240)/220000.



40868
 PART NUMBER

| | | | | | |
|--|--|---------------------------------|---|------------|---------------------|
| THIS DRAWING IS A CONTROLLED DOCUMENT. | | DWN M.S. FEHER 18OCT2004 | Tyco Electronics Corporation Harrisburg, PA 17105-3608 | | |
| DIMENSIONS: mm [INCHES] | TOLERANCES UNLESS OTHERWISE SPECIFIED: | CHK G.D. PORTA 18OCT2004 | NAME | | |
| | 0 PLC ± - | APVD G.D. PORTA 18OCT2004 | SPLICE | | |
| | 1 PLC ± - | PRODUCT SPEC | - | | |
| | 2 PLC ± 0.25[.010] | APPLICATION SPEC | 114-2088 | | |
| | 3 PLC ± - | WEIGHT | - | | |
| | 4 PLC ± - | SIZE | CAGE CODE | DRAWING NO | RESTRICTED TO |
| MATERIAL BRASS | FINISH TIN | A3 00779 | | C-40868 | - |
| | | CUSTOMER DRAWING | | SCALE 10:1 | SHEET 1 OF 1 REV C1 |

Mouser Electronics

Authorized Distributor

Click to View Pricing, Inventory, Delivery & Lifecycle Information:

[TE Connectivity:](#)

[40868](#)