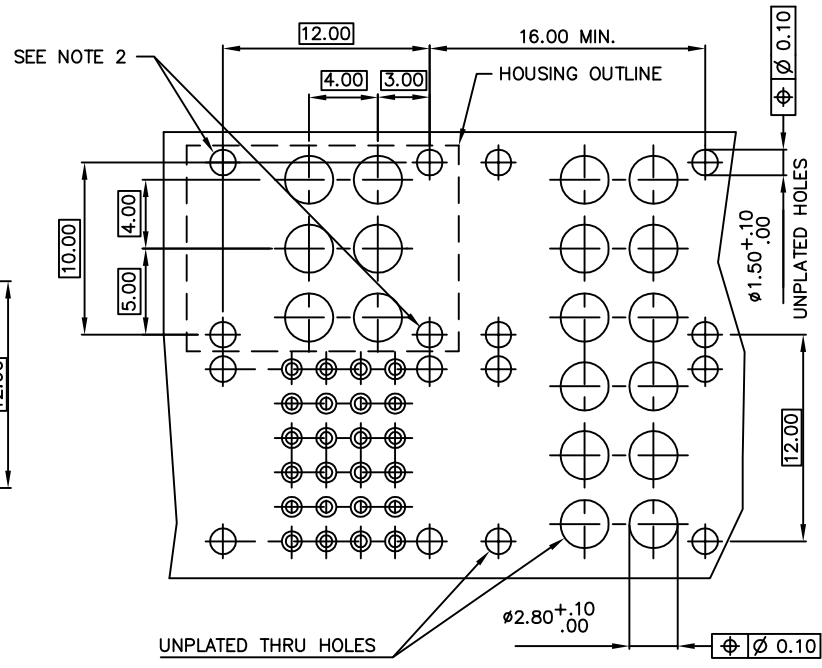
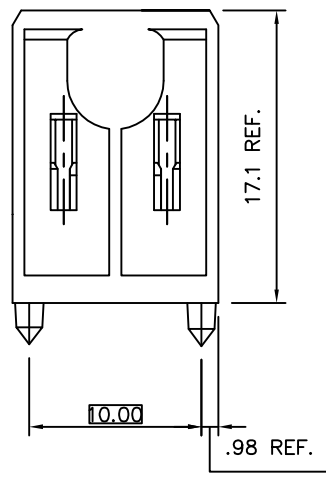
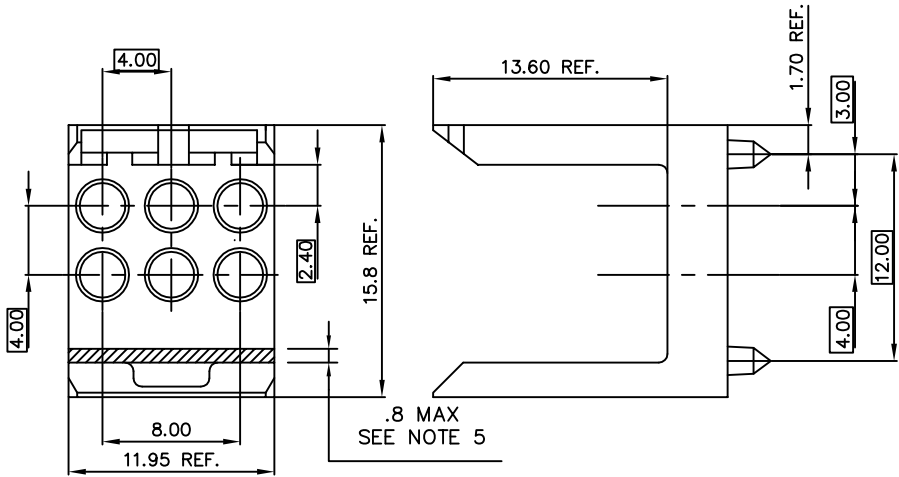


PRODUCT NUMBER
88913-101LF



RECOMMENDED HOLE PATTERN COMPONENT SIDE
2MM SIGNAL HOLE PATTERN SHOWN FOR REFERENCE ONLY

- NOTES:
1. MATERIAL: LCP, 30% GLASS FILLED
COLOR: NATURAL
FLAME RETARDANT ACC. UL 94-V0
 2. THESE HOLES NEEDED WHEN USED IN A CENTER PLANE APPLICATION WITH A HYBRID ON EACH SIDE OF THE CENTER PLANE.
 3. THE -101LF (SHEET 1) HOUSING IS TO BE USED WITH MINI-COAX PLUG/PLUG INSERTS, 70296-002LF.
 4. THE -111LF (SHT 2) AND -121LF (SHT 3) HOUSING, IS TO BE USED WITH MINI-COAX INSERTS 88971 OR 88978.
 5. THIS AREA MAY CONTAIN IDENTIFICATION SUCH AS MOLD NUMBER, MOLD CAVITY NUMBER AND/OR MANUFACTURING LOCATION.

6. PART NUMBER WITH "LF" SUFFIX AT THE END IS LEAD FREE.

7. THIS PRODUCT MEETS EUROPEAN UNION DIRECTIVES AND OTHER COUNTRY REGULATION AS DESCRIBED IN GS-22-008.

8. THE HOUSING WILL WITHSTAND EXPOSURE TO 260°C PEAK TEMPERATURE FOR 15 SECONDS IN A WAVE SOLDER APPLICATION WITH A 1.5mm MINIMUM THICK CIRCUIT BOARD OR FOR 10-20 SECONDS IN A CONVECTION, INFRA-RED OR VAPOR PHASE REFLOW OVEN. SEE APPLICATION NOTES/PROCEDURES IF THEY ARE AVAILABLE.

mat'l. code		surface		tolerance		projection		product family	
SEE NOTES		ISO 1302		ISO 406		MM		METRAL ACC	
				ISO 1101				title	
		tolerances unless otherwise specified						12mm MINI-HYBRID HEADER HOUSING	
Ltr	ecn no	dr	date	angles	linear			scale 1:1	
H	V20777	CGD	4/23/02		.0±.3			dwg no	
J	V21256	CGD	6/24/02		.00±.13			sheet 1 of 3	
K	V21707	TAB	10/30/02	0°±2'	.000±.0051			size	
L	J03-0127	PJ	01/03/04	dr	S.STONER	6/11/92		88913	
M	M06-0055	MHT	2/01/06	enrg	R.DOUTRICH	6/11/92		A3	
N	M06-0277	MHT	7/22/06	chr	S.STONER	6/11/92		type	
P	DG10-0263	TER	2010-07-15	appd	S.STONER	6/11/92		Product Customer Drawing	
sheet	revision	P	P	P					
index	sheet	1	2	3					

PDM: Rev:P

STATUS: Released

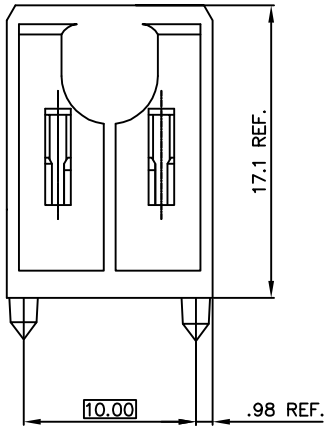
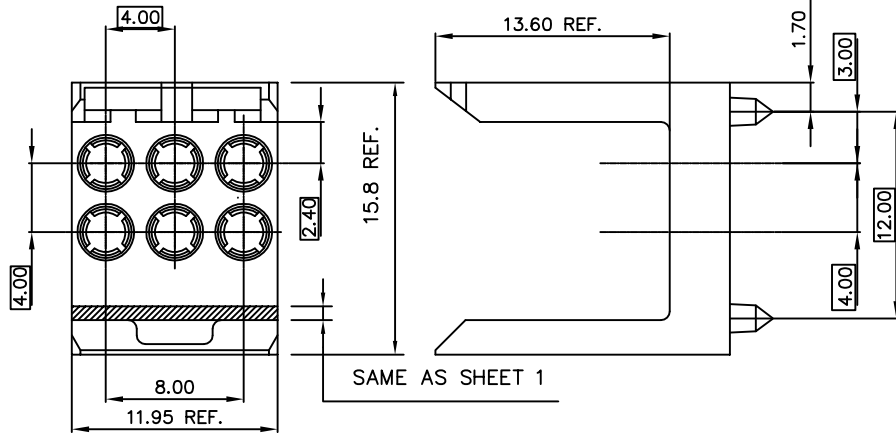
Printed: Jul 16, 2010



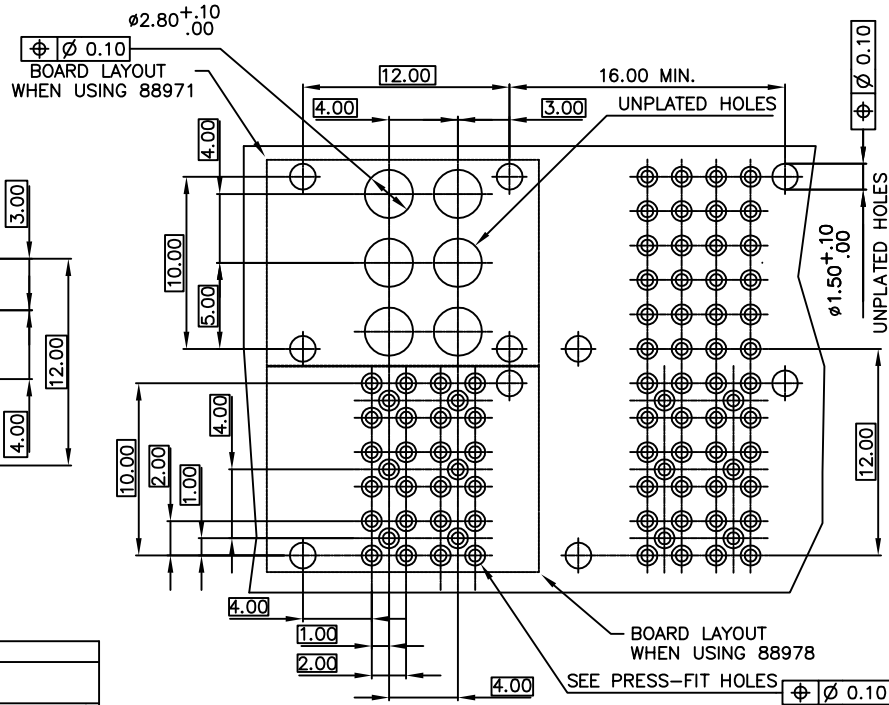
FCIconnect.com

Copyright FCI

PRODUCT NUMBER
88913-111LF



PRESS-FIT HOLES	
HOLE DIAMETER AFTER PLATING	0.65 - 0.80
DRILLED HOLE	0.81 - 0.86 (0.85 DRILL)
COPPER PLATING	0.025 MIN.
TIN PLATING	0.005 - 0.015



NOTES:

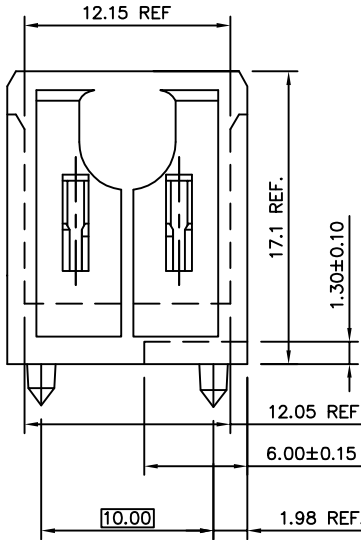
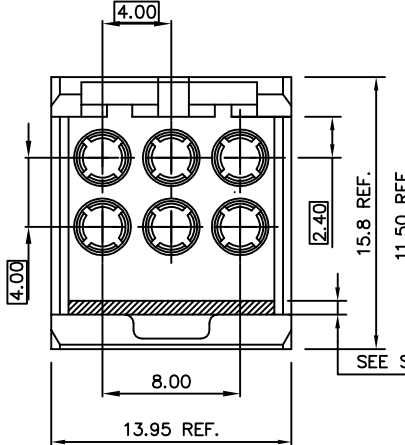
- MATERIAL: LCP, 30% GLASS FILLED
COLOR: NATURAL
FLAME RETARDANT ACC. UL 94-V0
- THE -111LF AND -121LF (SHEET 3) HOUSING IS TO BE USED WITH THE PRESS-FIT TO BOARD MINI-COAX INSERT, 88978-001LF OR MINI-COAX PLUG/PLUG COUPLERS, 88971-002LF.

- PART NUMBER WITH "LF" SUFFIX AT THE END IS LEAD FREE.
- THIS PRODUCT MEETS EUROPEAN UNION DIRECTIVES AND OTHER COUNTRY REGULATION AS DESCRIBED IN GS-22-008.
- THE HOUSING WILL WITHSTAND EXPOSURE TO 260°C PEAK TEMPERATURE FOR 15 SECONDS IN A WAVE SOLDER APPLICATION WITH A 1.5mm MINIMUM THICK CIRCUIT BOARD OR FOR 10-20 SECONDS IN A CONVECTION, INFRA-RED OR VAPOR PHASE REFLOW OVEN. SEE APPLICATION NOTES/PROCEDURES IF THEY ARE AVAILABLE.

mat'l. code		surface		tolerance		projection		product family	
SEE NOTES		ISO 1302		ISO 406				METRAL ACC	
ecn no		dr		date				title	
P						MM		12mm MINI-HYBRID HEADER HOUSING	
		angles		linear		scale 1:1		dwg no	
		0°±2'		.00±.13				sheet 2 of 3	
		dr		S.STONER		6/11/92		size	
		enrg		R.DOUTRICH		6/11/92		88913	
		chr		S.STONER		6/11/92		A3	
		appd		S.STONER		6/11/92		type	
								Product Customer Drawing	
sheet index		revision sheet							

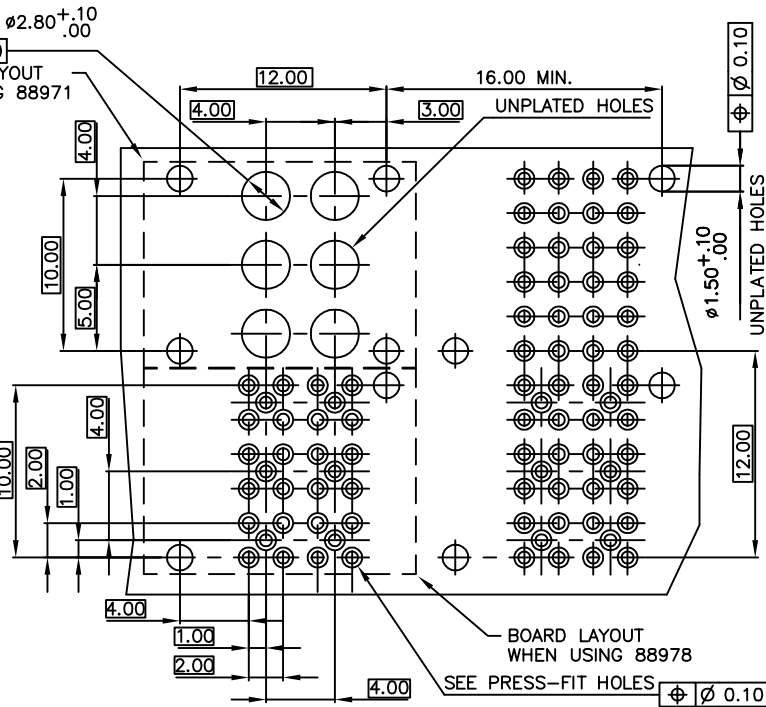
PRODUCT NUMBER

88913-121LF



PRESS-FIT HOLES	
HOLE DIAMETER AFTER PLATING	0.65 - 0.80
DRILLED HOLE	0.81 - 0.86 (0.85 DRILL)
COPPER PLATING	0.025 MIN.
TIN PLATING	0.005 - 0.015

BOARD LAYOUT WHEN USING 88971



RECOMMENDED HOLE PATTERN COMPONENT SIDE
2MM SIGNAL HOLE PATTERN SHOWN FOR REFERENCE ONLY

- ③ PART NUMBER WITH "LF" SUFFIX AT THE END IS LEAD FREE.
- 4. THIS PRODUCT MEETS EUROPEAN UNION DIRECTIVES AND OTHER COUNTRY REGULATION AS DESCRIBED IN GS-22-008.
- 5. THE HOUSING WILL WITHSTAND EXPOSURE TO 260°C PEAK TEMPERATURE FOR 15 SECONDS IN A WAVE SOLDER APPLICATION WITH A 1.5mm MINIMUM THICK CIRCUIT BOARD OR FOR 10-20 SECONDS IN A CONVECTION, INFRA-RED OR VAPOR PHASE REFLOW OVEN. SEE APPLICATION NOTES/PROCEDURES IF THEY ARE AVAILABLE.

- NOTES:
1. MATERIAL: LCP, 30% GLASS FILLED, FLAME RETARDANT ACC. UL 94-V0
COLOR: NATURAL
 2. THE -111LF AND -121LF (SHEET 3) HOUSING IS TO BE USED WITH THE PRESS-FIT TO BOARD MINI-COAX INSERT, 88978-001LF OR MINI-COAX PLUG/PLUG COUPLERS, 88971-002LF.

mat'l. code		surface		tolerance		projection		product family	
SEE NOTES		ISO 1302		ISO 406		MM		METRAL ACC	
Ltr		ecn no		dr		date		title	
P								12mm MINI-HYBRID HEADER HOUSING	
		angles		linear		.0±.3		dwg no	
		0°±2'				.00±.13		sheet 3 of 3	
						.000±.0051		size	
		dr		S.STONER		6/11/92		A3	
		enrg		R.DOUTRICH		6/11/92		88913	
		chr		S.STONER		6/11/92		type	
		appd		S.STONER		6/11/92		Product Customer Drawing	
sheet index		revision sheet							

Mouser Electronics

Authorized Distributor

Click to View Pricing, Inventory, Delivery & Lifecycle Information:

[FCI / Amphenol:](#)

[88913-101LF](#) [88913-111LF](#)