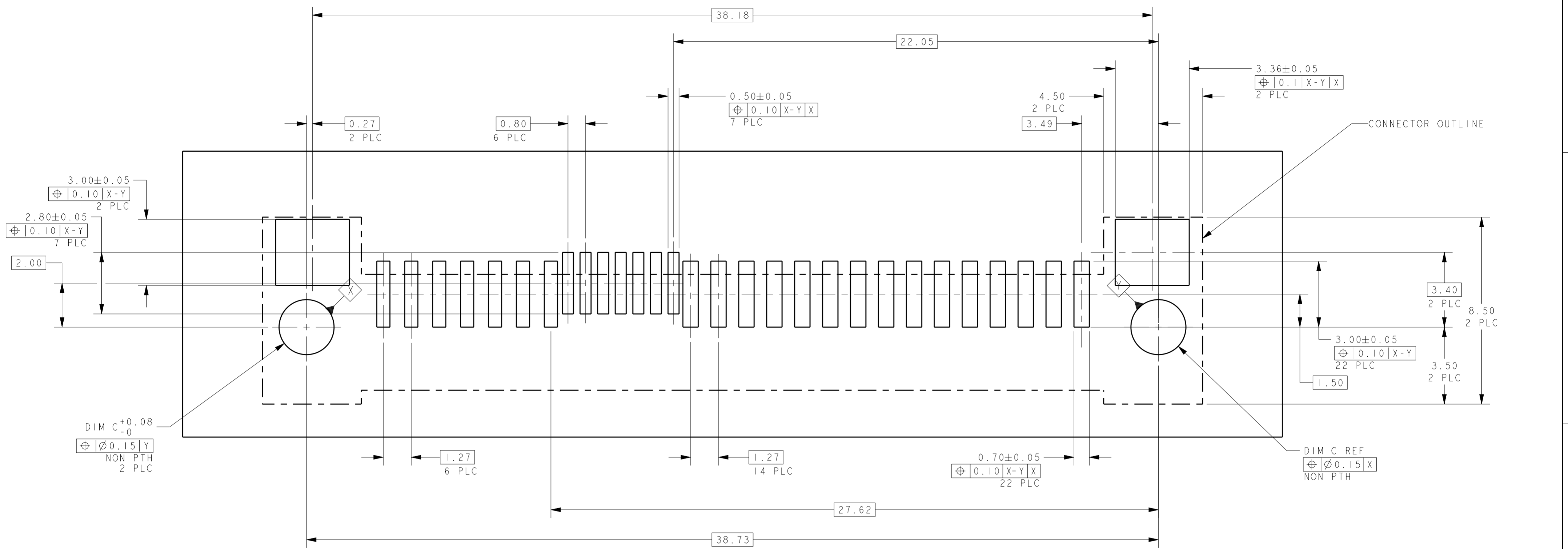
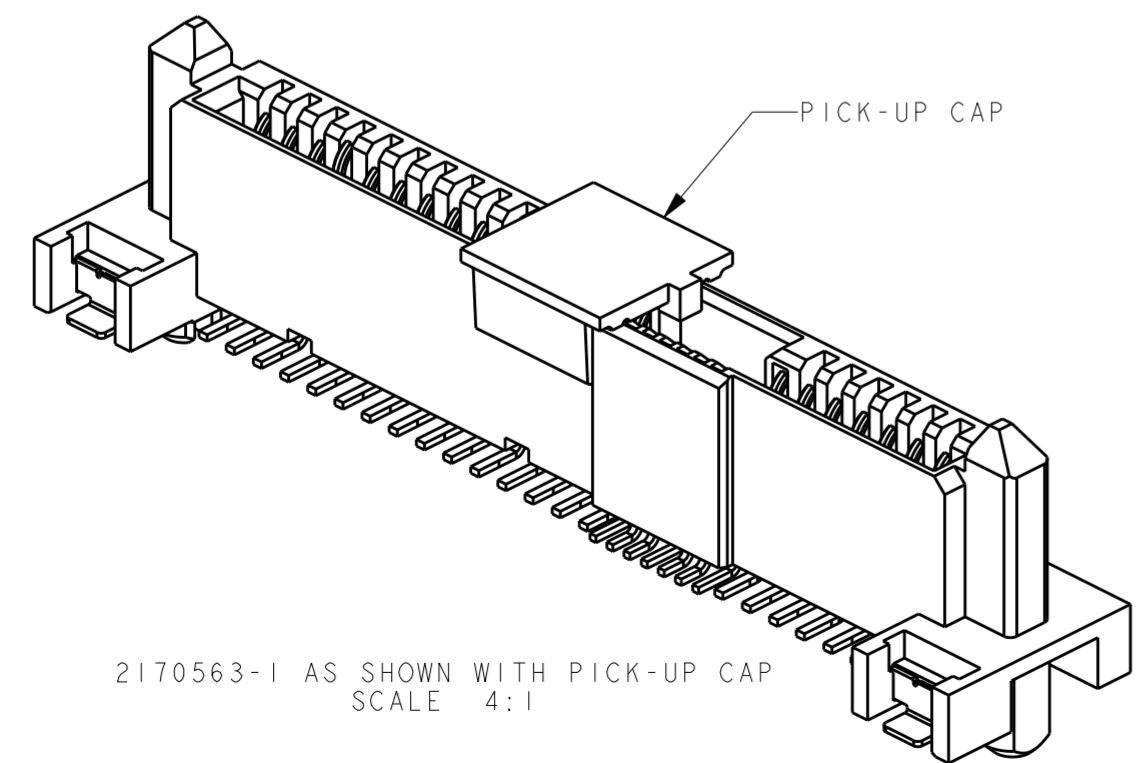


THIS DRAWING IS UNPUBLISHED. RELEASED FOR PUBLICATION 20
 © COPYRIGHT 2012 ALL RIGHTS RESERVED.

LOC	DIST	REVISIONS			
P	LTR	DESCRIPTION	DATE	DWN	APVD
-	-	SEE SHEET 1	-	-	-



RECOMMENDED RECEPTACLE BOARD LAYOUT
 SCALE 8:1



2170563-1 AS SHOWN WITH PICK-UP CAP
 SCALE 4:1

THIS DRAWING IS A CONTROLLED DOCUMENT.		DWN TIM XUE 26 JUL 2013	TE Connectivity	
DIMENSIONS: mm		CHK ALEX CAI 26 JUL 2013		
TOLERANCES UNLESS OTHERWISE SPECIFIED:		APVD ALEX CAI 26 JUL 2013	NAME 12G SAS RECEPTACLE DUALLINK, WITH BOARDLOCK 1-SIDED, 15P+7P+7P	
0 PLC ±		PRODUCT SPEC 108-51109	SIZE A2b0779C-2170563	
1 PLC ±0.20		APPLICATION SPEC 114-60017	CAGE CODE A2b0779C-2170563	
2 PLC ±0.20		WEIGHT	DRAWING NO	
3 PLC ±0.20		CUSTOMER DRAWING	RESTRICTED TO	
4 PLC ±		SCALE 2:1	SHEET 2 OF 2	
ANGLES ±3°		REV A		
FINISH				

Mouser Electronics

Authorized Distributor

Click to View Pricing, Inventory, Delivery & Lifecycle Information:

[TE Connectivity:](#)

[2170563-1](#)