

4

3

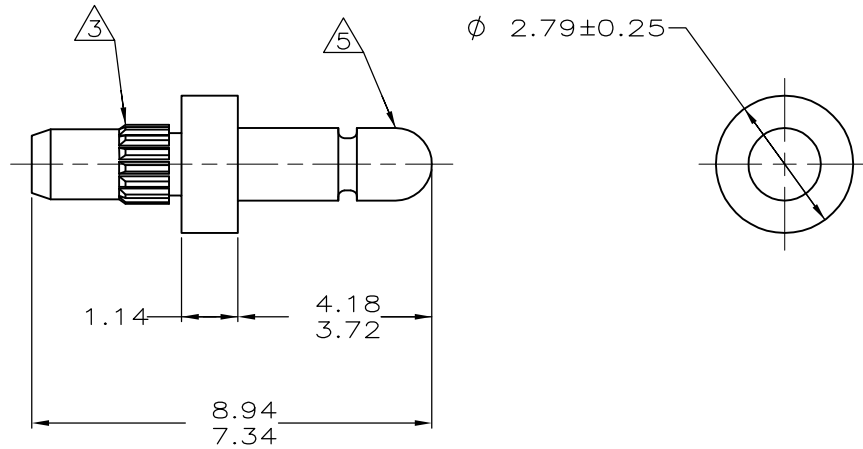
2

1

THIS DRAWING IS UNPUBLISHED. RELEASED FOR PUBLICATION  
 © COPYRIGHT - By - ALL RIGHTS RESERVED.

REVISIONS

P	LTR	DESCRIPTION	DATE	DWN	APVD
	S2	REVISED PER ECR-17-013215	18SEP17	J.Z	D.Z



- ① 0.00381 MIN BRIGHT TIN-LEAD PLATING ALL OVER.
- ② 0.00076 MIN GOLD PLATING ALL OVER.
- ③ REED STRAIGHT TOOTH KNURL CS 80-80 T.P.I., 125 TEETH, 70° INCLUDED ANGLE. FITS 1.50 - 1.57 DIAMETER HOLE IN A 1.59 PRINTED CIRCUIT BOARD.
- 4. PARTS TO COMPLY WITH AMP SOLDERABILITY SPECIFICATION 109-11-3.
- ⑤ MATES WITH AMP PARTS 60354 AND 60598.
- ⑥ 0.00381 MIN BRIGHT TIN PLATING ALL OVER.

-	-
8.94	.352
7.34	.289
4.18	.165
3.72	.146
2.79	.110
1.59	.063
1.57	.062
1.50	.059
1.47	.058
1.14	.045
0.25	.010
0.13	.005
0.00381	0.000150
0.00076	0.000030
MM	IN

CONVERSION TABLE



⑥	3-60599-1
②	60599-3
⑥	60599-1
FINISH	PART NUMBER

THIS DRAWING IS A CONTROLLED DOCUMENT.		DWN S. CARPENTER	21AUG2003	<b>STE</b> TE Connectivity	
DIMENSIONS: mm		CHK J. ELLIS	21AUG2003		
TOLERANCES UNLESS OTHERWISE SPECIFIED:		APVD J. ELLIS	21AUG2003	NAME PIN, .058 DIAMETER, BRASS, KNURLED, P.C. CONTACT	
0 PLC ± 1 PLC ± 2 PLC ± 0.13 3 PLC ± 4 PLC ± ANGLES ±		PRODUCT SPEC 108-1025	APPLICATION SPEC 114-1008		RESTRICTED TO -
MATERIAL BRASS	FINISH SEE TABLE	WEIGHT 0.000000	SIZE A3	CAGE CODE 00779	DRAWING NO C-60599
CUSTOMER DRAWING			SCALE 10:1	SHEET 1 of 1	REV S2

# Mouser Electronics

Authorized Distributor

Click to View Pricing, Inventory, Delivery & Lifecycle Information:

[TE Connectivity:](#)

[60599-1](#)