

**PLEASE CHECK WWW.MOLEX.COM FOR LATEST PART INFORMATION**

**Part Number:** [0557633070](#)  
**Status:** **Active**  
**Overview:** [MicroClasp Wire-to-Board System](#)  
**Description:** 2.00mm Pitch MicroClasp Wire-to-Board Header, Surface Mount, Dual Row, Vertical, 30 Circuits

**Documents:**

[3D Model](#) [Product Specification PS-51242-002-001 \(PDF\)](#)  
[Drawing \(PDF\)](#) [RoHS Certificate of Compliance \(PDF\)](#)

**General**

|                |   |
|----------------|---|
| Product Family | PCB Headers                                     |
| Series         | <a href="#">55763</a>                           |
| Application    | Signal, Wire-to-Board                           |
| Overview       | <a href="#">MicroClasp Wire-to-Board System</a> |
| Product Name   | MicroClasp                                      |
| UPC            | 822348264780                                    |

**Physical**

|                                |                       |
|--------------------------------|-----------------------|
| Breakaway                      | No                    |
| Circuits (Loaded)              | 30                    |
| Circuits (maximum)             | 30                    |
| Durability (mating cycles max) | 30                    |
| First Mate / Last Break        | No                    |
| Glow-Wire Capable              | No                    |
| Guide to Mating Part           | No                    |
| Keying to Mating Part          | None                  |
| Lock to Mating Part            | Yes                   |
| Material - Plating Mating      | Tin                   |
| Material - Plating Termination | Tin                   |
| Net Weight                     | 3514.200/mg           |
| Number of Rows                 | 2                     |
| Orientation                    | Vertical              |
| PC Tail Length                 | 4.50mm                |
| PCB Locator                    | No                    |
| PCB Retention                  | Yes                   |
| Packaging Type                 | Embossed Tape on Reel |
| Pitch - Mating Interface       | 2.00mm                |
| Shrouded                       | Fully                 |
| Stackable                      | No                    |
| Temperature Range - Operating  | -25° to +85°C         |
| Termination Interface: Style   | Surface Mount         |

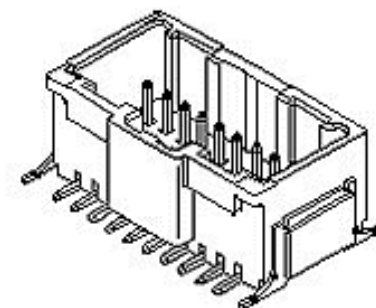
**Electrical**

|                               |      |
|-------------------------------|------|
| Current - Maximum per Contact | 3.0A |
| Voltage - Maximum             | 250V |

**Material Info**

**Reference - Drawing Numbers**

|                       |                            |
|-----------------------|----------------------------|
| Product Specification | PS-51242-002-001           |
| Sales Drawing         | SD-55763-006, SD-55763-007 |



*Series image - Reference only*

**EU ELV**

**Not Relevant**

**EU RoHS**

**Compliant**

**REACH SVHC**

Not Contained Per -  
ED/61/2018 (27 June  
2018)

**Halogen-Free**

**Status**

**Not Low-Halogen**

For more information, please visit [Contact US](#)

China ROHS

ELV

RoHS Phthalates

**China RoHS**

Green Image

Not Relevant

Not Contained

**Search Parts in this Series**

[55763 Series](#)

**Mates With**

[51242](#) MicroClasp Wire-to-Board Receptacle Housing

# Mouser Electronics

Authorized Distributor

Click to View Pricing, Inventory, Delivery & Lifecycle Information:

[Molex:](#)

[55763-3070](#)