

Common-mode filter with ESD protection

[Datasheet - production data](#)

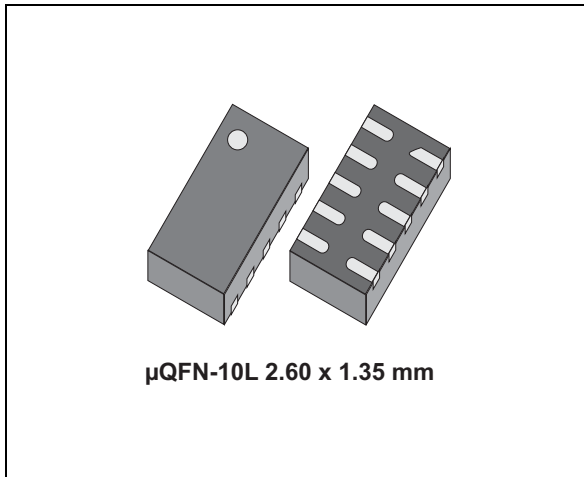
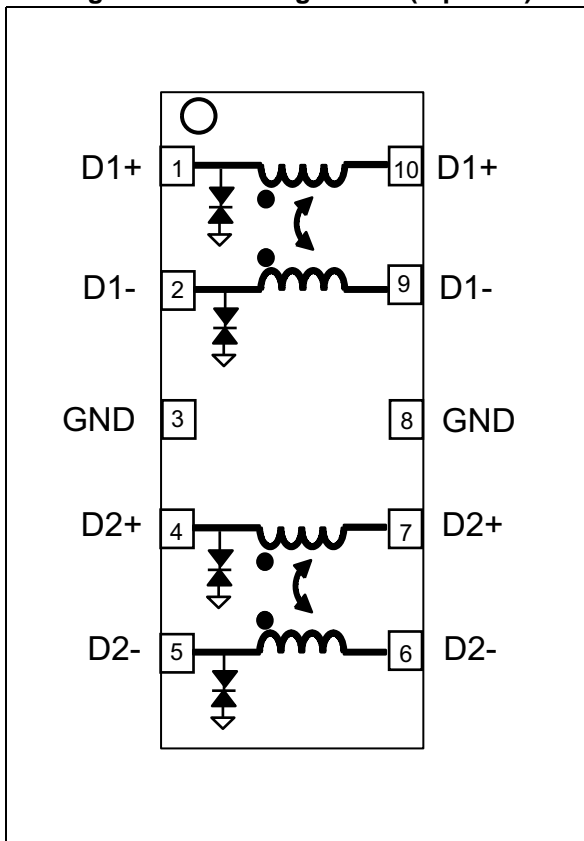


Figure 1. Pin configuration (top view)



Features

- Very large differential bandwidth to comply with HDMI 2.0, USB3.0, MIPI, DisplayPort and other high speed serial interfaces
- High common mode attenuation on WLAN frequencies:
 - 28 dB at 2.4 GHz and -16 dB at 5.0 GHz
- Very good attenuation at LTE, GSM and GPS frequencies
- Large bandwidth: 4.2GHz
- Very low PCB space consumption
- Thin package: 0.55 mm max.
- Lead-free package
- High reduction of parasitic elements through integration

Complies with the following standards:

- IEC 61000-4-2 level 4:
 - ±15 kV (air discharge)
 - ±8 kV (contact discharge)

Applications

- Set top box
- Game console
- Portable devices

Description

The ECMF04-4HSWM10 is a highly integrated common-mode filter designed to suppress EMI/RFI common mode noise on high-speed differential serial buses like HDMI 2.0, USB3.0, Ethernet, MIPI, DisplayPort and other high-speed serial interfaces. The device has a very large differential bandwidth to comply with these standards and can also protect and filter 2 differential lanes.

Contents

1	Characteristics	3
2	Application information	8
3	PCB layout recommendations	9
4	Package information	10
5	Ordering information	12
6	Revision history	12

1 Characteristics

Table 1. Absolute maximum ratings ($T_{amb} = 25\text{ }^{\circ}\text{C}$)

Symbol	Parameter		Value	Unit
V_{PP}	Peak pulse voltage	IEC 61000-4-2 Contact discharge (connector side) Air discharge (connector side)	8 15	kV
I_{RMS}	Maximum RMS current		100	mA
T_{op}	Operating temperature range		-55 to +125	$^{\circ}\text{C}$
T_j	Maximum junction temperature		125	$^{\circ}\text{C}$
T_{stg}	Storage temperature range		-55 to +150	$^{\circ}\text{C}$

Figure 2. Electrical characteristics (definitions)

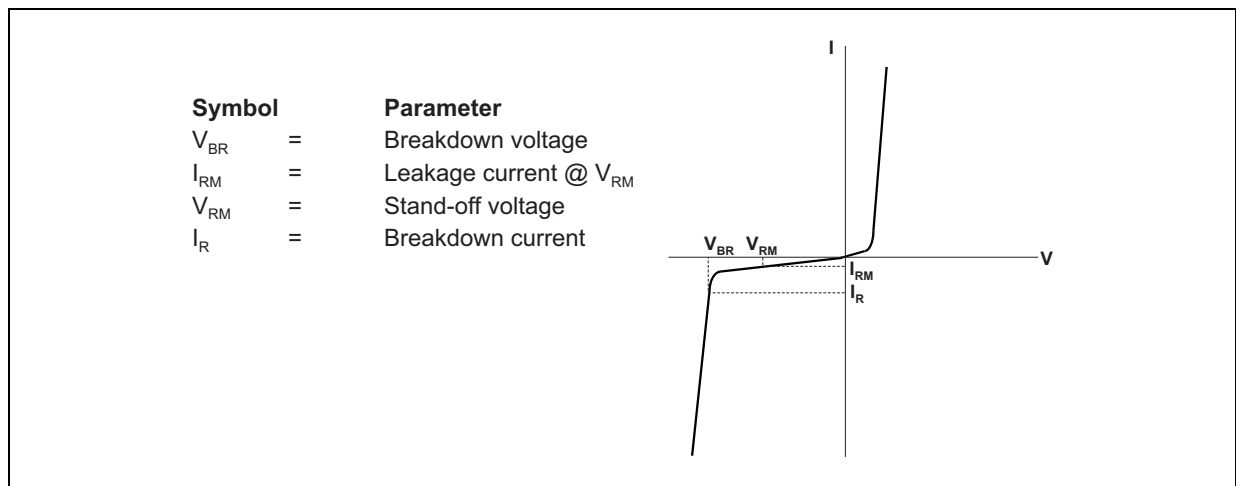


Table 2. Electrical characteristics ($T_{amb} = 25\text{ }^{\circ}\text{C}$)

Symbol	Test conditions	Min.	Typ.	Max.	Unit
V_{BR}	$I_R = 1\text{ mA}$	4.5	5.5		V
I_{RM}	$V_{RM} = 3\text{ V per line}$			100	nA
R_{DC}	DC serial resistance		5		Ω
F_C	-3dB differential mode cut-off frequency		4.2		GHz

Table 3. Pin description

Pin number	Description	Pin number	Description
1	D1+ to connector	6	D2- to IC
2	D1- to connector	7	D2+ to IC
3	GND	8	GND
4	D2+ to connector	9	D1- to IC
5	D2- to connector	10	D1+ to IC

Figure 3. Differential attenuation versus frequency ($Z_{0\text{ diff}} = 100 \Omega$)

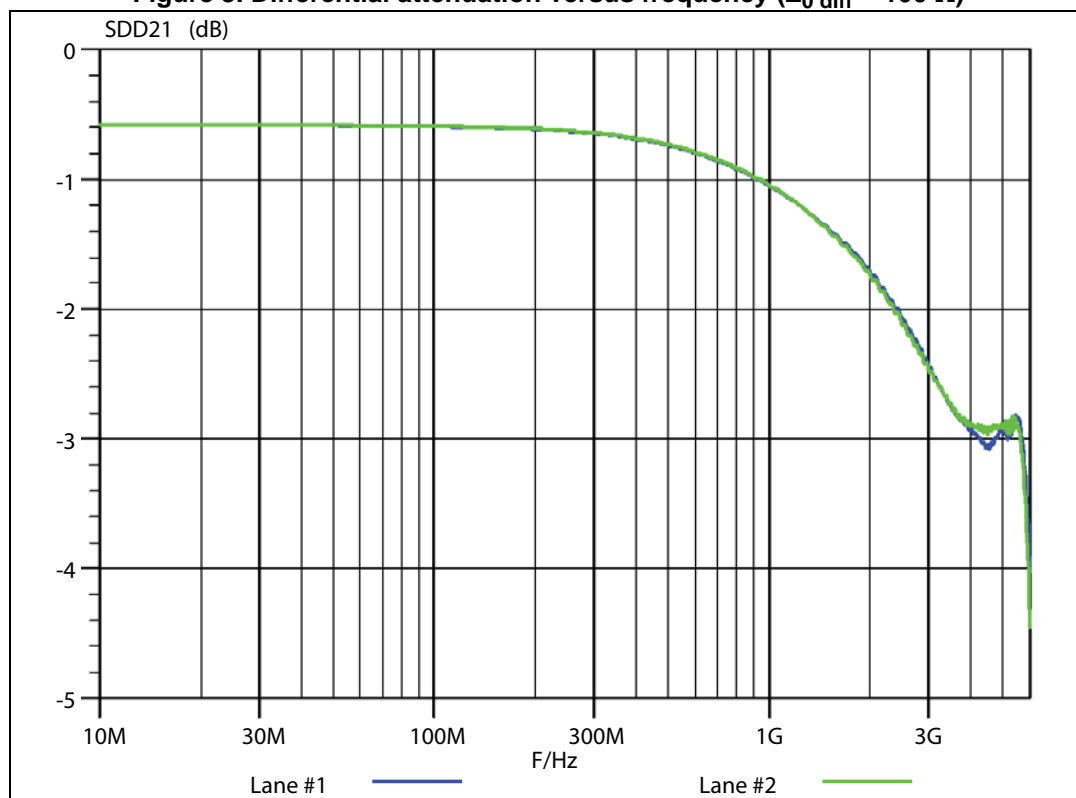


Figure 4. Common mode attenuation versus frequency ($Z_{0\text{ com}} = 50 \Omega$)

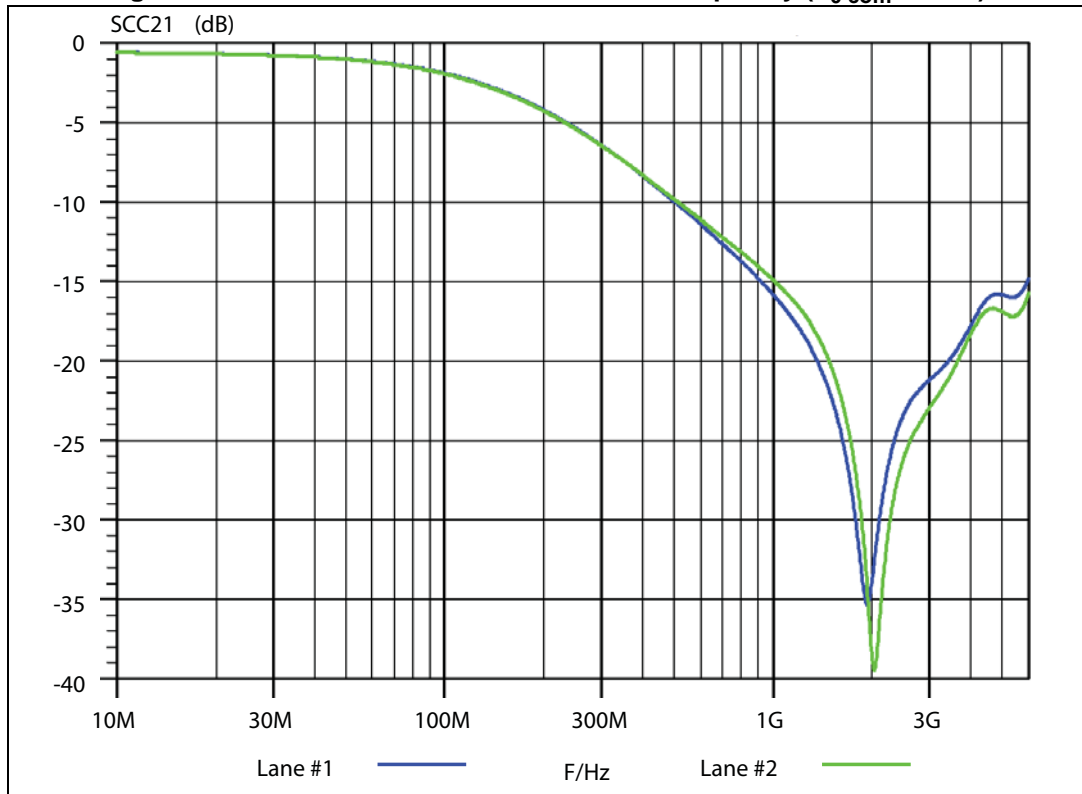


Figure 5. ESD response to IEC61000-4-2 (+8 kV contact discharge)

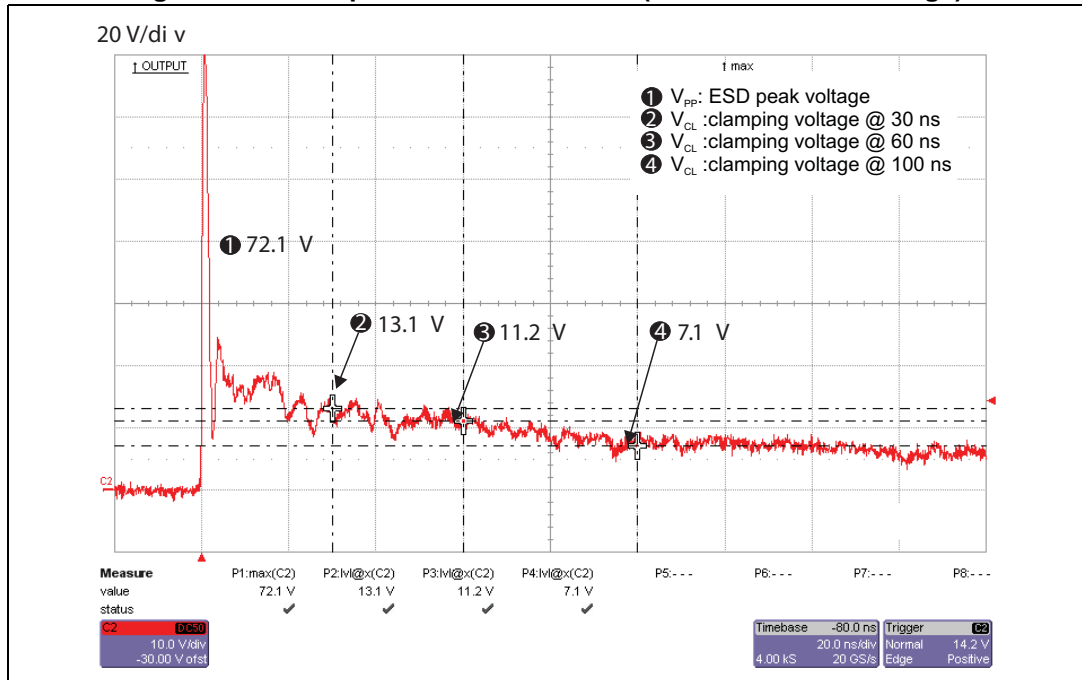


Figure 6. ESD response to IEC61000-4-2 (-8 kV contact discharge)

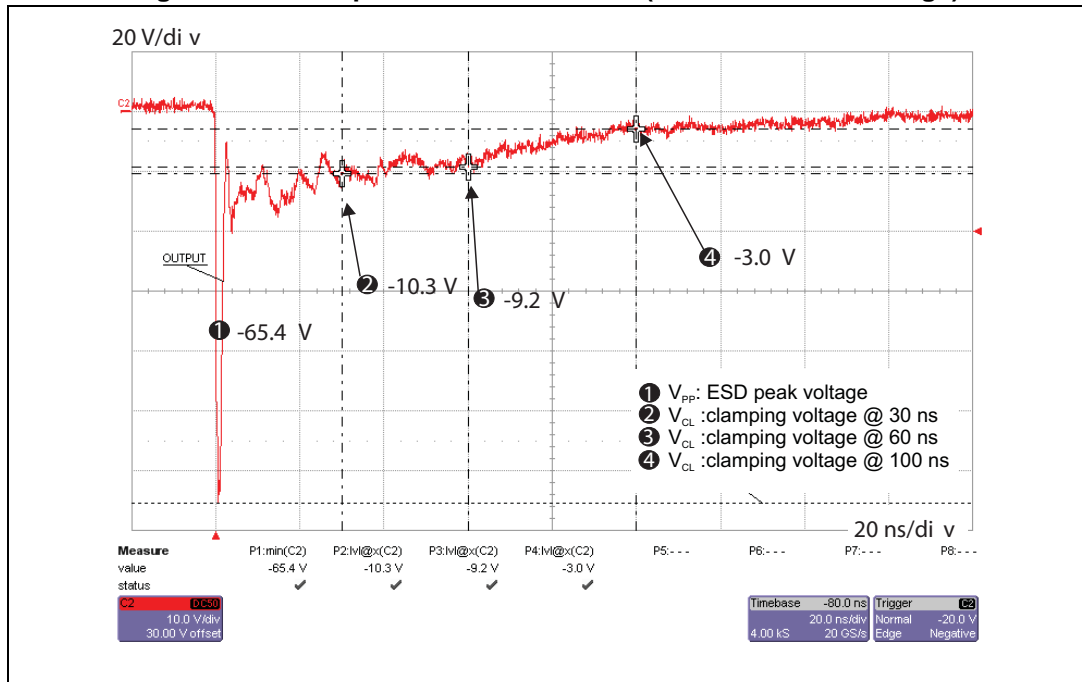


Figure 7. HDMI2.0 5.94 Gbps eye diagram without ECMF04-4HSWM10 (evaluation board with SMA connector)

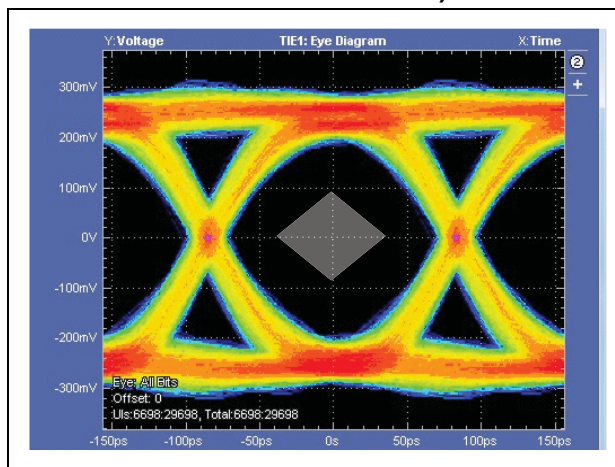


Figure 8. HDMI2.0 5.94 Gbps eye diagram with ECMF04-4HSWM10 (evaluation board with SMA connector)

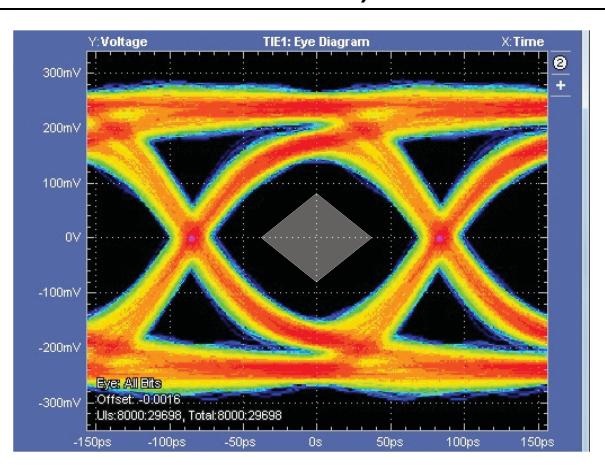


Figure 9. HDMI1.4 3.35 Gbps eye diagram without ECMF04-4HSWM10

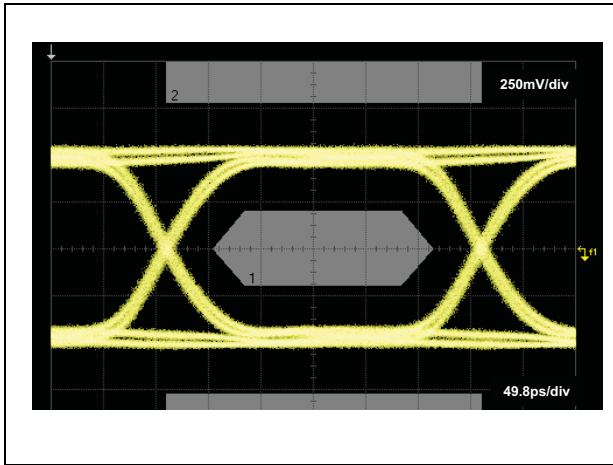


Figure 10. HDMI1.4 3.35 Gbps eye diagram with ECMF04-4HSWM10

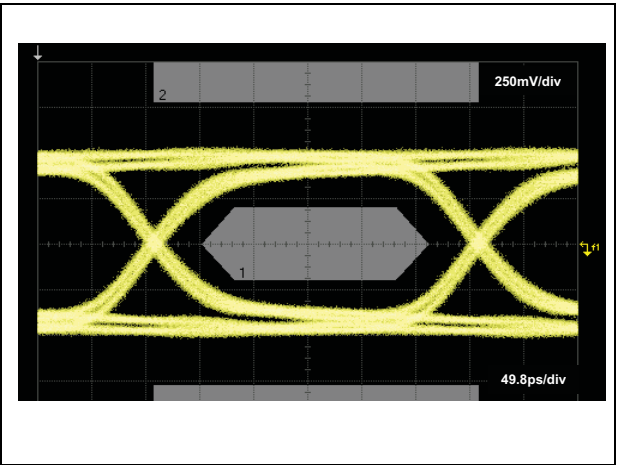
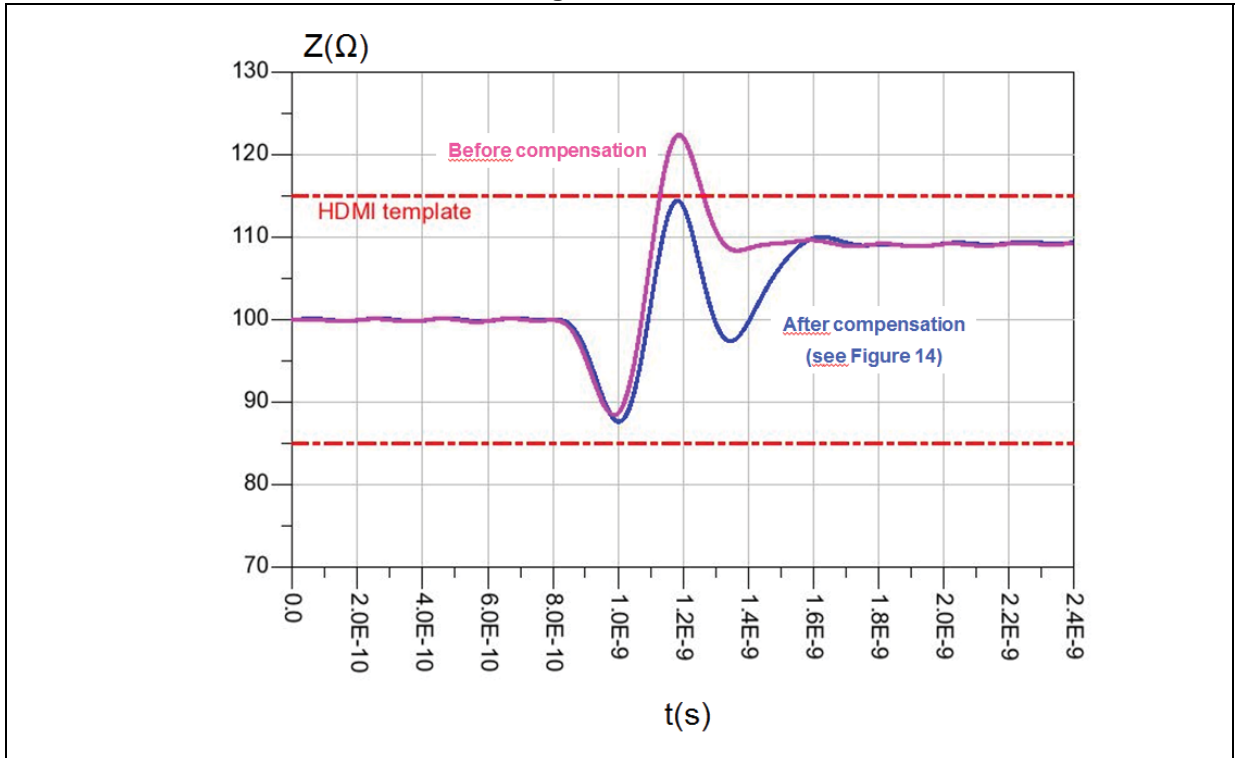


Figure 11. TDR



2 Application information

Figure 12. HDMI schematic

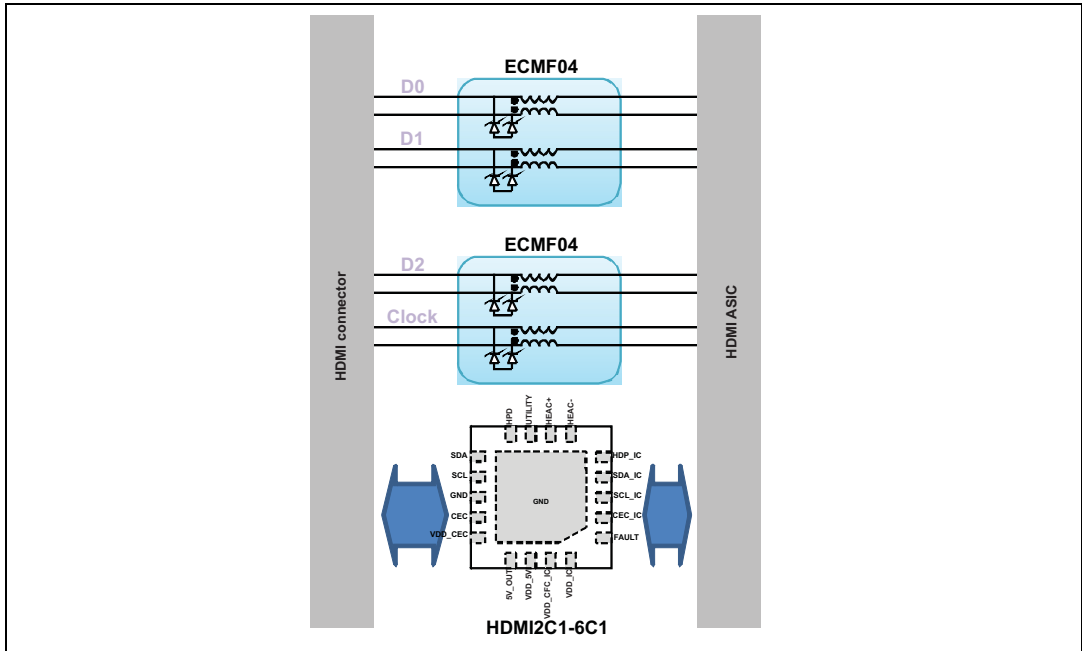
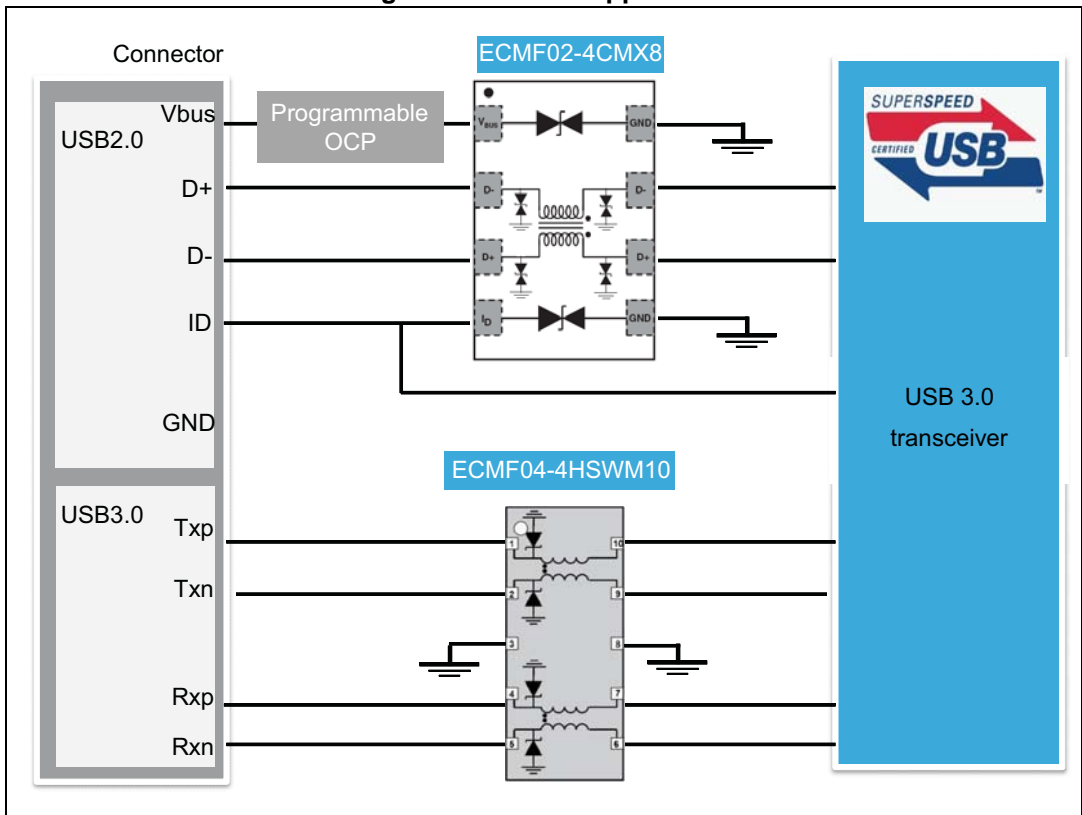


Figure 13. USB3.0 application



3 PCB layout recommendations

Figure 14. PCB layout recommendations

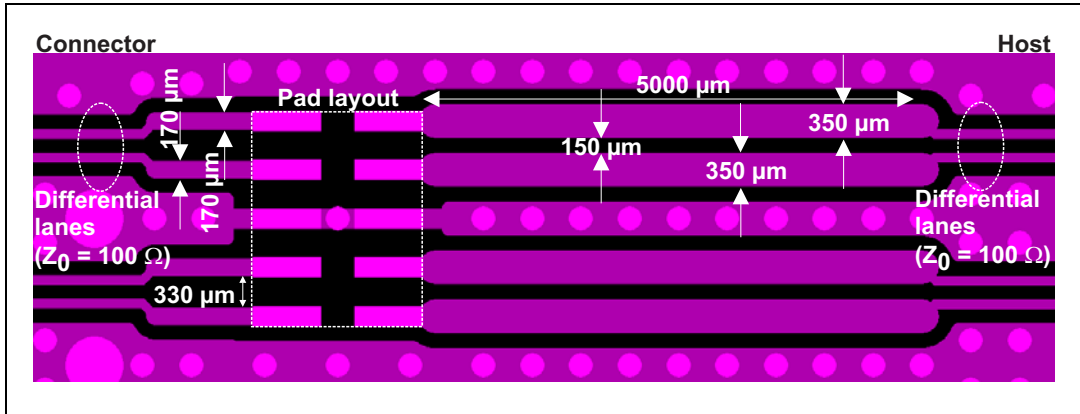
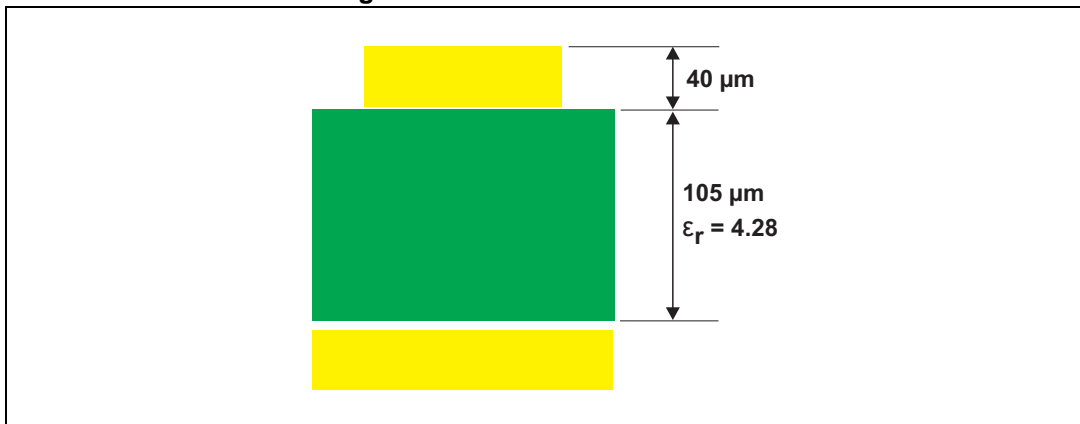


Figure 15. PCB stack dimensions



4 Package information

- Epoxy meets UL94, V0
- Lead-free package

In order to meet environmental requirements, ST offers these devices in different grades of ECOPACK® packages, depending on their level of environmental compliance. ECOPACK® specifications, grade definitions and product status are available at: www.st.com. ECOPACK® is an ST trademark.

Figure 16. μQFN-10L dimension definitions

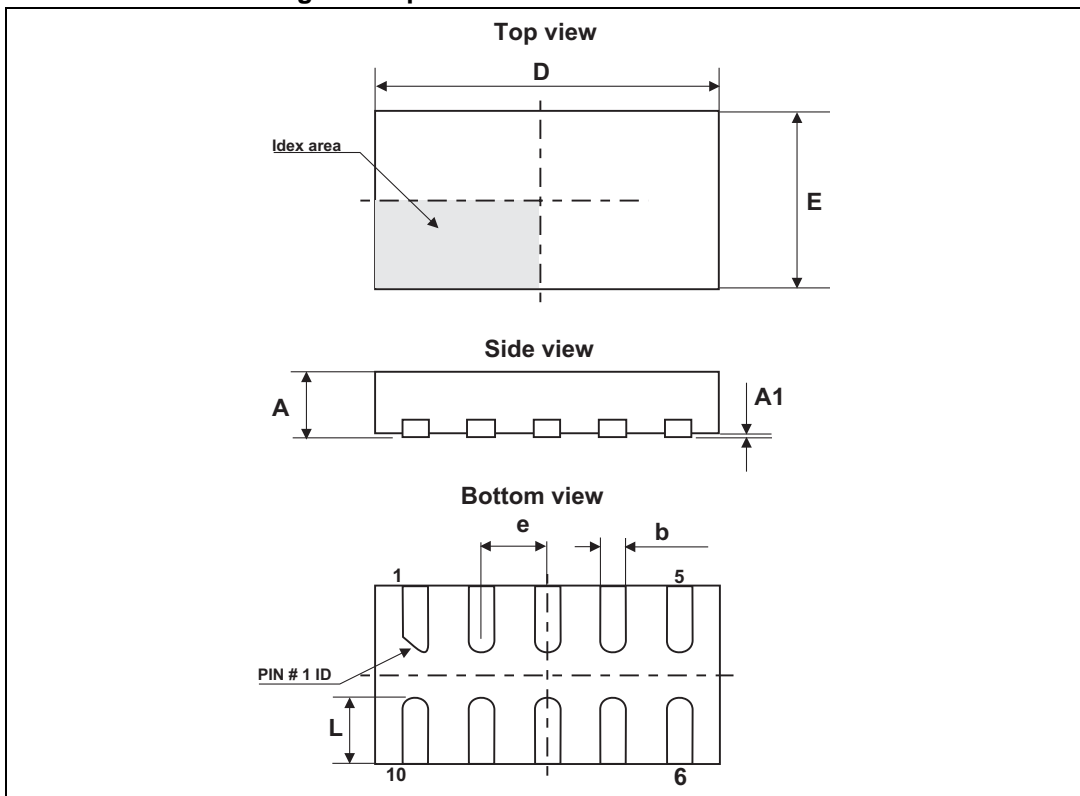


Table 4. μQFN-10L dimension values

Ref.	Dimensions					
	Millimeters			Inches		
	Min.	Typ.	Max.	Min.	Typ.	Max.
A	0.45	0.50	0.55	0.018	0.020	0.022
A1	0.00	0.02	0.05	0.00	0.0008	0.002
b	0.15	0.20	0.25	0.006	0.008	0.010
D	2.55	2.60	2.65	0.1	0.102	0.104
E	1.30	1.35	1.40	0.051	0.053	0.055
e		0.50			0.020	
L	0.40	0.50	0.60	0.016	0.020	0.024

Figure 17. Footprint

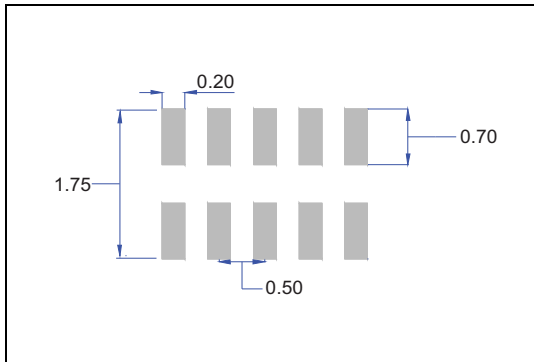
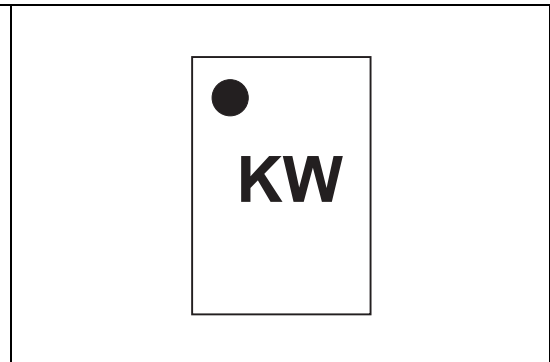
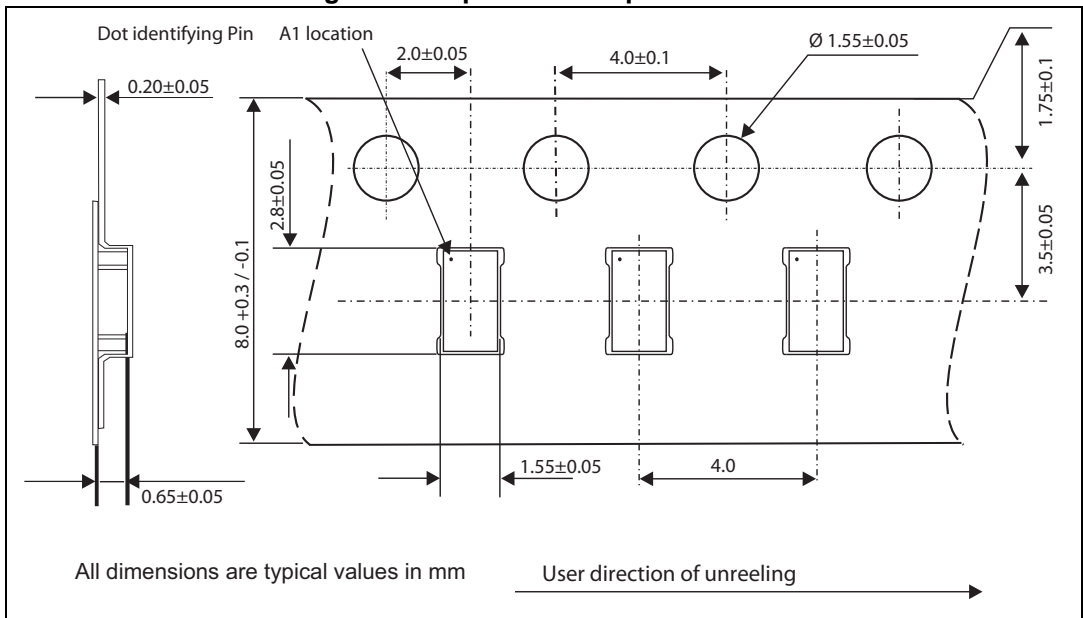


Figure 18. Marking



Note: Product marking may be rotated by multiples of 90° for assembly plant differentiation. In no case should this product marking be used to orient the component for its placement on a PCB. Only pin 1 mark is to be used for this purpose.

Figure 19. Tape and reel specifications



5 Ordering information

Figure 20. Ordering information scheme

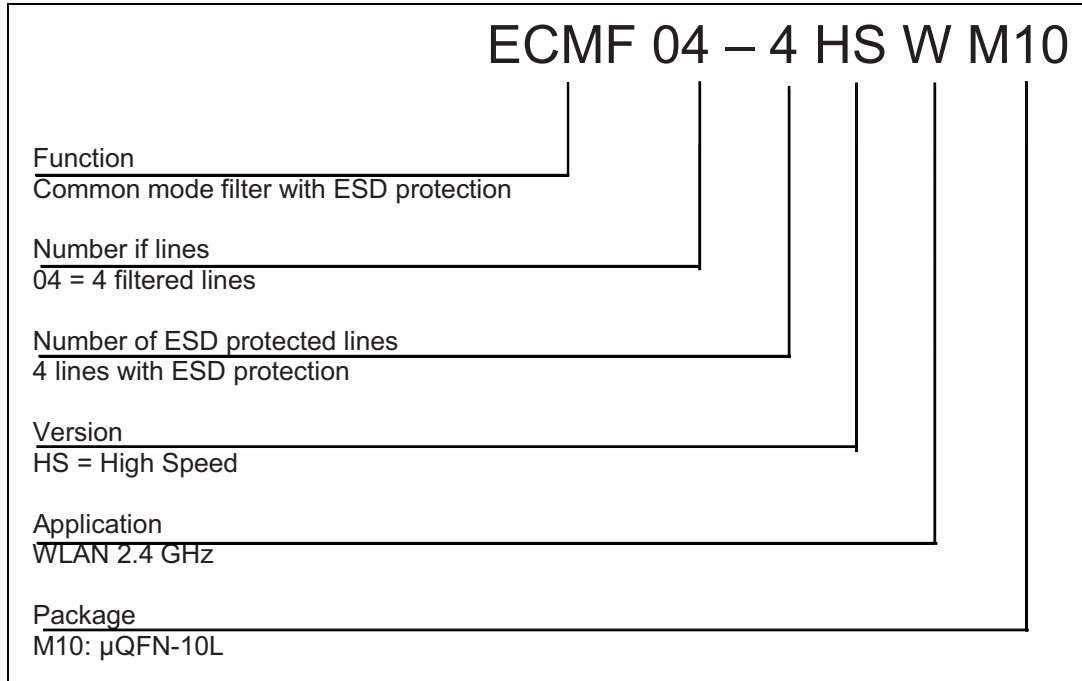


Table 5. Ordering information

Order code	Marking ⁽¹⁾	Package	Weight	Base qty	Delivery mode
ECMF04-4HSWM10	KW	μQFN-10L	5.00 mg	3000	Tape and reel

1. The marking can be rotated by multiples of 90° to differentiate assembly location

6 Revision history

Table 6. Document revision history

Date	Revision	Changes
10-Jun-2014	1	Initial release.
08-Jan-2018	2	Updated Table 1 .

IMPORTANT NOTICE – PLEASE READ CAREFULLY

STMicroelectronics NV and its subsidiaries ("ST") reserve the right to make changes, corrections, enhancements, modifications, and improvements to ST products and/or to this document at any time without notice. Purchasers should obtain the latest relevant information on ST products before placing orders. ST products are sold pursuant to ST's terms and conditions of sale in place at the time of order acknowledgement.

Purchasers are solely responsible for the choice, selection, and use of ST products and ST assumes no liability for application assistance or the design of Purchasers' products.

No license, express or implied, to any intellectual property right is granted by ST herein.

Resale of ST products with provisions different from the information set forth herein shall void any warranty granted by ST for such product.

ST and the ST logo are trademarks of ST. All other product or service names are the property of their respective owners.

Information in this document supersedes and replaces information previously supplied in any prior versions of this document.

© 2018 STMicroelectronics – All rights reserved

Mouser Electronics

Authorized Distributor

Click to View Pricing, Inventory, Delivery & Lifecycle Information:

[STMicroelectronics:](#)

[ECMF04-4HSWM10](#)