

E155010S

(ON ENIMVHD)台票與圖

SPECIFICATION

RATED CURRENT : 7A MAX.(PER CONTACT)
DIELECTRIC WITHSTANDING VOLTAGE: 1500VAC(FOR 1 MINUTE)
INSULATION RESISTANCE : 1000MΩ MIN.(AT 500VDC)
APPLICABLE CABLE OUTER DIAMETER: φ6±0.5

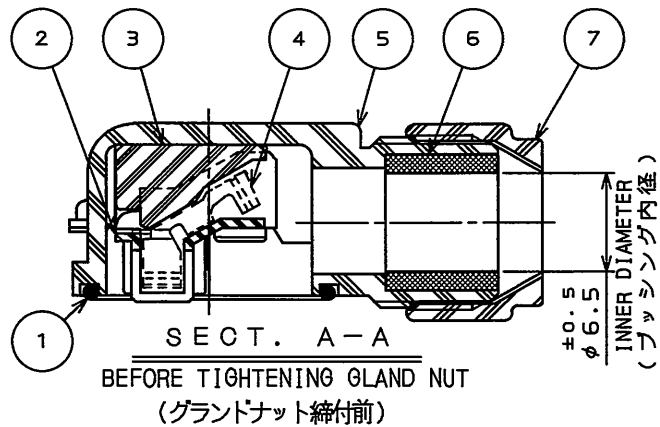
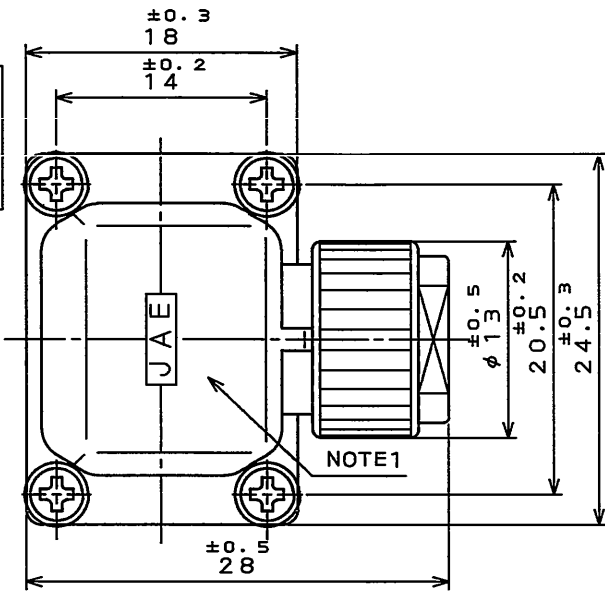
仕様

定格電流 : 7A以下(1芯当り)
耐電圧 : 1500VAC 1分間
絶縁抵抗 : 1000MΩ以上(500VDCにて)
適合ケーブル外径: φ6±0.5

DESIGNATION

命名法

JN6FS04SJ※
MODIFICATION (SEE TABLE 1)
CONTACT SIZE
CONTACT CONFIGURATION (S:CRIMP SOCKET CONTACT)
NO. OF CONTACTS
SHELL SIZE
RECEPTACLE CONFIGURATION (F:ANGLE PLUG)



【FIG.2】JN6FS04SJ2

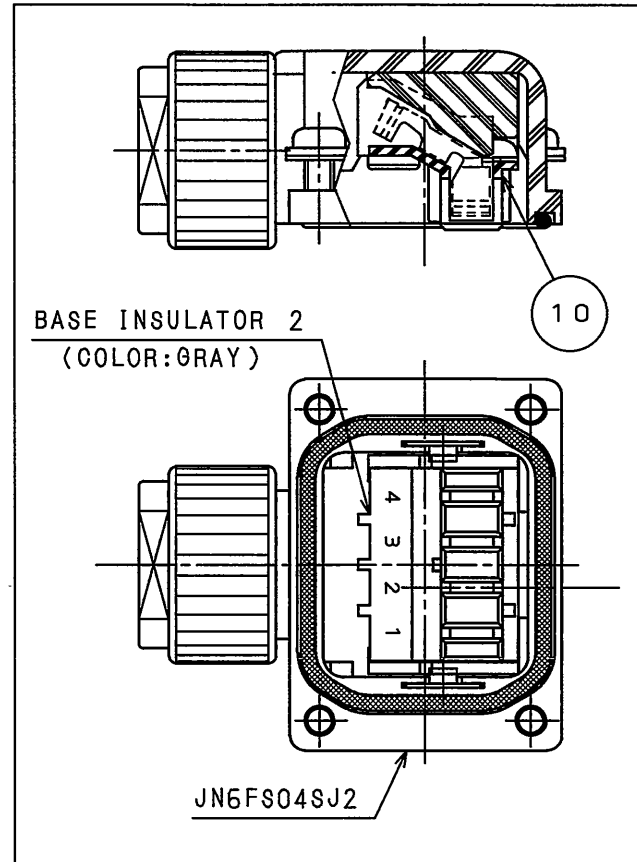
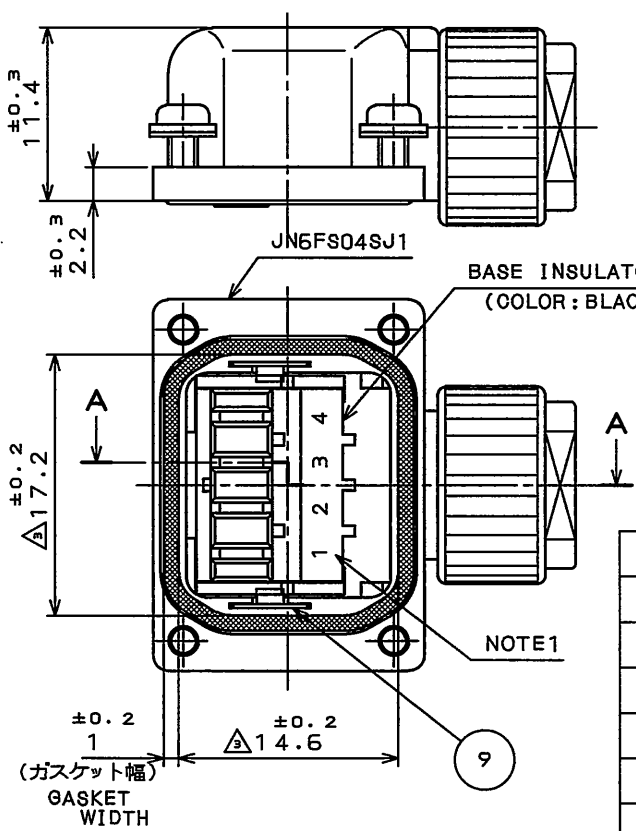
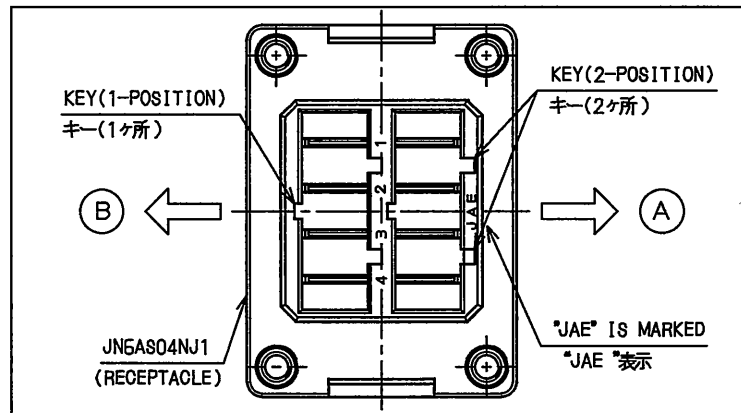


FIG.1 CABLE LEAD-OUT DIRECTION

【図1】ケーブル引出方向



【TABLE 1】PART NUMBER CLASSIFICATION

【表1】品名区分

Table with 3 columns: PART NUMBER, CABLE LEAD-OUT DIRECTION, BASE INSULATOR COLOR. Rows for JN6FS04SJ1 and JN6FS04SJ2.

Table with 4 columns: PART NO., DESCRIPTION, QTY., MATERIAL. Lists components like BASE INSULATOR 2, SPRING, GASKET, etc.

NOTE1.NO. OF CONTACTS AND THE PART NUMBER ARE MARKED AS SHOWN IN THE DRAWING.
2.SCREW ARE TENTATIVELY FIXED.
3.BASE INSULATOR IS DIFFERENT PER PART NUMBER.
BY EXCHANGING PART NUMBER OF PLUG, CABLE EXTENDING DIRECTION IS REVERSED 180 DEGREES. (SEE TABLE-1)
THIS DRAWING SHOWS JN6FS04SJ1. JN6FS04SJ2 IS SHOWN IN FIGURE 2.
4.SOCKET CONTACTS ARE SOLD SEPARATELY.
PART NUMBER OF APPLICABLE CRIMP SOCKET CONTACT IS SHOWN IN TABLE 2.

注1.図示の位置に端子No.及び社名を表示する。
2.ねじは図示の位置に仮止めされている。
3.品名によりベースインシュレータが異なり、プラグ品名を選択することでケーブル引出方向を180°反転させることが可能である。図面はJN6FS04SJ1を示し、【図2】にJN6FS04SJ2を示す。(【図1】【表1】参照)
4.ソケットコンタクトは別売品である。品名を【表2】に示す。

【TABLE 2】APPLICABLE CRIMP SOCKET CONTACT

【表2】適用圧着ソケットコンタクト

Table with 5 columns: CLASSIFICATION, APPLICABLE CONTACT PART NUMBER, APPLICABLE WIRE, INSULATION OUTER DIAMETER, SJ DRAWING NO.

Product information block including specification reference (JAOS-50014), general tolerance, dimensions, angles, and company details (JAE CONNECTOR DIV.).

DOF-0-212F(05.08)



# Mouser Electronics

Authorized Distributor

Click to View Pricing, Inventory, Delivery & Lifecycle Information:

[JAE Electronics:](#)

[JN6AS04NJ1](#) [JN6FR07SM1](#) [JN6FS04SJ1](#) [JN6FS04SJ2](#)