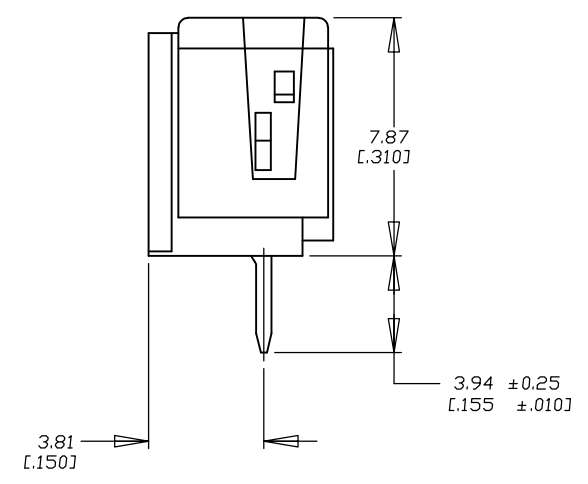
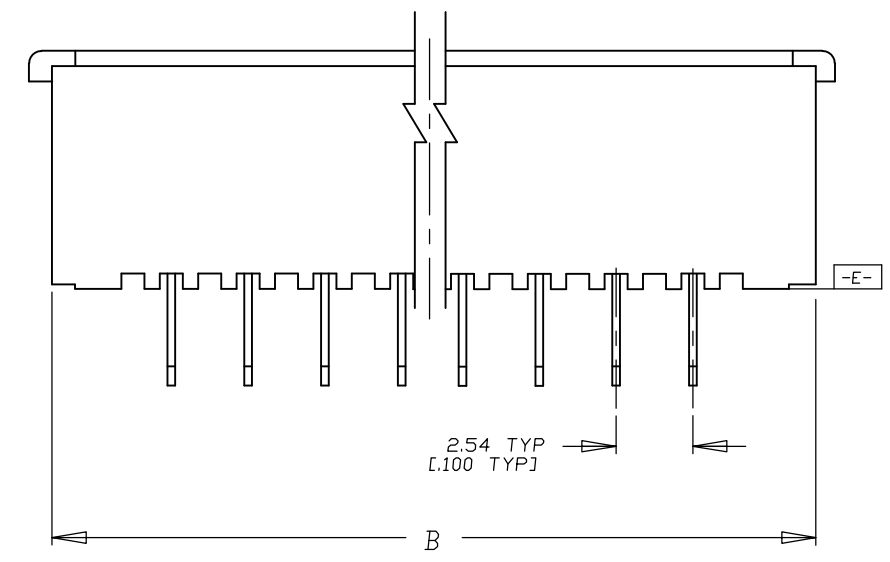
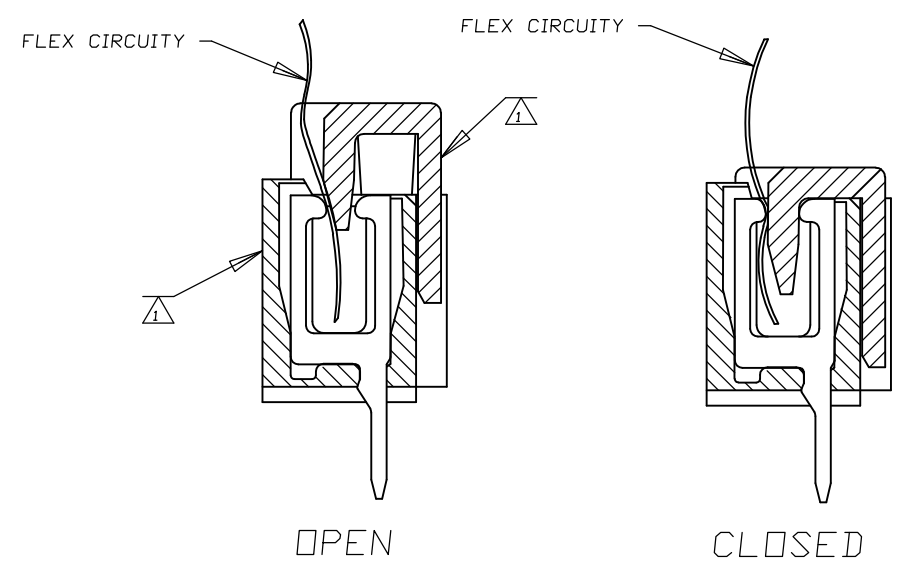
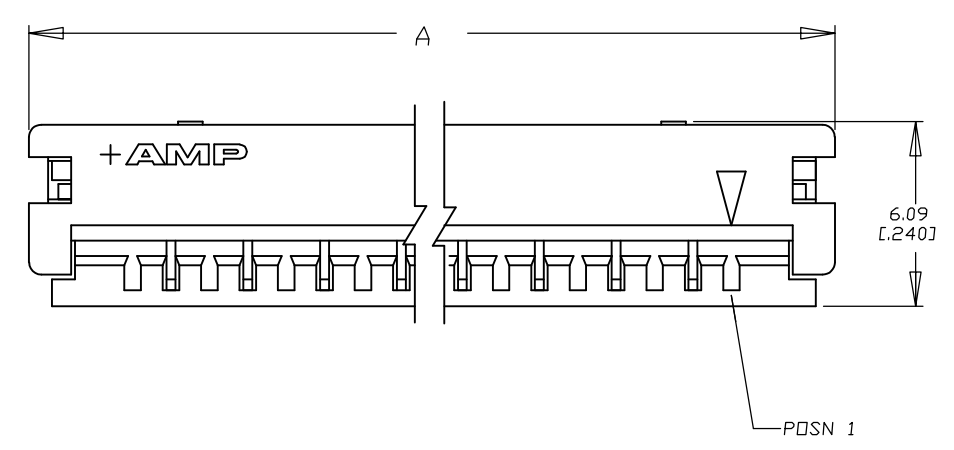


THIS DRAWING IS UNPUBLISHED. RELEASED FOR PUBLICATION .19 .
 © COPYRIGHT 19 By - ALL RIGHTS RESERVED.

REVISIONS				
P	LTR	DESCRIPTION	DATE	APVD
	F5	REVISE PER ECR-17-006818	10MAY17	HX WH



23.11	[0.910]	24.64	[0.970]	7	1-487925-4
51.05	[2.010]	52.58	[2.070]	18	1-487925-3
12.95	[.510]	14.48	[.570]	3	1-487925-2
43.43	[1.710]	44.96	[1.770]	15	1-487925-1
38.35	[1.510]	39.88	[1.570]	13	1-487925-0
35.81	[1.410]	37.34	[1.470]	12	487925-9
33.27	[1.310]	34.80	[1.370]	11	487925-8
28.19	[1.110]	29.72	[1.170]	9	487925-7
30.73	[1.210]	32.26	[1.270]	10	487925-6
61.21	[2.410]	62.74	[2.470]	22	487925-5
56.13	[2.210]	57.66	[2.270]	20	487925-4
45.97	[1.810]	47.50	[1.870]	16	487925-3
40.89	[1.610]	42.42	[1.670]	14	487925-2
25.65	[1.010]	27.18	[1.070]	8	487925-1
'B'		'A'		NO OF POSN	PART NUMBER

- 1 FLAME RETARDANT THERMOPLASTIC; COLOR-BLACK
- 2 FINISH: 0.00381 [0.00150] MIN THK TIN OVER
0.00127 [0.00050] MIN THK NICKEL ON ENTIRE CONTACT.
- 3 CONNECTOR SUPPLIED IN CLOSED CONDITION.

THIS DRAWING IS A CONTROLLED DOCUMENT.		DWN D.KEITZER 30OCT89	TE Connectivity CONNECTOR ASSEMBLY, .100CL, ZIF-LINE 50			
DIMENSIONS: mm		CHK C OBERMAN 2NOV89				
TOLERANCES UNLESS OTHERWISE SPECIFIED:		APVD SE IFONG	NAME			
0 PLC ± - 1 PLC ± - 2 PLC ± - 3 PLC ± .005 4 PLC ± - ANGLES ± -		PRODUCT SPEC 108-16025	CONNECTION SPEC			
MATERIAL		APPLICATION SPEC 114-16014	SIZE	CAGE CODE	DRAWING NO	RESTRICTED TO
HOUSING&STUFFER: 1 CONTACTS: PH/Br		FINISH	WEIGHT	A3	00779	C-487925
CONTACTS 2		CUSTOMER DRAWING		SCALE	SHEET	REV
				8:1	1 OF 1	F5

Mouser Electronics

Authorized Distributor

Click to View Pricing, Inventory, Delivery & Lifecycle Information:

[TE Connectivity:](#)

[487925-8](#)