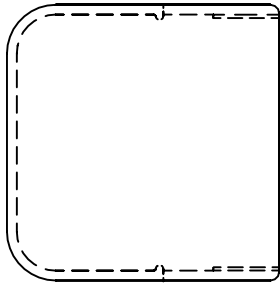


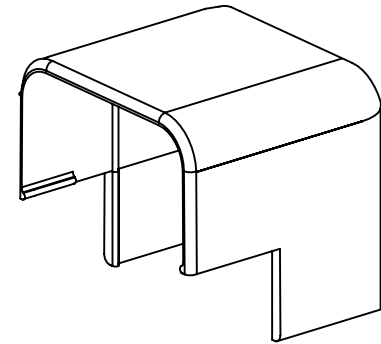
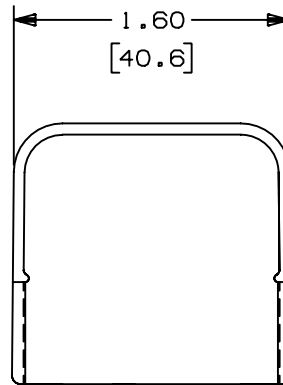
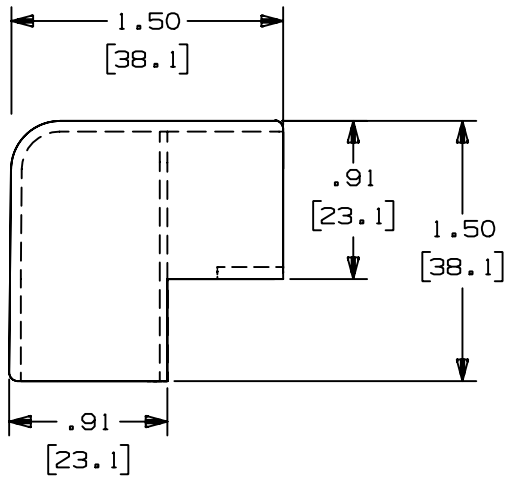
THIS COPY IS PROVIDED ON A RESTRICTED BASIS AND IS NOT TO BE USED IN ANY WAY DETRIMENTAL TO THE INTERESTS OF PANDUIT CORP.



PANDUIT P/N	WEIGHT
OCF10	1.36 LB/ 100PCS. (617g/ 100PCS.)

NOTES:

1. SEE CURRENT CATALOG FOR ADDITIONAL PART SUFFIXES TO INDICATE COLOR AND OR PACKAGE QUANTITY.
2. DIMENSIONS IN PARENTHESIS ARE IN METRIC.



CAD FILENAME/LAYERS D34116BE\_DC\_OCF10\_02B.PRT

**PANDUIT** CORP. TINLEY PARK, ILLINOIS  
**OUTSIDE CORNER FITTING (OCF10)**  
 CUSTOMER DRAWING

REV	DATE	BY	CHK	DESCRIPTION	ECN	R	CUST	SUP
5	09-06-00	JHNU	HIW	E. REVISED AND REDRAWN	17777	HIW	HIW	
4	10-03-91	DW	CF	D. REV'D NOTE AND REMOVED COLOR FROM DWG	17777	4	WJB/CF	
3	02-28-91	DW	CF	C. REV'D COLORS: OMIT BLACK, BEIGE, LIGHT IVORY, AND LIGHT GREY. ADDED INT. WHITE AND INT. GREY	17777	3	WJB	
2	12-02-87	LDB	WJB	B. ADDED P/N OCF10E1 AND OCF10L1	17777	2	WJB	
1	10-01-84	FEW	HMP	A. REVISED MAT'L	17777	1	AJC	
R	11-04-82	SS	HMP	DRAWING RELEASED	17777	R	JKR	

UNLESS OTHERWISE SPECIFIED, DIMENSIONAL TOLERANCES ARE: (.X) ± (.XXX) ± (.XX) ±.03 (.8) ANGLES ±		UNLESS OTHERWISE SPECIFIED, ALL DIMENSIONS ARE GIVEN IN INCHES, THIRD ANGLE PROJECTION.	
DRAWN BY SARGIS	MAT'L: POLYSTYRENE	SCALE FULL	
DATE 11-04-82		DRAWING NO. SS-17777	DWG SIZE A
CHK'D JVL			

# Mouser Electronics

Authorized Distributor

Click to View Pricing, Inventory, Delivery & Lifecycle Information:

Panduit:

[OCF10EI-X](#) [OCF10IG-X](#) [OCF10IW-X](#) [OCF10WH-X](#)