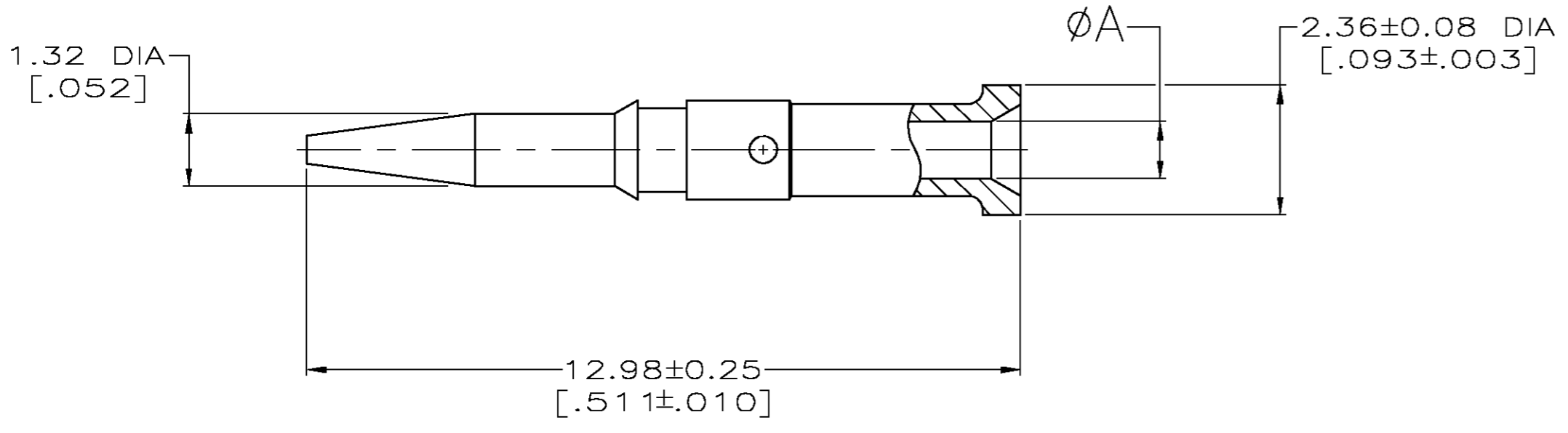


THIS DRAWING IS UNPUBLISHED. RELEASED FOR PUBLICATION
 © COPYRIGHT BY TYCO ELECTRONICS CORPORATION. ALL RIGHTS RESERVED.

| LOC | DIST | REVISIONS | | | | | |
|-----|------|-----------|-----|----------------------|----------|-----|------|
| | | P | LTR | DESCRIPTION | DATE | DWN | APVD |
| AJ | 16 | | H | REV PER OS14-0336-04 | 09-28-04 | JDP | JL |



- 1 TIN-LEAD PL PER ASTM-B-545
- 2 GOLD PL PER MIL-G-45204
- 3 SILVER PL PER QQ-S-365
- 4 TIN PL PER ASTM-B-545 WITH SUPPLEMENTAL ANTI-FRETTING LUBRICANT.
- 5. BRASS PER ASTM B-16

| | | |
|---|-------------|------------|
| 4 | 0.38 [.015] | 9-221607-4 |
| 4 | 0.61 [.024] | 9-221607-3 |
| 4 | 0.79 [.031] | 9-221607-2 |
| 4 | 0.79 [.031] | 9-221607-1 |
| 4 | 0.99 [.039] | 9-221607-0 |
| 2 | 1.19 [.047] | 2-221607-8 |
| 3 | 0.38 [.015] | 2-221607-6 |
| 2 | 0.38 [.015] | 2-221607-5 |
| 1 | 0.38 [.015] | 2-221607-4 |
| 2 | 0.61 [.024] | 2-221607-2 |
| 3 | 0.61 [.024] | 2-221607-1 |
| 1 | 0.61 [.024] | 2-221607-0 |
| 3 | 1.12 [.044] | 1-221607-8 |
| 1 | 1.12 [.044] | 1-221607-7 |
| 2 | 1.12 [.044] | 1-221607-6 |
| 2 | 0.79 [.031] | 1-221607-4 |
| 3 | 0.79 [.031] | 221607-8 |
| 3 | 0.99 [.039] | 221607-7 |
| 2 | 0.79 [.031] | 221607-6 |
| 2 | 0.99 [.039] | 221607-5 |
| 1 | 0.79 [.031] | 221607-4 |
| 1 | 0.99 [.039] | 221607-2 |

OBSOLETE

FINISH ØA PART #

| | | | | |
|--|--|--|---|-------------------------------|
| THIS DRAWING IS A CONTROLLED DOCUMENT. | | DWN M. SNEED 5-10-90 | Tyco Electronics Corporation Harrisburg, Pa 17105-3608 | |
| DIMENSIONS: INCHES | | CHK D. LAMAN 7-6-90 | NAME | |
| | | TOLERANCES UNLESS OTHERWISE SPECIFIED: | | CONTACT, MALE BNC |
| MATERIAL | | APVD | PRODUCT SPEC | RESTRICTED TO |
| SEE TABLE | | APPLICATION SPEC | WEIGHT | SCALE 10:1 SHEET 1 OF 1 REV H |
| | | FINISH | SIZE A2 CAGE CODE 00779 DRAWING NO C=221607 | |
| | | FINISH | CUSTOMER DRAWING | |

Mouser Electronics

Authorized Distributor

Click to View Pricing, Inventory, Delivery & Lifecycle Information:

[TE Connectivity:](#)

[1-221607-5](#)