

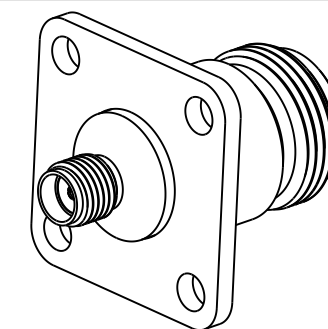
NOTES:

1. MATERIALS AND FINISHES:  
 BODY & FLANGE - STAINLESS STEEL, PASSIVATED  
 CONTACT - BeCu, GOLD PLATING  
 INSULATOR - PTFE, NATURAL  
 PIN - DELRIN
2. ELECTRICAL:  
 A. IMPEDANCE: 50 OHM  
 B. FREQUENCY RANGE: DC - 7 GHz  
 C. VSWR : 1.075 (DC-3 GHz)  
           1.20 (3-7 GHz)
3. MECHANICAL:  
 A. DURABILITY: 500 CYCLES MIN.  
 B. TEMPERATURE RANGE: -65° C TO +165° C
4. PACKAGING:  
 A. QUANTITY: SINGLE PACK  
 B. MARKING: BAG TO BE MARKED  
    "AMPHENOL RF, 901-9720, AND DATE CODE"

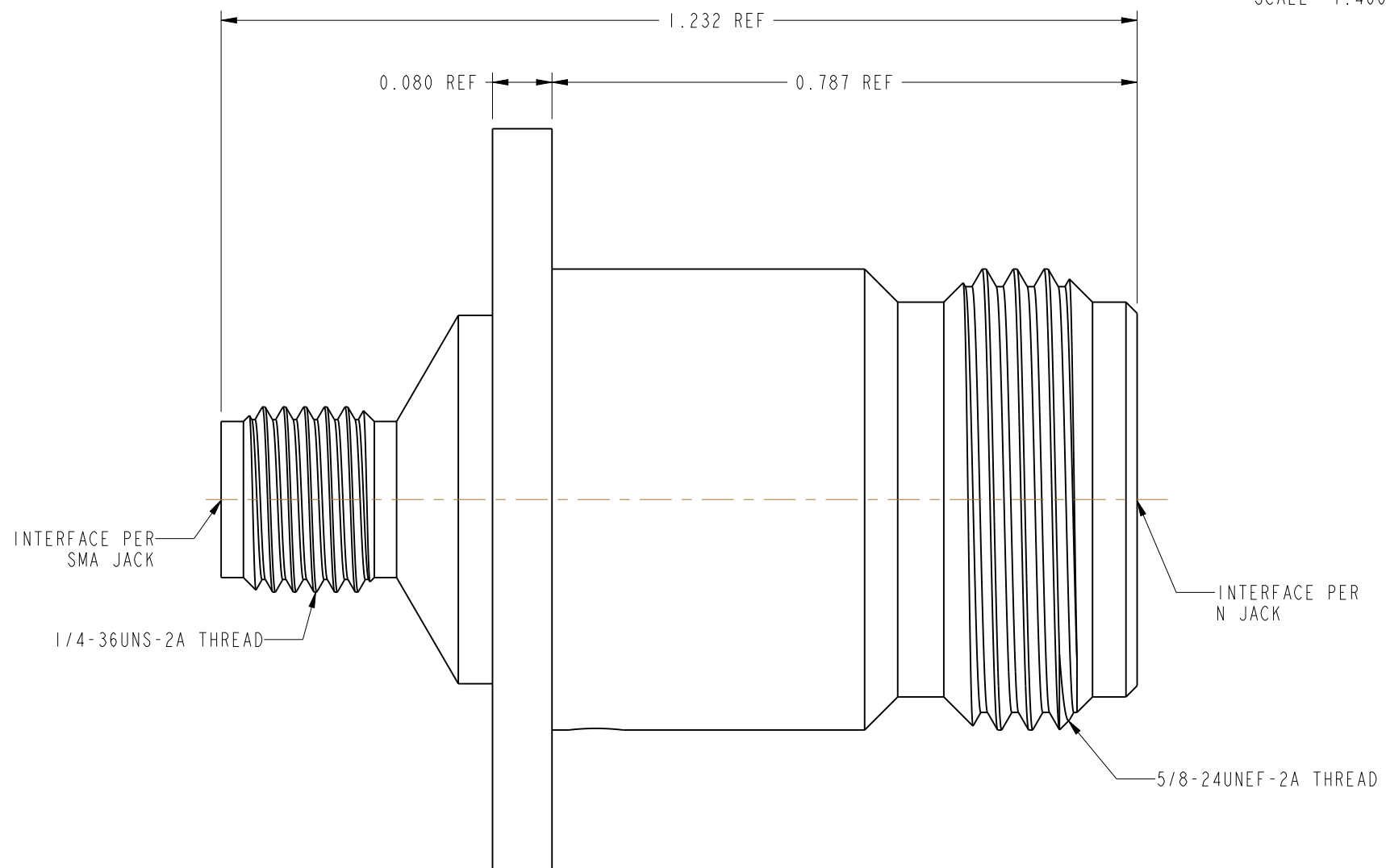
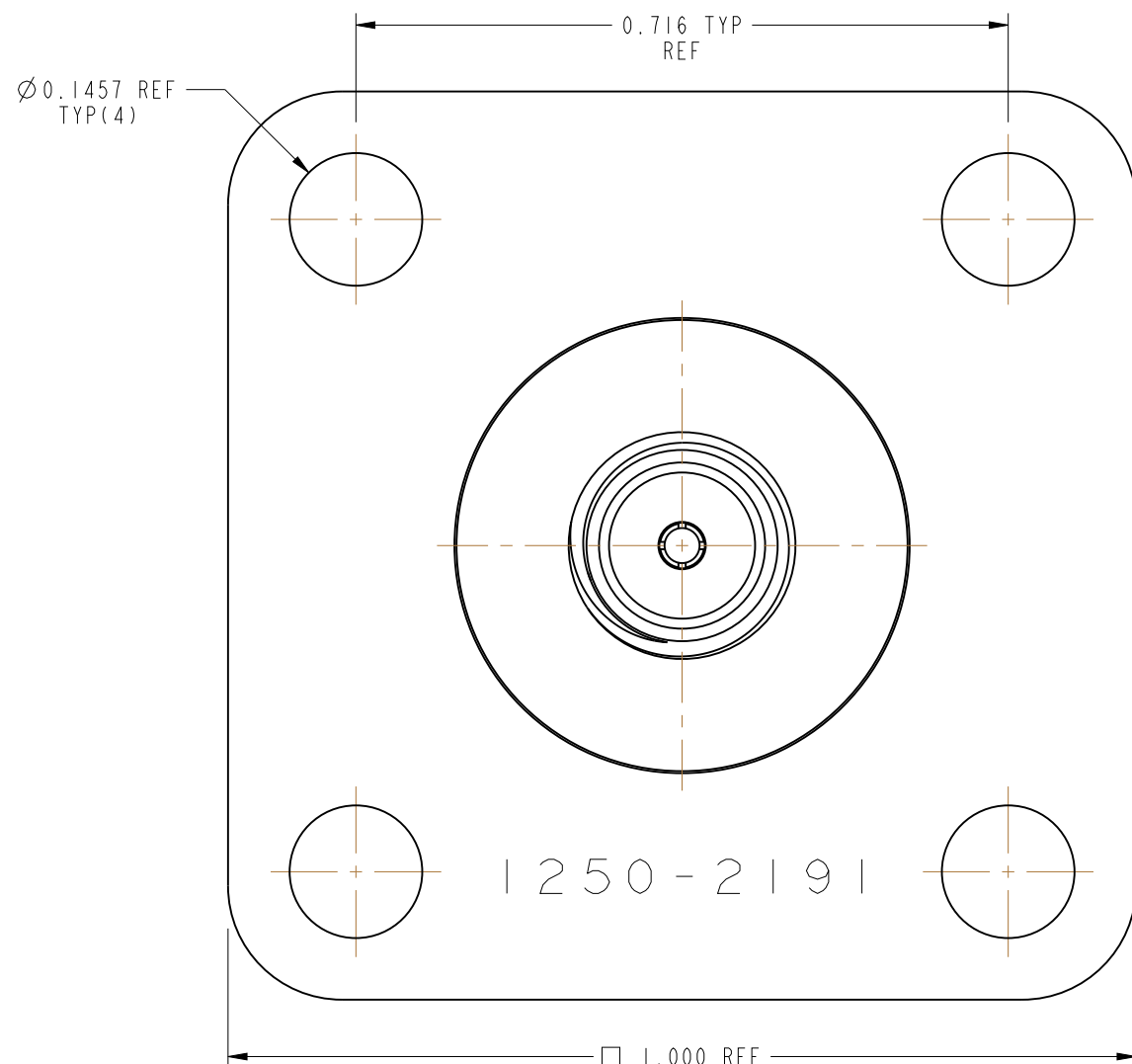
THIRD ANGLE PROJ.

REVISIONS

REV	DESCRIPTION	DATE	ECO	APPR
--	RELEASE TO MFG.	--	--	--
J	REDRAWN IN PRO-E & COD SHEET ADDED	7/1/15	49810	AAP



SCALE 1.400



**CUSTOMER OUTLINE DRAWING**

ALL OTHER SHEETS ARE FOR INTERNAL USE ONLY

UNLESS OTHERWISE SPECIFIED, DIMENSIONS ARE IN INCHES AND TOLERANCES ARE:  
 2 PLACE DECIMAL      3 PLACE DECIMAL      ANGLES  
 ±.015 (0,381 mm)      ±.005 (0,127 mm)      ± 1°

NOTICE - These drawings, specifications, or other data (1) are, and remain the property of Amphenol corp. (2) must be returned upon request; and (3) are confidential and not to be disclosed to any person other than those to whom they are given by Amphenol Corp. the furnishing of these drawings, specifications, or other data by Amphenol Corp., or to any other person to anyone for any purpose is not to be regarded by implication or otherwise in any manner licensing, granting rights to permitting such holder or any other person to manufacture, use or sell any product, process or design, patented or otherwise, that may in any way be related to or disclosed by said drawings, specifications, or other data.

MATERIAL	SEE NOTES
REFERENCE	HP 1250-2191 REV-F EAR # 961188
CONFIGURATION LEVEL:	In Work
FINISH	

DRAWN	A ARUN PRABU	DATE	26-Nov-13
ENGINEER	D.ROYCE	DATE	01-Aug-95
APPROVED	K. CAPOZZI	DATE	6/30/15
CAD FILE			

TITLE		SMA JACK TO N JACK ADAPTER 7 GHz	
SCALE:	4.8:1.0	SHEET	2 OF 2
DWG SIZE	B	REV	J

Amphenol RF	
www.amphenolrf.com	
DRAWING NO.901-9720	
ITEM NO.901-9720	
PART NO.901-9720	

# Mouser Electronics

Authorized Distributor

Click to View Pricing, Inventory, Delivery & Lifecycle Information:

[Amphenol:](#)

[901-9720](#)