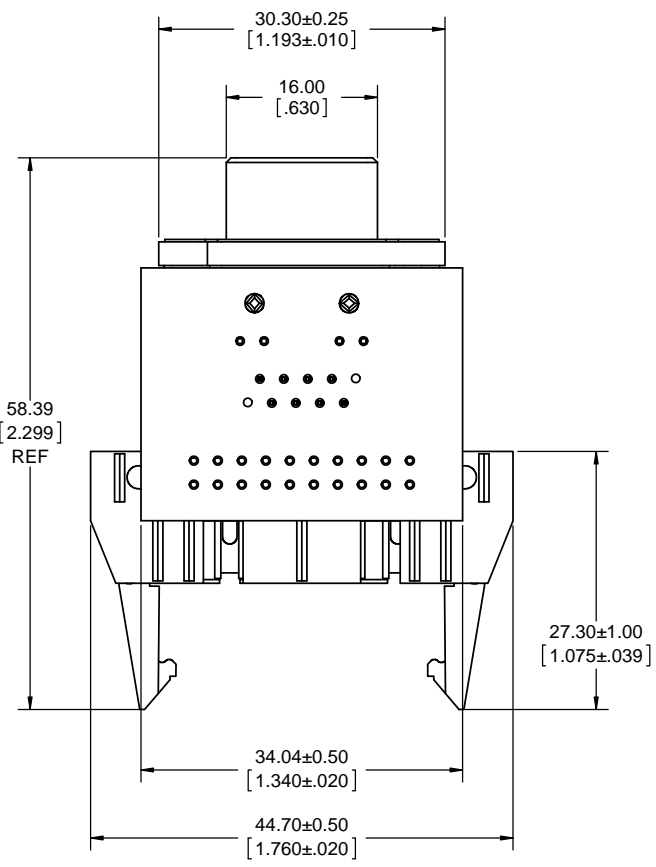
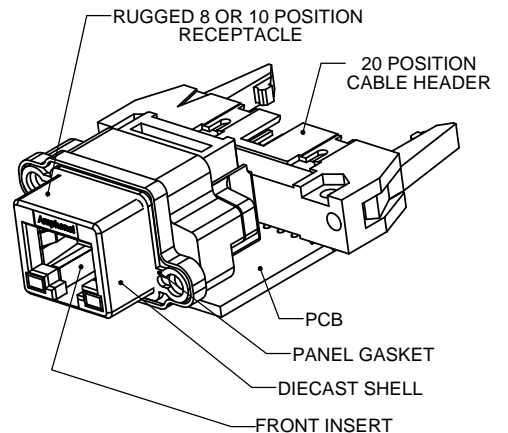
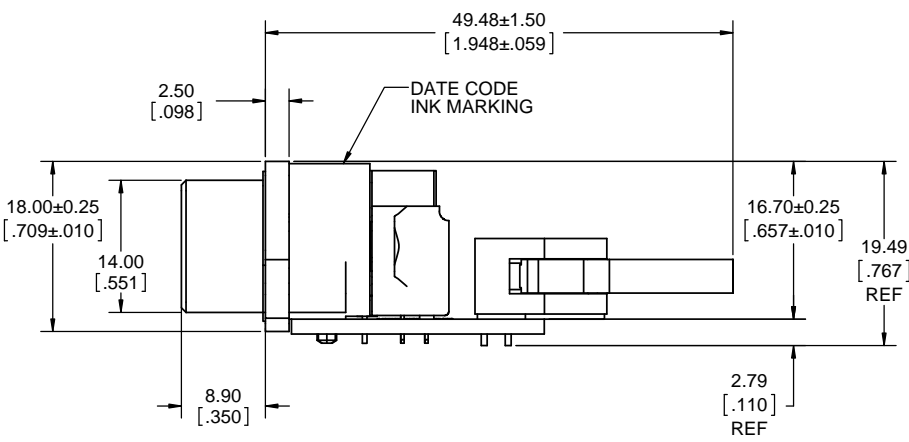
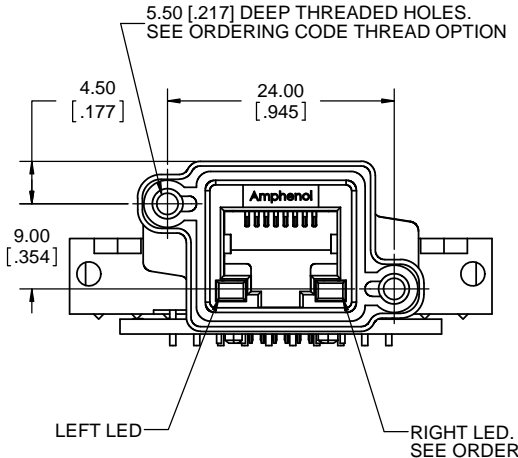


REVISIONS			
REV	DESCRIPTION, ECN, EAR NO.	DATE	APP'D
A	PRODUCT DRAWING (EAR 13977)	JAN31/13	KL



ORDERING CODE: MRJR-55XX-X1

- SERIES, RUGGED RJ
- RECEPTACLE, RIGHT ANGLE, ON PCB WITH RIGHT ANGLE CABLE HEADER
- NUMBER OF CONTACTS:
8 = 8
A = 10
- LED OPTION:
0 = NONE
1 = LEFT GREEN, RIGHT YELLOW
4 = LEFT YELLOW, RIGHT GREEN
5 = LEFT GREEN, RIGHT GREEN
- MOUNTING HOLE THREAD OPTION:
0 = #4-40 UNC THREAD
M = M3 X 0.5 THREAD
- SINGLE PORT

SPECIAL CONNECTORS
MANY UNIQUE FEATURES ARE READILY AVAILABLE TO SUIT CUSTOMER REQUIREMENTS. CONSULT WITH AMPHENOL CANADA FOR DETAILS.

NOTES:

1. MATERIAL:
ALL MATERIALS ARE RoHS COMPLIANT PER EU DIRECTIVE 2011/65/EU AND AMENDMENTS
 - SHELL - DIECAST ZINC, NICKEL PLATED
 - CONTACTS - PHOSPHOR BRONZE WITH 1.27µm [50µ"] GOLD OVER 1.27µm [50µ"] MINIMUM NICKEL ON THE MATING AREA AND MATTE TIN OVER NICKEL ON THE CONTACT TAILS.
 - INSERTS - ENGINEERING THERMOPLASTIC, UL94V-0 FLAMMABILITY RATING, REAR INSERTS: BLACK NYLON, FRONT INSERT: CLEAR POLYCARBONATE
 - PANEL GASKET - CONDUCTIVE SILICONE RUBBER, BLACK
 - LED'S - EPOXY LENS, STEEL TAILS WITH TIN PLATING
 - PCB - FR-4 FIBERGLASS, LEAD FREE
 - CABLE HEADER: THERMOPLASTIC HOUSING (UL94V-0, BLACK) WITH BRASS CONTACTS (PLATED GOLD OVER NICKEL), TYCO P/N 5499786-4 OR EQUIVALENT, HEADER MATES WITH TYCO RECEPTACLE 1658620-4 WITH STRAIN RELIEF 499252-2 OR EQUIVALENT
2. ENVIRONMENTAL PERFORMANCE PER IEC 60529 CODE IP67 FOR SEAL BETWEEN MATING AREA AND PCB SIDE OF CONNECTOR. GASKET PROVIDES SEAL TO INSIDE FACE OF PANEL.
3. CURRENT RATING: 1.5 AMPERES
4. CONTACT RESISTANCE: 100 MILLIOHMS MAXIMUM (SUBJECT TO VERIFICATION)
5. OPERATING TEMPERATURE: -40C TO +105C
6. LED CHARACTERISTICS: FORWARD DC CURRENT 25 mA MAX, FORWARD VOLTAGE 2.5V MAX @ 2 mA
7. AVAILABLE MATING AREA COVERS PROVIDE ADDED PROTECTION. CONSULT WITH AMPHENOL CANADA FOR DETAILS.
8. RECOMMENDED TORQUE FOR PANEL MOUNT SCREWS: 0.45 TO 0.65 Nm [4.0 TO 5.75 IN-LBS] FOR STEEL SCREWS WITH 3.00 [.118] THREAD ENGAGEMENT.
9. CUSTOMER TO VERIFY THAT ALL PROCESS CLEANERS ARE COMPATIBLE WITH POLYCARBONATE MATERIAL.



UNLESS SPECIFIED OTHERWISE	DRAWN	D.WENG	JAN09/13
PRIMARY UNITS MILLIMETERS	CHECKED		
SECONDARY INCHES	M.E. APP'D		
REFERENCE IN PARENTHESES	Q.A. APP'D		
GENERAL TOLERANCES	DWG APPR.	K.LAMBIE	JAN31/13
1 DECIMAL PLACE	ENG. REL. NO.	EAR 13977	
2 DECIMAL PLACES ±0.15	REF.		
3 DECIMAL PLACES	THIRD ANGLE PROJECTION		
ANGULAR DEGREES	DO NOT SCALE DRAWING		

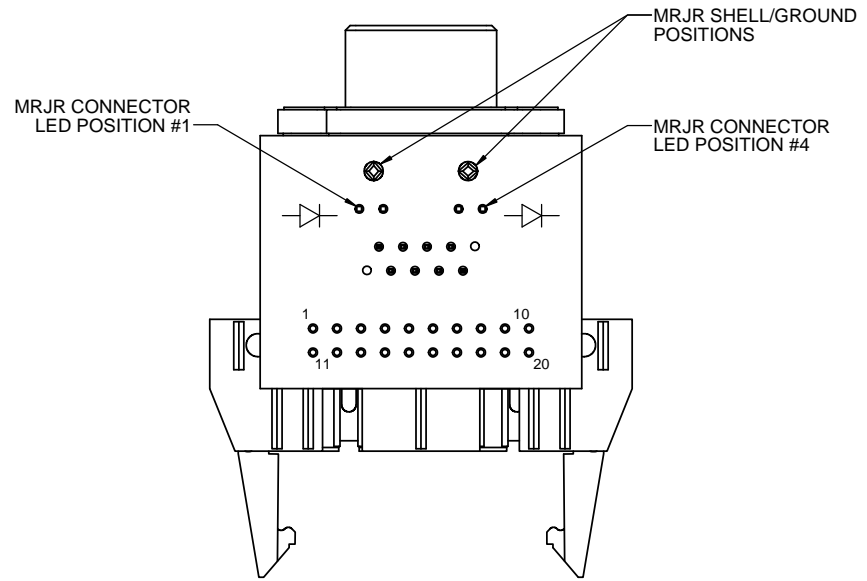
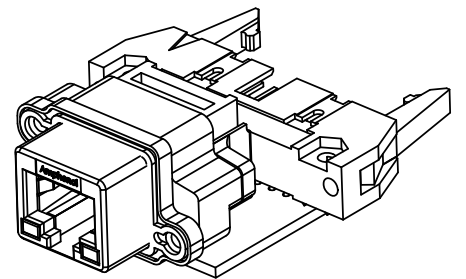
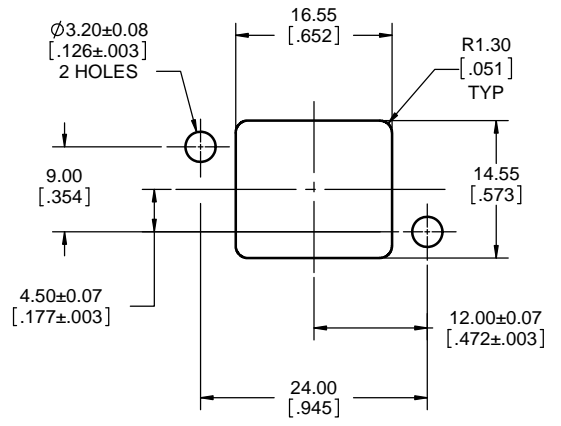
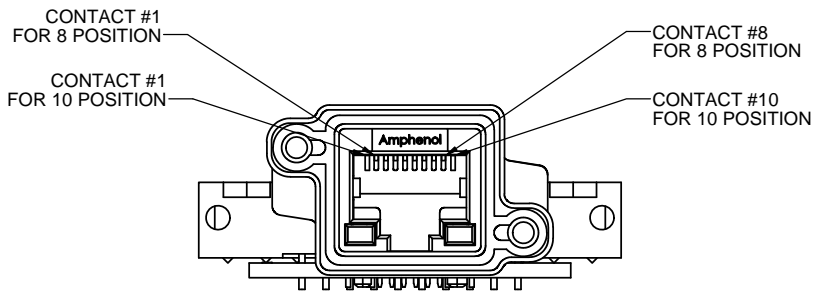
Amphenol Canada Corp.
www.amphenolcanada.com

MRJR SERIES RUGGED MODULAR JACK, ON PCB WITH RIGHT ANGLE CABLE HEADER, 8 OR 10 POSITION, LED & THREAD OPTIONS, ROHS COMPLIANT

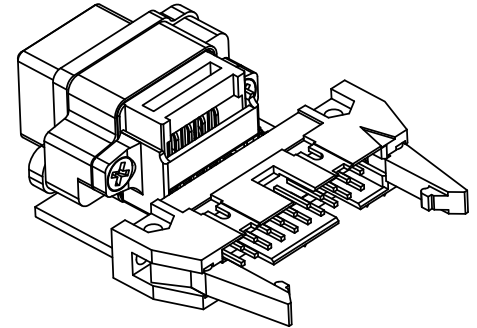
DWG. NO. **P-MRJR-55XX-X1** REV **A**

CODE ID NO. 03554 DWG SIZE: X SCALE: 5:2 SHEET 1 OF 2

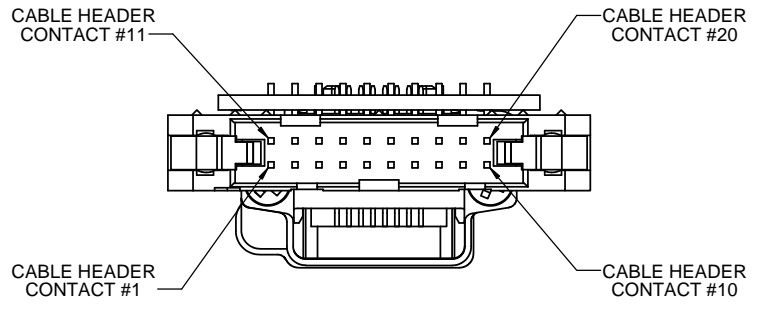
REVISIONS			
REV	DESCRIPTION, ECN, EAR NO.	DATE	APP'D
A	PRODUCT DRAWING (EAR 13977)	JAN31/13	KL



RECOMMENDED PANEL CUTOUT
OUTSIDE PANEL VIEW



MRJR TO HEADER CONNECTIONS CHART		
MRJR CONNECTOR STYLE		CABLE HEADER CONTACTS
8 POSITION	10 POSITION	
SHELL/GROUND	SHELL/GROUND	10
--	1	2
1	2	12
2	3	3
3	4	13
4	5	4
5	6	14
6	7	5
7	8	15
8	9	6
--	10	16
LED1	LED1	1
LED2	LED2	11
LED3	LED3	7
LED4	LED4	17



UNLESS SPECIFIED OTHERWISE	DRAWN	D.WENG	JAN09/13
PRIMARY UNITS MILLIMETERS	CHECKED		
SECONDARY INCHES	M.E. APP'D		
REFERENCE IN PARENTHESES	Q.A. APP'D		
GENERAL TOLERANCES	DWG APPR.	K.LAMBIE	JAN31/13
1 DECIMAL PLACE	ENG. REL. NO.	EAR 13977	
2 DECIMAL PLACES ±0.15	REF.		
3 DECIMAL PLACES	THIRD ANGLE PROJECTION		
ANGULAR DEGREES	DO NOT SCALE DRAWING		

Amphenol Canada Corp.
www.amphenolcanada.com

MRJR SERIES RUGGED MODULAR JACK, ON PCB WITH RIGHT ANGLE CABLE HEADER, 8 OR 10 POSITION, LED & THREAD OPTIONS, ROHS COMPLIANT

DWG. NO. **P-MRJR-55XX-X1** REV **A**

CODE ID NO. 03554 DWG SIZE: X SCALE: 5:2 SHEET 2 OF 2

Mouser Electronics

Authorized Distributor

Click to View Pricing, Inventory, Delivery & Lifecycle Information:

Amphenol:

[MRJR5384M1](#) [MRJ518101](#) [MRJR5381B1](#) [MRJR5380M1](#) [MRJR54850F](#) [MRJR3460MF](#) [MRJR53A401](#)
[MRJR3464MF](#) [MRJR5580M1](#) [MRJ5785M1](#) [MRJR53A501](#) [MRJ54810N](#) [MRJR5485MF](#) [MRJR5384B1](#) [MRJ5385M1](#)
[MRJR3465MF](#) [MRJR34640F](#) [MRJR53A0M1](#) [MRJR5584M1](#) [MRJR558501](#) [MRJR5481MF](#) [MRJ5180MF](#)
[MRJR53A4M1](#) [MRJR5385B1](#) [MRJR5480MF](#) [MRJR5484MF](#) [MRJ51840F](#) [MRJR53A1M1](#) [MRJR3360M1](#)
[MRJR5380B1](#) [MRJR3461MF](#) [MRJR53A4B1](#) [MRJR558401](#) [MRJR53A0B1](#) [MRJR5585M1](#) [MRJ5780M1](#)
[MRJR53A1B1](#) [MRJ54850F](#) [MRJR53A5M1](#) [MRJR53A5B1](#) [MRJ6380M1](#) [MRJR5381M1](#) [MRJR53A001](#) [MRJR558001](#)
[MRJR53A101](#) [MRJ258622BP](#) [MRJR34650F](#) [MRJR538501](#) [MRJR54840F](#) [MRJR558101](#) [MRJR34610F](#)
[MRJ5380M1](#) [MRJR5581M1](#) [MRJ5385013](#)