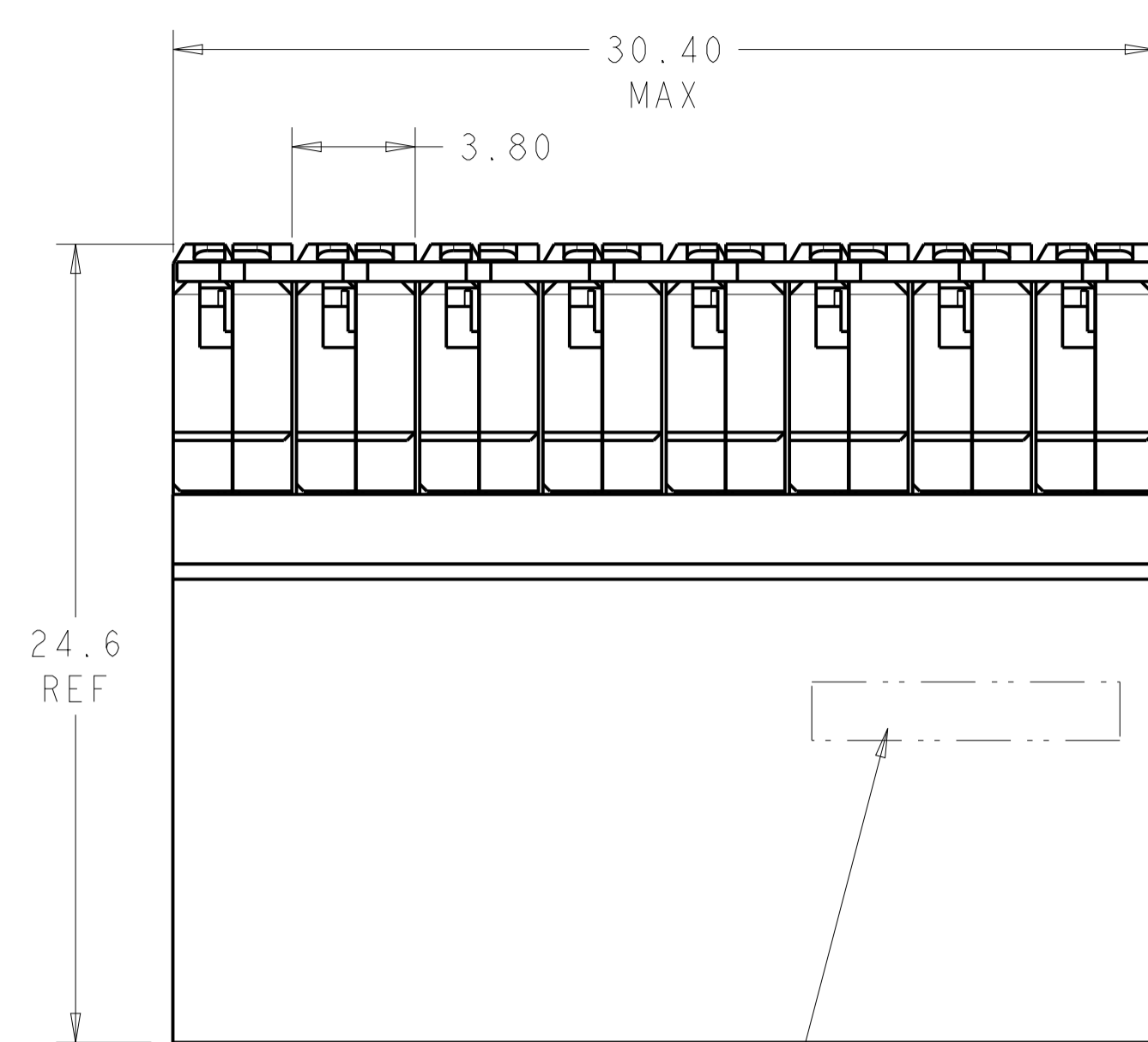
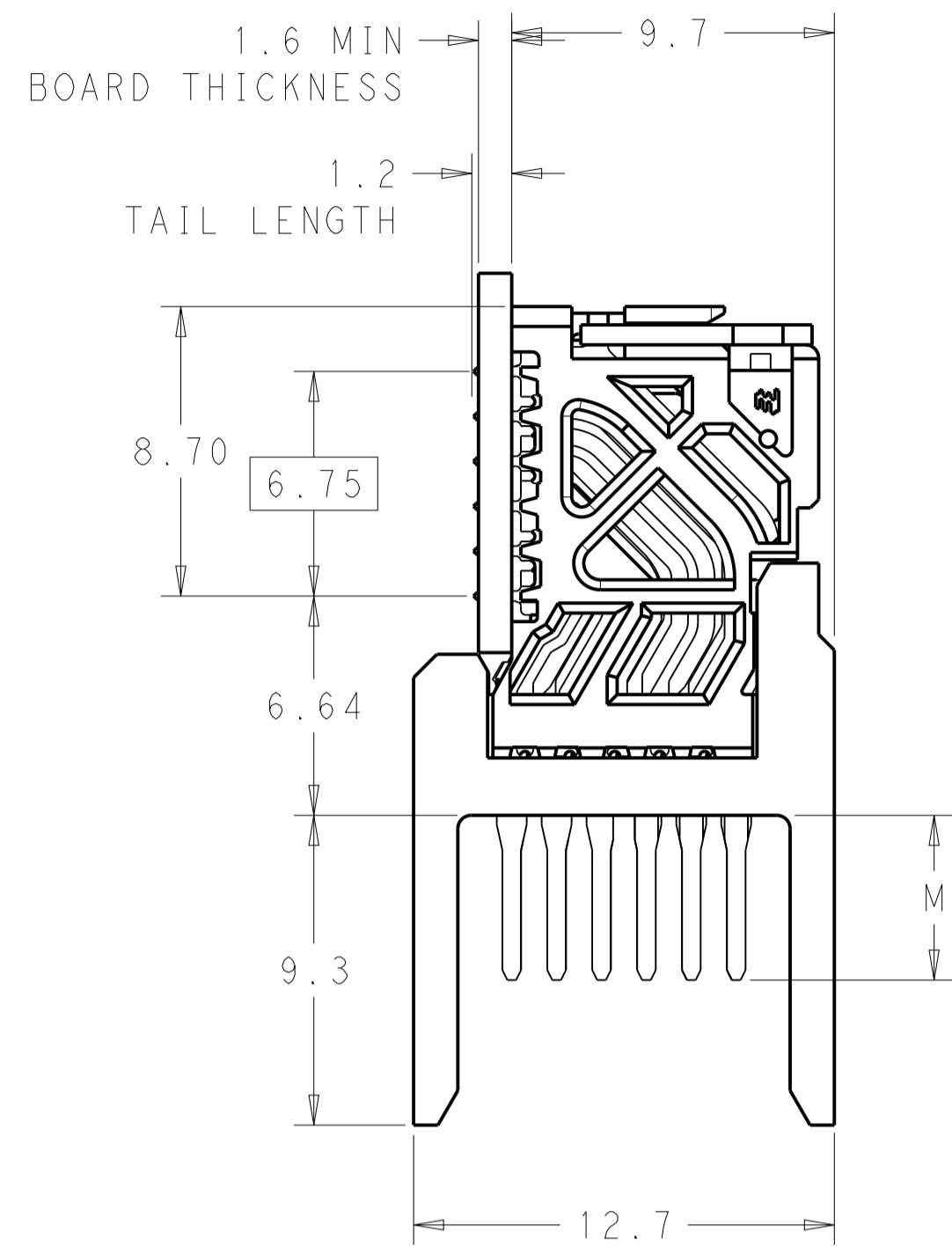
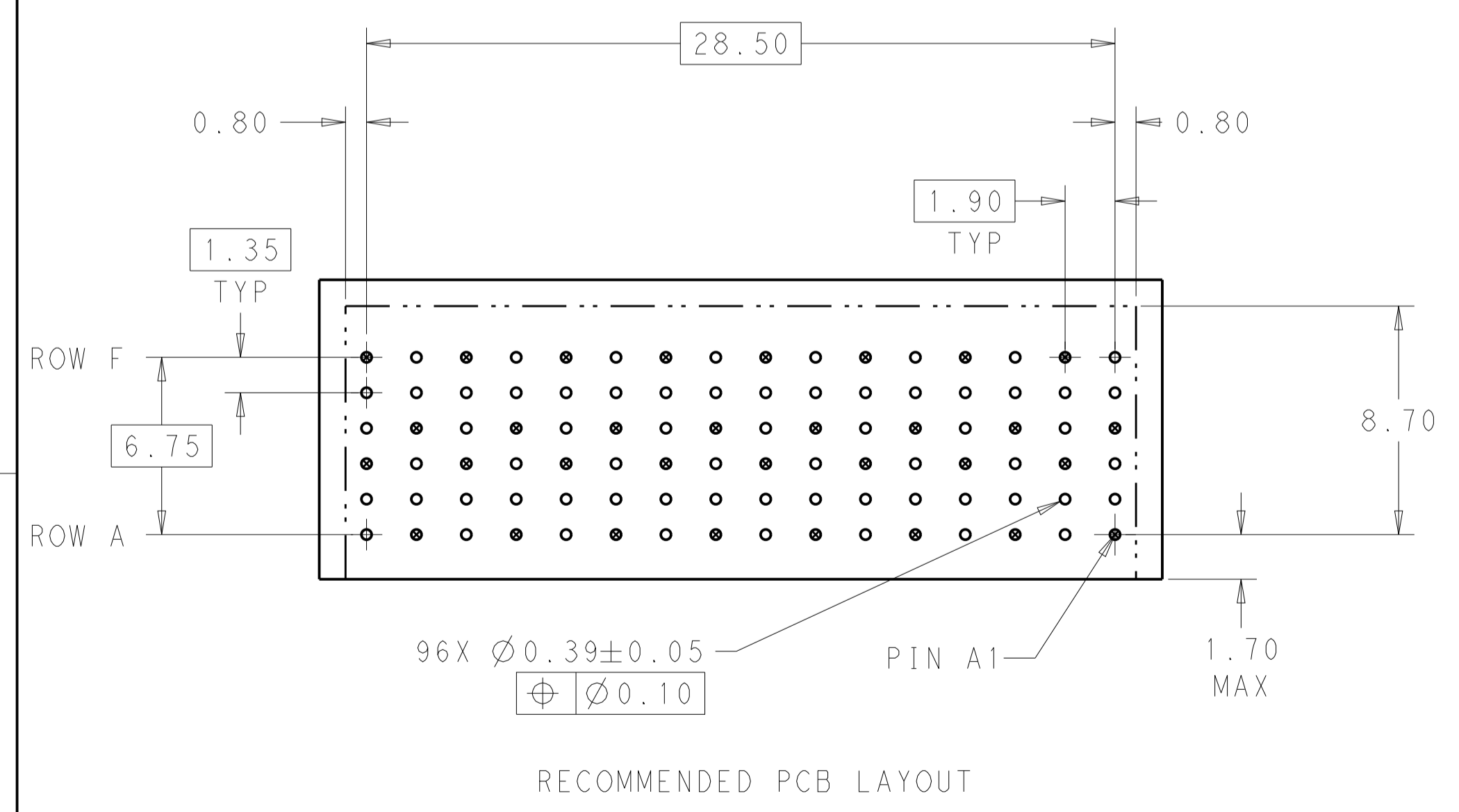
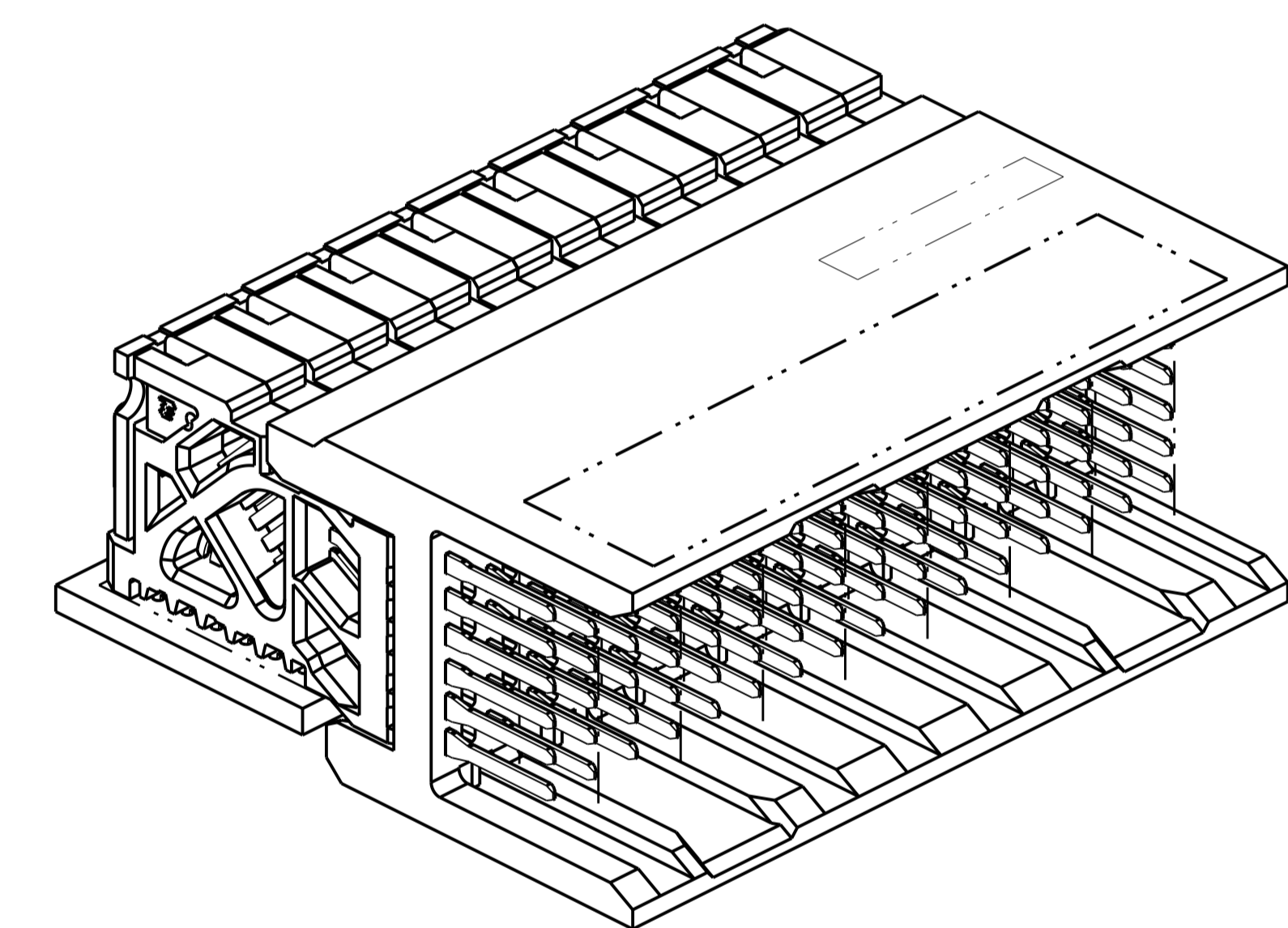
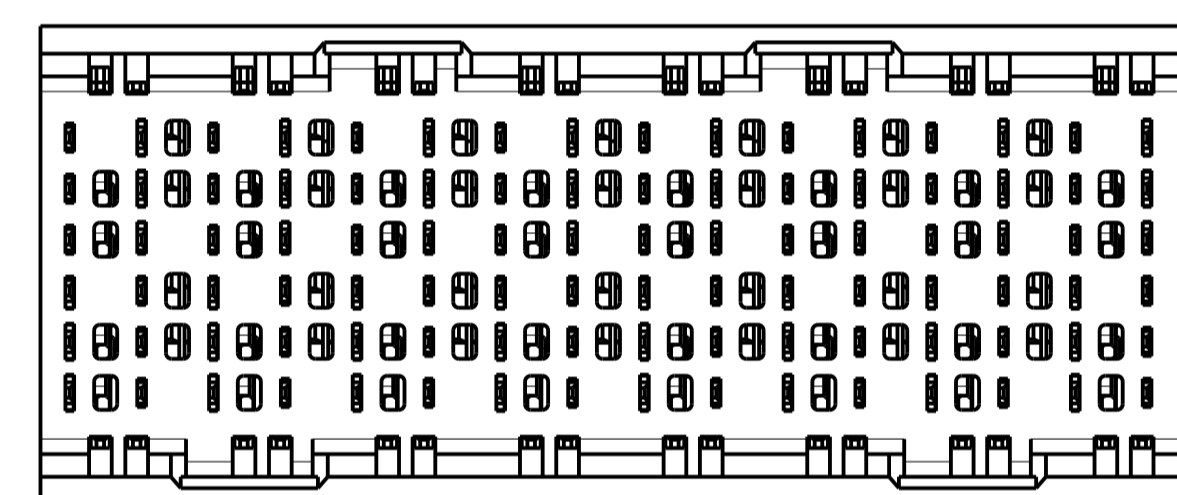


LOC		DIST		REVISIONS			
AD	00	REV	DATE	BY	CHK	APP	DATE
		C	21APR2014	AP	DD		

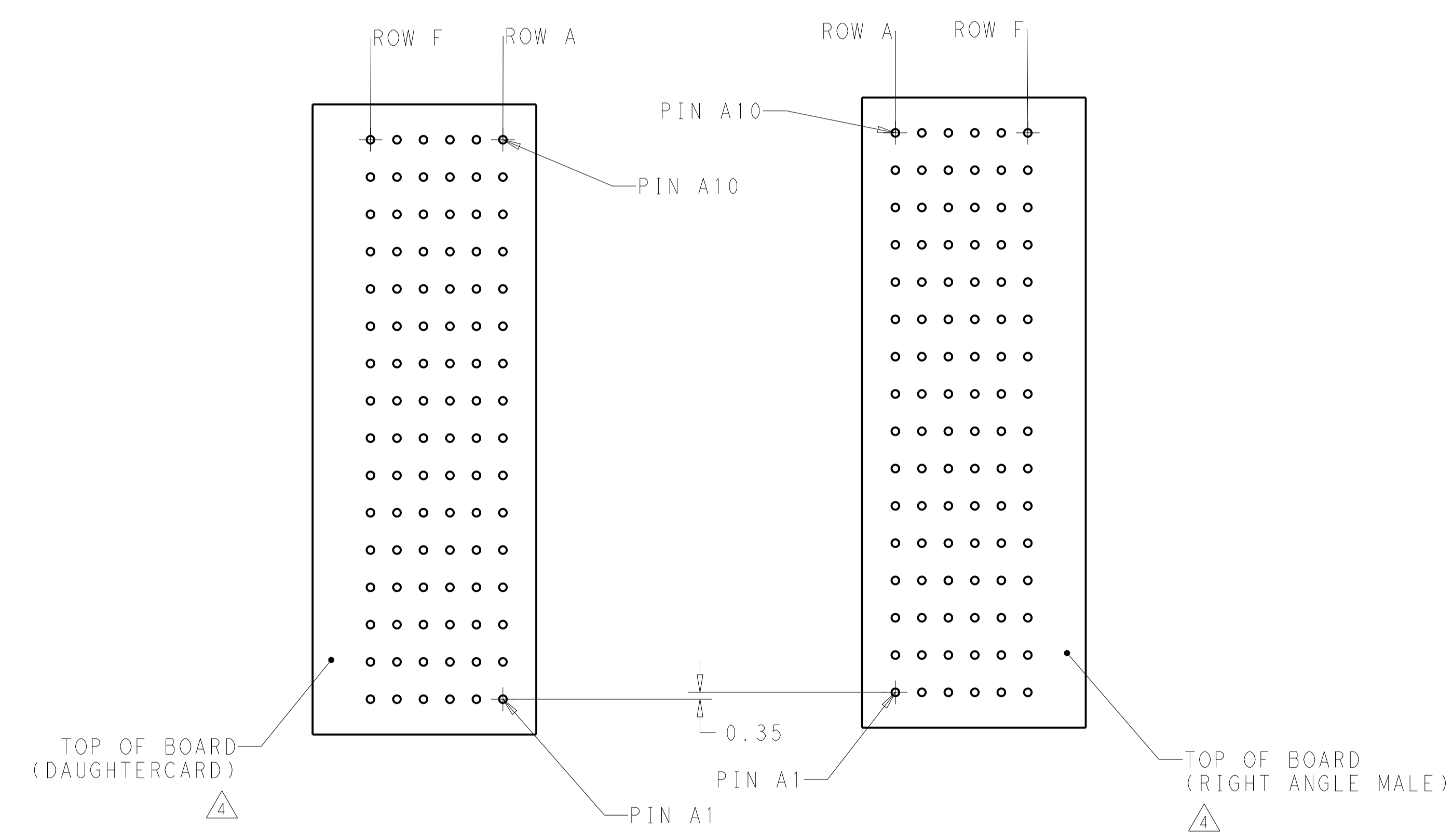


- 1 MATERIAL:
HOUSING: LCP, GLASS FILLED, UL94V-0.
TERMINALS: HIGH PERFORMANCE COPPER ALLOY.
- 2 FINISH:
30µm SELECTIVE GOLD IN CONTACT AREA. SELECTIVE TIN ON PCB TAILS, NICKEL OVERALL.
- 3 FINISH:
30µm SELECTIVE GOLD IN CONTACT AREA. SELECTIVE TIN-LEAD ON PCB TAILS, NICKEL OVERALL.
- 4 UNGUIDED RIGHT ANGLE MALE MATES TO UNGUIDED RIGHT ANGLE RECEPTACLE.
- 5 TE LOGO LOCATED IN APPROXIMATE LOCATION.

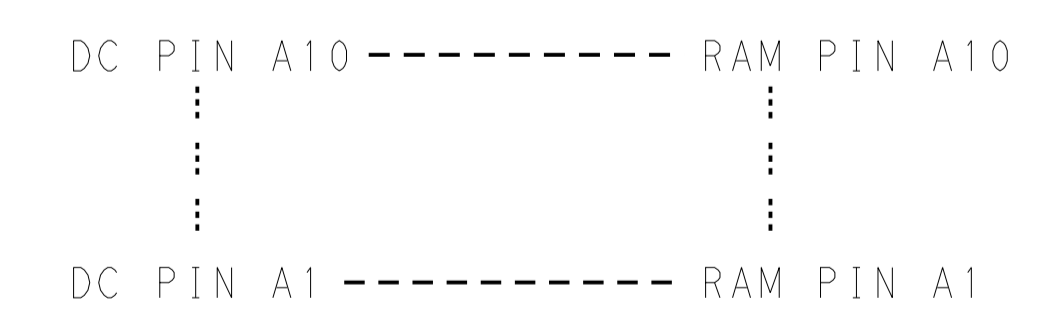


THIS DRAWING IS A CONTROLLED DOCUMENT.		DWN	07APR2011	TE Connectivity															
DIMENSIONS:		CHK	07APR2011																
TOLERANCES UNLESS OTHERWISE SPECIFIED:		APVD	07APR2011																
mm		NAME	IMPACT, STD, RAM, 2 PAIR, 16 COLUMN, UNGUIDED OPEN END WALL SIGNAL MODULE, 0.39 EYELET																
<table border="1"> <tr><td>0 PLC</td><td>±</td></tr> <tr><td>1 PLC</td><td>±0.25</td></tr> <tr><td>2 PLC</td><td>±0.13</td></tr> <tr><td>3 PLC</td><td>±</td></tr> <tr><td>4 PLC</td><td>±</td></tr> <tr><td>ANGLES</td><td>±</td></tr> </table>		0 PLC	±	1 PLC	±0.25	2 PLC	±0.13	3 PLC	±	4 PLC	±	ANGLES	±	PRODUCT SPEC		SIZE	CAGE CODE	DRAWING NO	RESTRICTED TO
0 PLC	±																		
1 PLC	±0.25																		
2 PLC	±0.13																		
3 PLC	±																		
4 PLC	±																		
ANGLES	±																		
MATERIAL		APPLICATION SPEC		A1	00779	2143309													
FINISH		WEIGHT		CUSTOMER DRAWING		SCALE	SHEET												
SEE TABLE				5:1	1	2	REV C												

LOC		DIST		REVISIONS			
AD	00	REV	DATE	DESCRIPTION	DATE	DWN	APVD
-	-	-	-	SEE SHEET 1	-	-	-



COPLANAR MATED SIGNAL PATHS



	5.50	2143309-6
	4.90	2143309-5
	5.50	2143309-3
	4.90	2143309-2
FINISH	DIM M	PART NUMBER

REFER TO WWW.TE.COM FOR PRODUCT AVAILABILITY

THIS DRAWING IS A CONTROLLED DOCUMENT.		DWN 07APR2011	
DIMENSIONS: mm		CHK J. EARY 07APR2011	
TOLERANCES UNLESS OTHERWISE SPECIFIED:		APVD J. EARY 07APR2011	
0 PLC ± 1 PLC ±0.25 2 PLC ±0.13 3 PLC ± 4 PLC ± ANGLES ±		NAME: IMPACT, STD, RAM, 2 PAIR, 16 COLUMN, UNGUIDED OPEN END WALL SIGNAL MODULE, 0.39 EYELET	
MATERIAL	FINISH SEE TABLE	WEIGHT	SIZE CAGE CODE DRAWING NO. RESTRICTED TO
CUSTOMER DRAWING		SCALE 5:1	SHEET 2 OF 2 REV C

Mouser Electronics

Authorized Distributor

Click to View Pricing, Inventory, Delivery & Lifecycle Information:

[TE Connectivity:](#)

[2143309-3](#)