

4

3

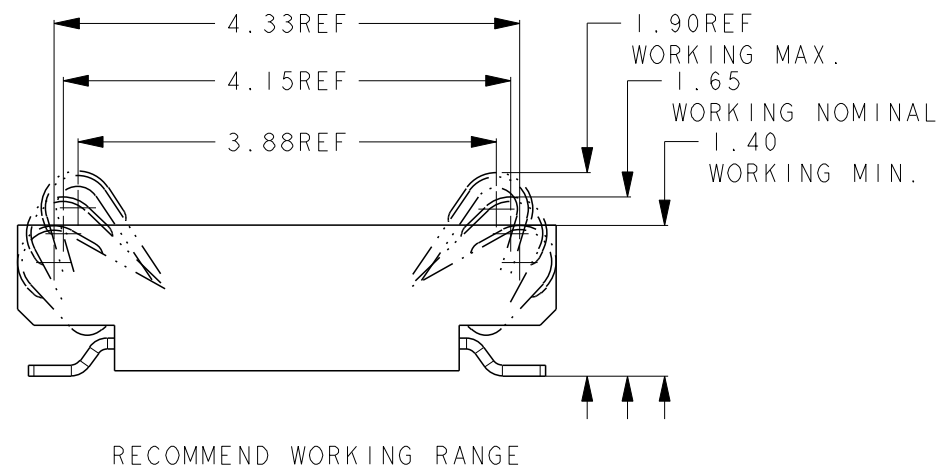
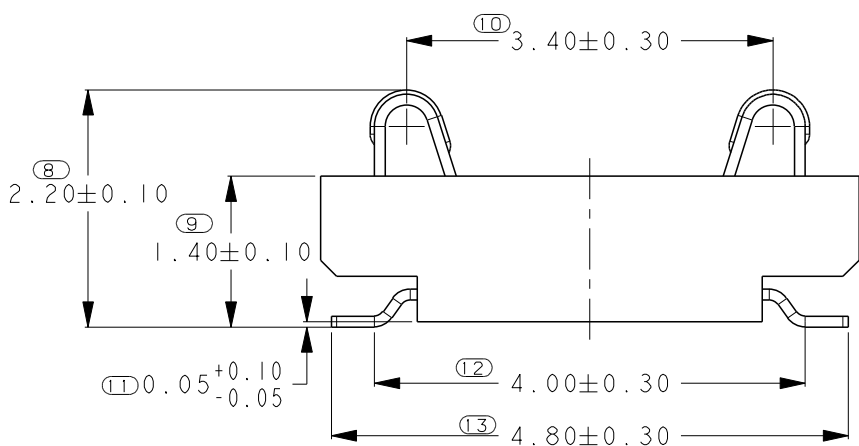
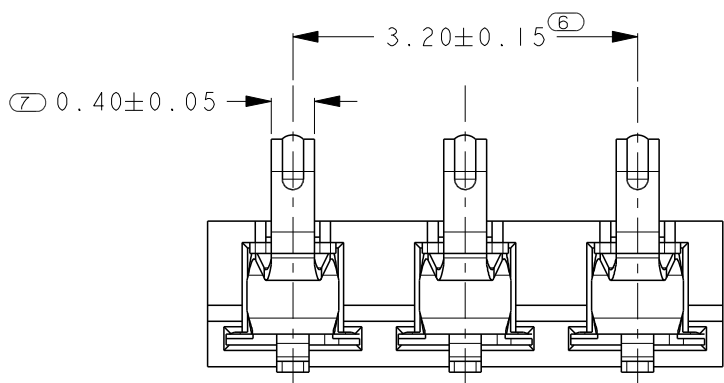
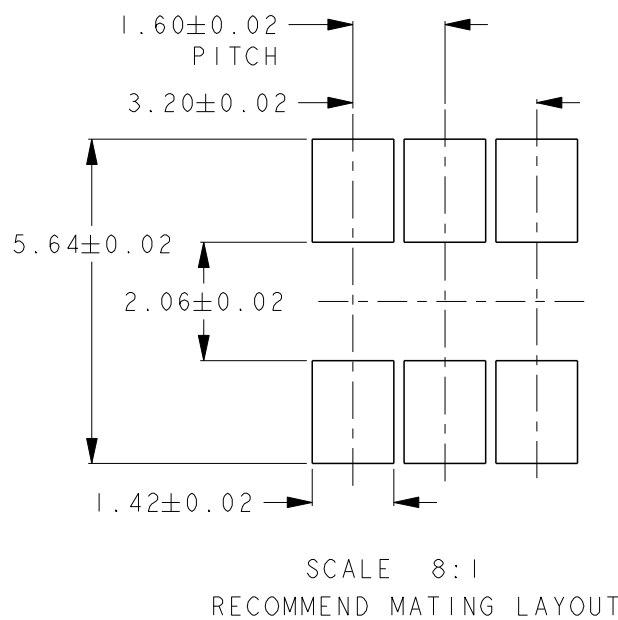
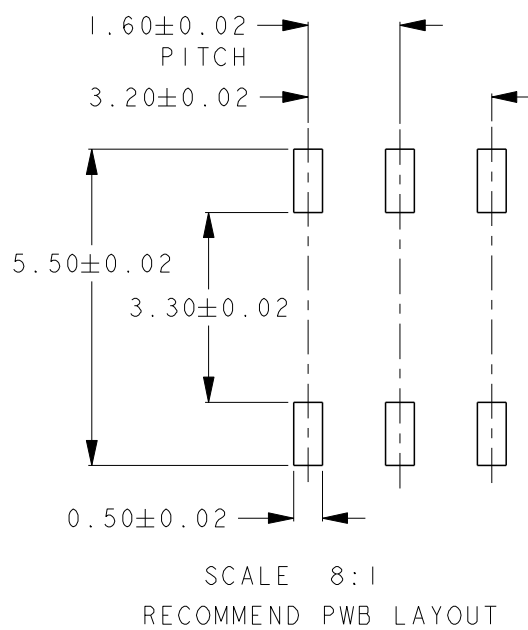
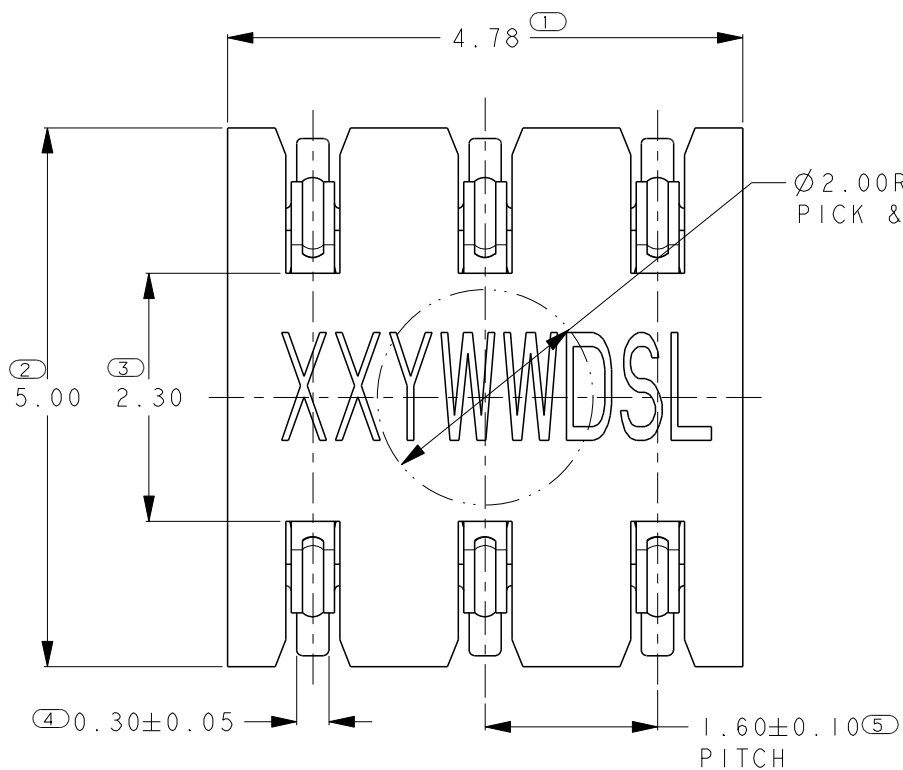
2

1

THIS DRAWING IS UNPUBLISHED. RELEASED FOR PUBLICATION 20
© COPYRIGHT 20 ALL RIGHTS RESERVED.

LOC	DIST	REVISIONS			
P	LTR	DESCRIPTION	DATE	DWN	APVD
ES		A	RELEASE	21MAR2011	M.S S.Y
		A1	ADD DIM. NO.	22JUN2011	M.S S.Y
		A2	REVISE SPEC NO.	19AUG2011	M.S S.Y

AS SHOWN: 1932771-1



- NOTES:
- 1 MATERIAL: COPPER ALLOY, THICKNESS 0.10mm.
 - 2 HOUSING: HIGH TEMPERATURE THERMO PLASTIC UL94V-0 BLACK
 - 3 FINISH: 0.10-0.2 µm GOLD PLATING ON CONTACT AREA, 1.25 µm MIN. NICKLE UNDER PLATING, GOLD FLASH PLATING ON SOLDERING AREA.
 - 4 COPLANARITY: 0.08 MAX. AMONG ALL SOLDER TAILS.
 - 5 PACKAGING: TAPE & REEL.

THIS DRAWING IS A CONTROLLED DOCUMENT.

DIMENSIONS: mm	TOLERANCES UNLESS OTHERWISE SPECIFIED: ±0.20	DWN SHI MING 22OCT2010	 TE Connectivity
	0 PLC ± 1 PLC ± 2 PLC ± 3 PLC ± 4 PLC ± ANGLES ±5°	CHK WENKE HE 22OCT2010	
MATERIAL	FINISH	APVD STEVEN YAO 22OCT2010	
		PRODUCT SPEC 108-115016-1	
		APPLICATION SPEC	NAME ONE PIECE BtoB CONNECTOR 6 PINS, 1.6MM PITCH, H1.65, TWO ROWS
		WEIGHT 0.062g	SIZE A300779
			CAGE CODE C-1932771
			DRAWING NO
			RESTRICTED TO
		SCALE 20:1	SHEET 1 OF 2
			REV A2

4

3

2

1

THIS DRAWING IS UNPUBLISHED.

RELEASED FOR PUBLICATION

20

LOC

DIST

REVISIONS

© COPYRIGHT 20

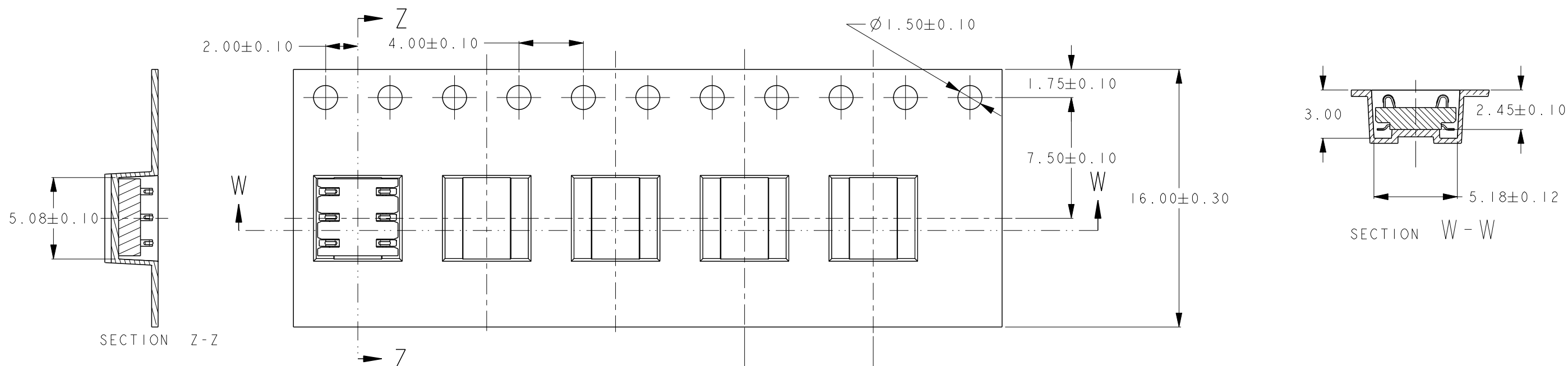
ALL RIGHTS RESERVED.

ES

P	LTR	DESCRIPTION	DATE	DWN	APVD
A		RELEASE	21MAR2011	M.S	S.Y
A1		ADD DIM. NO.	22JUN2011	M.S	S.Y
A2		REVISE SPEC NO.	19AUG2011	M.S	S.Y

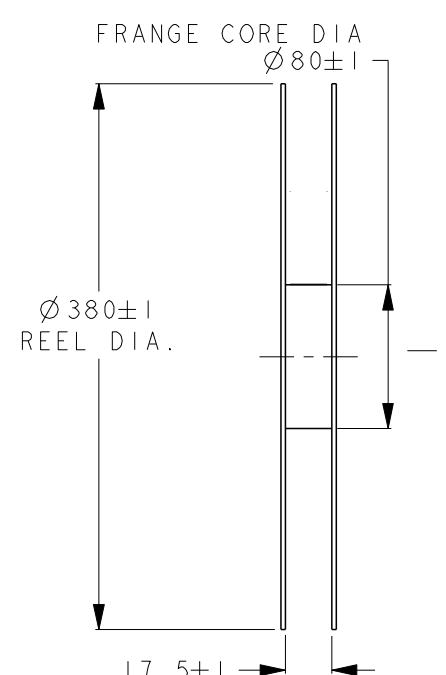
D

D



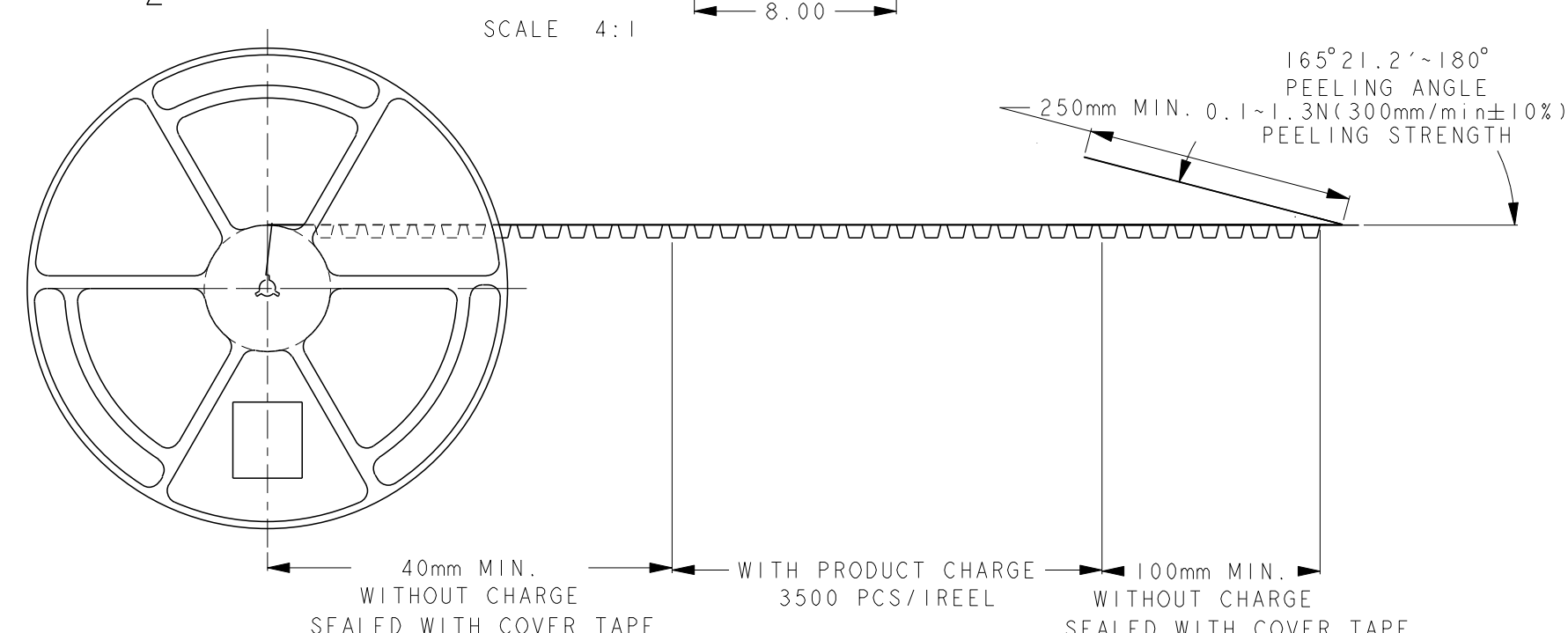
C

C



B


B



A

A

NOTES:
 1. MATERIAL: P.S CLEAR, 0.4MM THICKNESS.
 2. QUANTITY PER REEL: 3500 PIECES.

THIS DRAWING IS A CONTROLLED DOCUMENT.		DWN	22OCT2010		TE Connectivity	
		CHK	SHI MING 22OCT2010			
		APVD	WENKE HE 22OCT2010	NAME		ONE PIECE BtoB CONNECTOR
		PRODUCT SPEC	STEVEN YAO			6 PINS, 1.6MM PITCH, HI.65 TWO ROWS
		APPLICATION SPEC	108-115016-1	SIZE		A300779
		WEIGHT	-	CAGE CODE		C=1932771
				DRAWING NO		1932771
				RESTRICTED TO		-
				SCALE		20:1
				SHEET		2 OF 2
				REV		A2

Mouser Electronics

Authorized Distributor

Click to View Pricing, Inventory, Delivery & Lifecycle Information:

[TE Connectivity:](#)

[1932771-1](#)