

NOTES:-
 1. THE "LF" PRODUCTS MEET EUROPEAN UNION DIRECTIVES AND OTHER COUNTRY REGULATIONS AS DESCRIBED IN GS-22-008
 2. LEAD FREE OR RoHS DIRECTIVE LABELING TO BE PROVIDED AS PER GS-14-920 FOR RoHS COMPATIBLE VERSION.

PERFORMANCES CHARACTERISTICS

VOLTAGE RATING : 250 VAC (rms)
 CURRENT RATING : 1,5 A AT 25 °C, 1 A AT 70 °C.
 INSULATION RESISTANCE : 1000 MΩ INITIAL, 100 MΩ MIN. AFTER TEST
 DIELECTRIC WITH-
 STANDING VOLTAGE : 1000 VAC (rms).
 CONTACT RESISTANCE : 15 mΩ MAX. INITIAL, 5 mΩ MAX. RISE OF INITIAL VALUE AFTER TEST.
 OPERATING TEMPERATURE*: -40 °C TO +125 °C.
 INSERTION FORCE : 1 N MAX./CONTACT.
 WITHDRAWAL FORCE : 0,2 N MIN./CONTACT.

*DEPENDING ON THE CABLE, THE MAX. TEMPERATURE CAN BE LOWER.
 FOR STANDARD PVC INSULATED CABLE : 105 °C MAX.

CONSTRUCTION

BODY MATERIAL : GLASS-REINFORCED THERMOPLASTIC (UL94V-0).
 CONTACT MATERIAL : PHOSPHOR BRONZE.
 CONTACT FINISH : 1.25 μm Au MIN. OVER 2 μmNi MIN. IN CONTACT AREA,
 3 μm MAX. SnPb OVER Ni ON I.D.C. TERMINAL FOR LEADED PRODUCTS
 Sn (MATTE TIN) OVER Ni ON I.D.C TERMINAL FOR LEAD FREE PRODUCTS

CABLE : AWG24 & AWG26 (CONTACT IDENTIFICATION = 2).

PART NUMBERS

BPS8B21JJD200L9 CONNECTOR FOR WIRE SIZE AWG24, AWG26.
 BPS8B21JJD200L9LF CONNECTOR FOR WIRE SIZE AWG24, AWG26.
 (CONTACT IDENTIFICATION : 2).

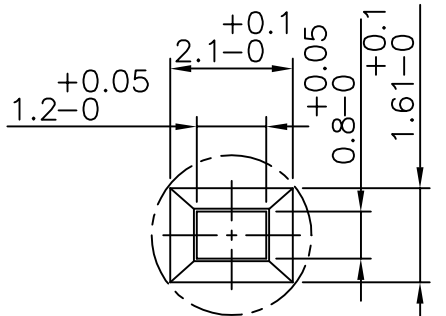
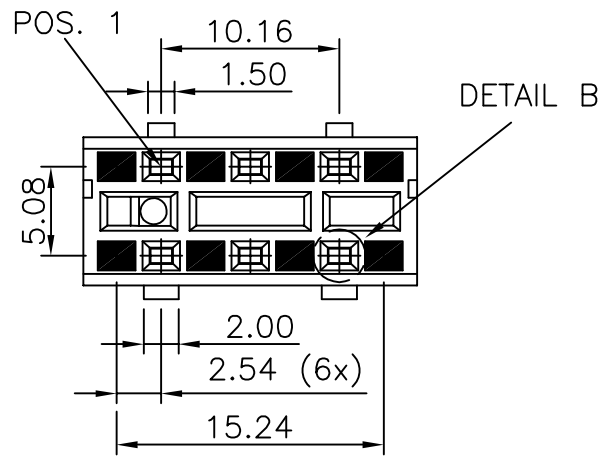
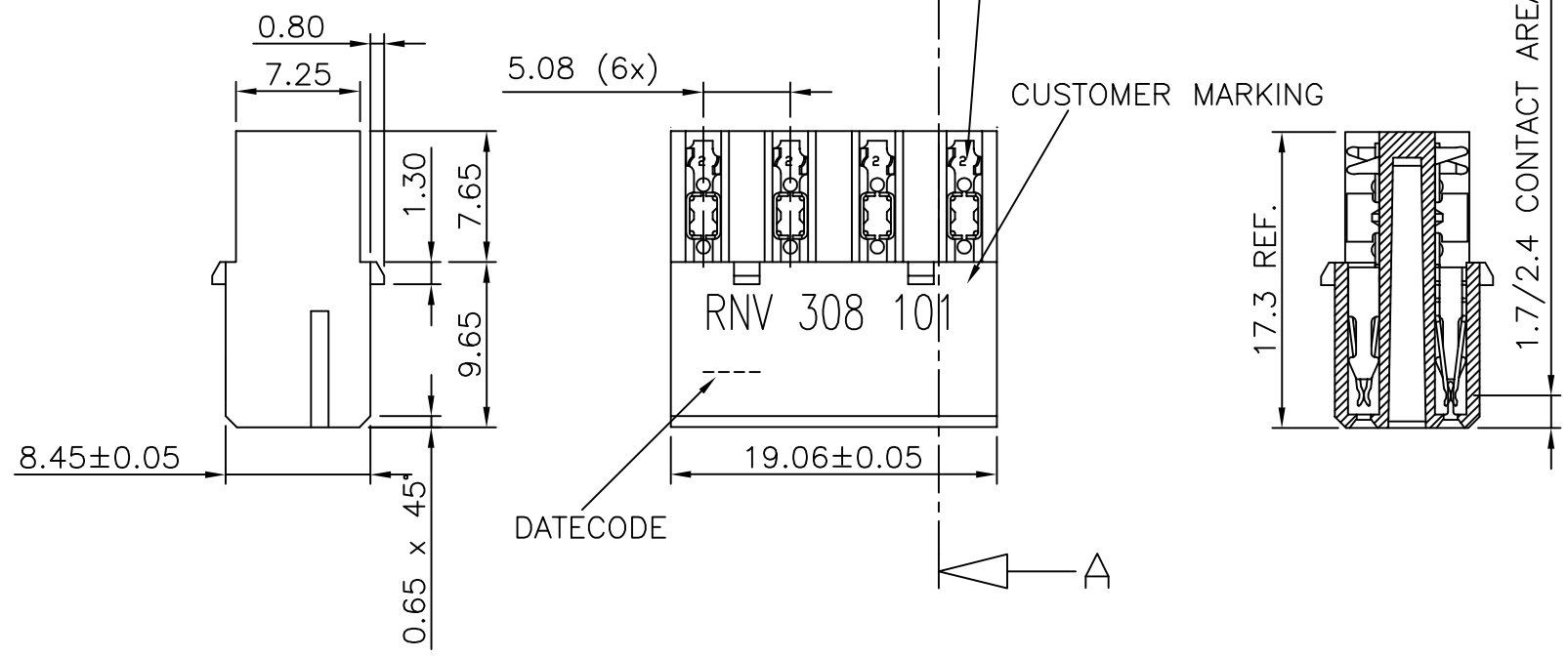
CUSTOMER MARKING

PARTNUMBER ERICSSON : RNV 308 101.

DATECODE MARKING

YEAR & WEEKCODE, EXAMPLE : 9450.
 OTHER REQUIREMENTS IN ACC. WITH : ERICSSON SPEC. 1301-RNV 308 Uen,

PRODUCT NUMBER	BPS8B21JJD200L9	LEADED PRODUCT
PRODUCT NUMBER	BPS8B21JJD200L9LF	LEAD FREE OR RoHS COMPATIBLE PRODUCT



CONTACT ARRANGEMENT CAVITIES EQUIPPED WITH CONTACTS
 CAVITIES WITHOUT CONTACTS

mat'l. code		surface		tolerance		projection		product family	
SEE NOTE		ISO 1302		ISO 406 ISO 1101				BPS8	
ltr ecn no dr date		tolerances unless otherwise specified		angles		mm		title	
A F00819 DLE 2000-10-18		linear		0.1±0.2		mm		ASSY BPS8	
B 105-0156 MINI 2005-09-06		±1'		0.01±0.1		scale -		21 POS. A,C LOADED SPECIAL	
C 106-0067 MINI 2006-06-01		dr D.LEGRAND 2000-10-18		engr J.F.NOTTEAU 2000-10-18				dwg no sheet 1 of 1 size	
		chr RAKHEE GEORGE 2006-06-01		appd RAKHEE GEORGE 2006-06-01				55353 A3	
sheet index		revision sheet		C 1				type Product Customer Drawing	



Copyright FCI

Mouser Electronics

Authorized Distributor

Click to View Pricing, Inventory, Delivery & Lifecycle Information:

[FCI / Amphenol:](#)

[BPS8B21JJD200L9LF](#)