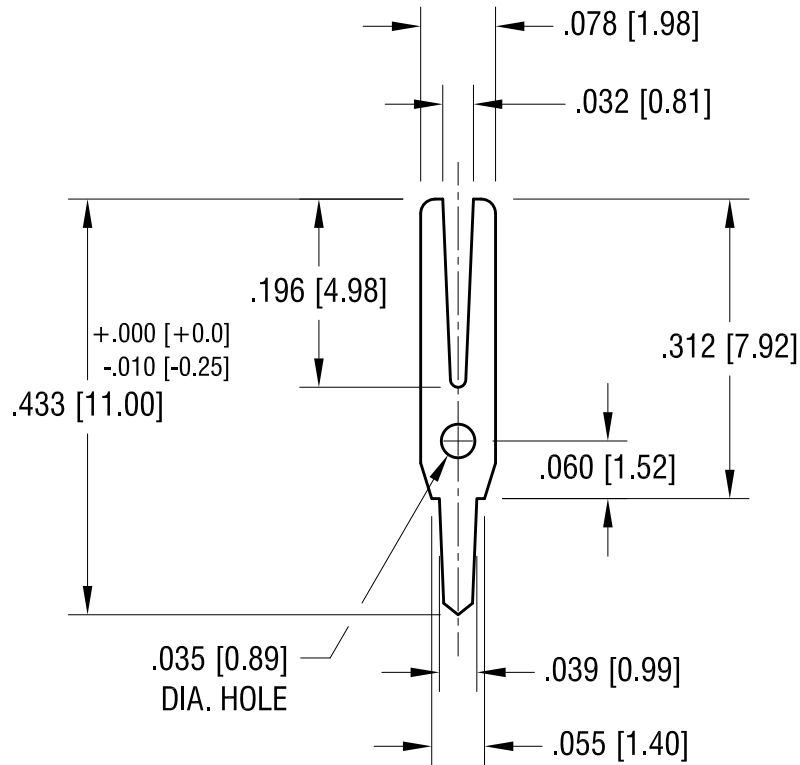


THIS DOCUMENT IS THE PROPERTY OF
KEYSTONE ELECTRONICS CORP. AND
SHALL NOT BE REPRODUCED, DISTRIBUTED
OR USED AS A BASIS FOR MANUFACTURE
WITHOUT PRIOR WRITTEN PERMISSION
FROM KEYSTONE ELECTRONICS CORP.

ACTUAL SIZE



KEYSTONE ELECTRONICS CORP.

www.keyelco.com • NEW HYDE PARK, NY 11040 • Tel (516) 328-7500

PART NAME		PC TEST POINT TERMINAL	
MATERIAL		.016 [0.41] TH'K BRASS	
FINISH		DRN BY	DATE
MATTE TIN PLATE		BOONE	11.08.93
		APP'D	SCALE
		LN	5X
TOLERANCES	INCH [MM]	CODE	DWG NO.
DECIMAL	± .005 [± 0.13]	C	1037
ANGULAR	± 1°		
UNLESS OTHERWISE SPECIFIED			

7.07.09	ECN 09-095 FINISH WAS TIN PL.	D
9.06.05	CHANGE AS PER ECN 05-063	C
DATE	DESCRIPTION	REV.

Mouser Electronics

Authorized Distributor

Click to View Pricing, Inventory, Delivery & Lifecycle Information:

[Keystone Electronics:](#)

[1037](#)