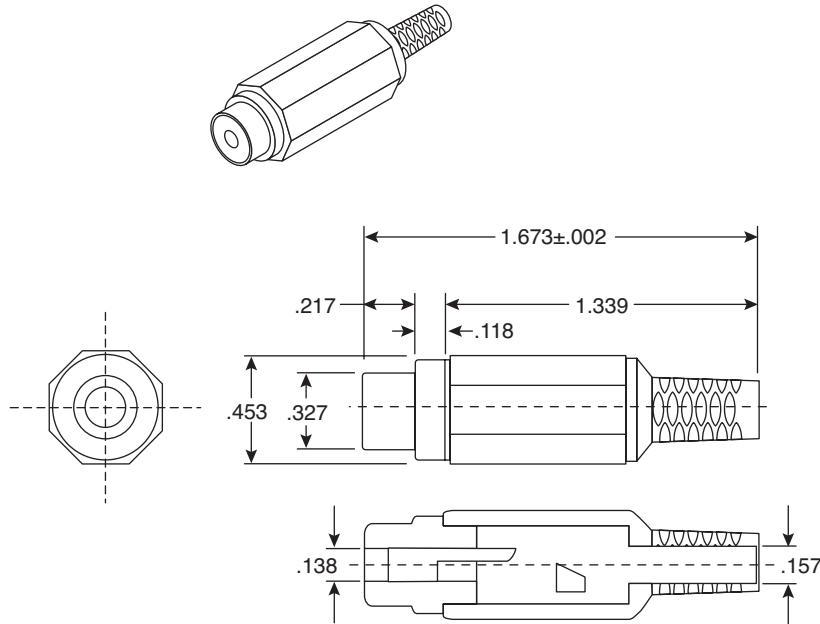


In-Line Phono Jacks



161-4356-E, 161-4357-E, 161-4358-E, 161-4359-E
161-4360-E, 161-4361-E

In-Line Phono Jacks



Dimensions: In.

MOUSER STOCK NO.	ID Ring Color
161-4356-E	Red
161-4357-E	White
161-4358-E	Yellow
161-4359-E	Black
161-4360-E	Blue
161-4361-E	Green

MATERIAL SPECIFICATIONS		
Part Name	Material	Max. Temp.
Insulator	Bakelite	---
Body	ABS Resin	85°C
Contact A	Nickel Plated Brass	---
Contact B	Nickel Plated Steel	---
Cap	Polyethylene	80°C
RoHS Compliant		

ELECTRICAL SPECIFICATIONS	
Contact Resistance:	10mΩ max.
Insulation Resistance:	100MΩ min. @ 500VDC
Withstand Voltage:	500VAC for 1 Minute
Temperature:	-10°C ~ +50°C
Tolerance:	±0.3mm

161-4356-E, 161-4357-E, 161-4358-E, 161-4359-E, 161-4360-E, 161-4361-E

Date Last Revised: 04-04-12

Available from Mouser Electronics
1-800-346-6873
www.mouser.com

KC-300925

Mouser Electronics

Authorized Distributor

Click to View Pricing, Inventory, Delivery & Lifecycle Information:

[Kobiconn:](#)

[161-4359-E](#) [161-4357-E](#) [161-4356-E](#) [161-4358-E](#) [161-4360-E](#) [161-4361-E](#)