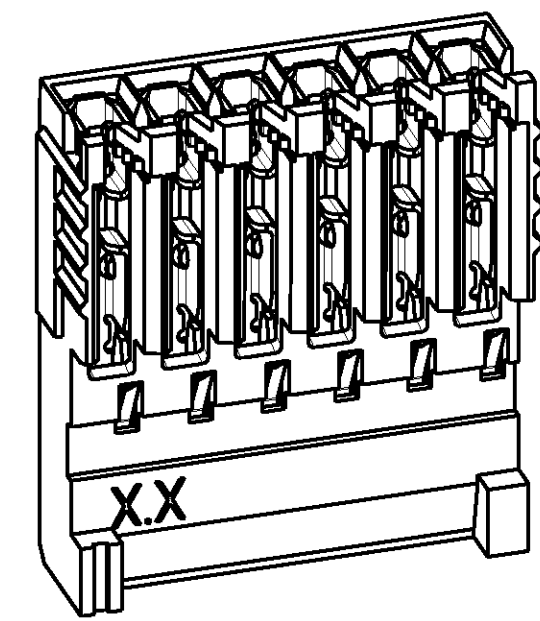
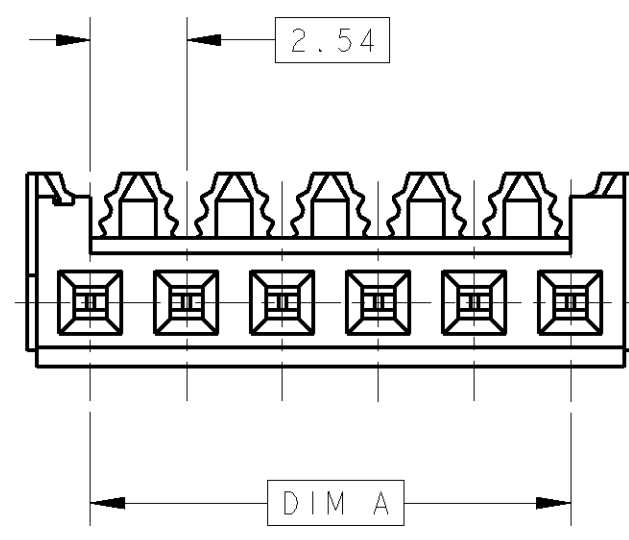


THIS DRAWING IS UNPUBLISHED.
 DIFFUSION RESTREINTE
 © COPYRIGHT BY

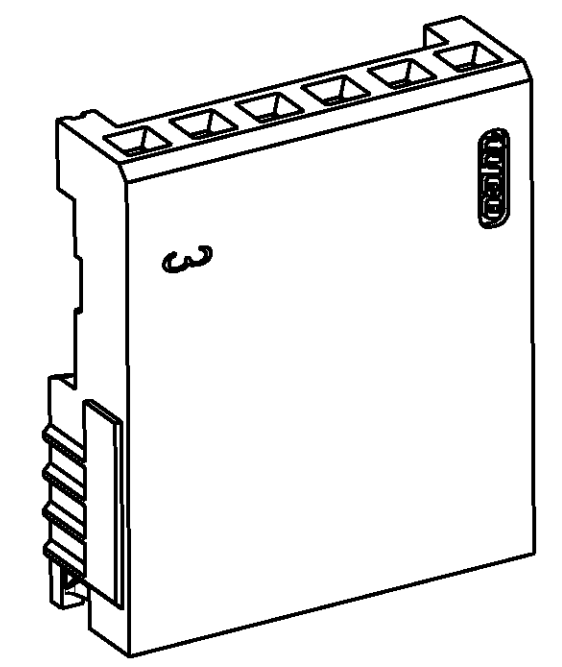
RELEASED FOR PUBLICATION
 LIBRE A LA DIFFUSION
 ALL RIGHTS RESERVED.
 TOUS DROITS RESERVES

FILS ADMISSIBLES (ACCEPTABLES WIRES)	
JAUGE (AWG) SECTION / 7 BRINS (7 STRANDS)	28-26 0.08-0.12mm ²
ISOLANT: Ø MAX / MATIERE (INSUL.: Ø MAX / MAT'L)	Ø 1 / PVC

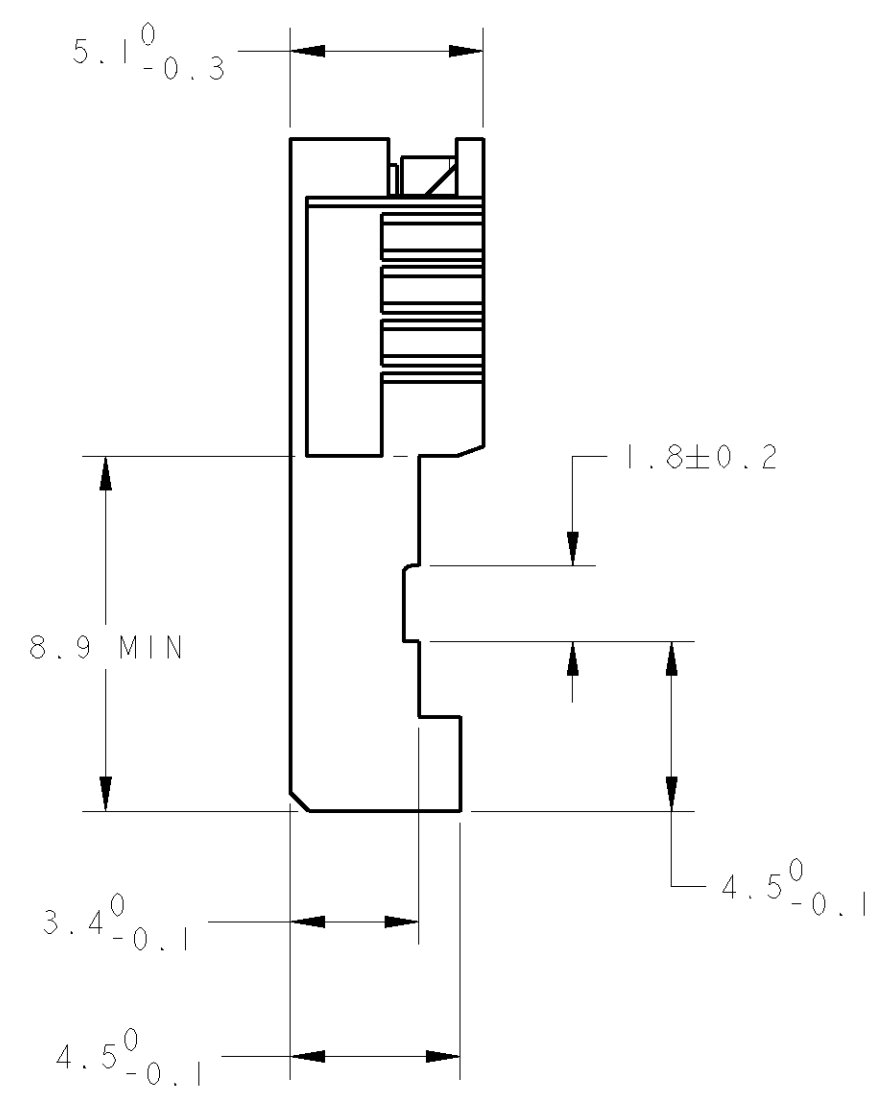
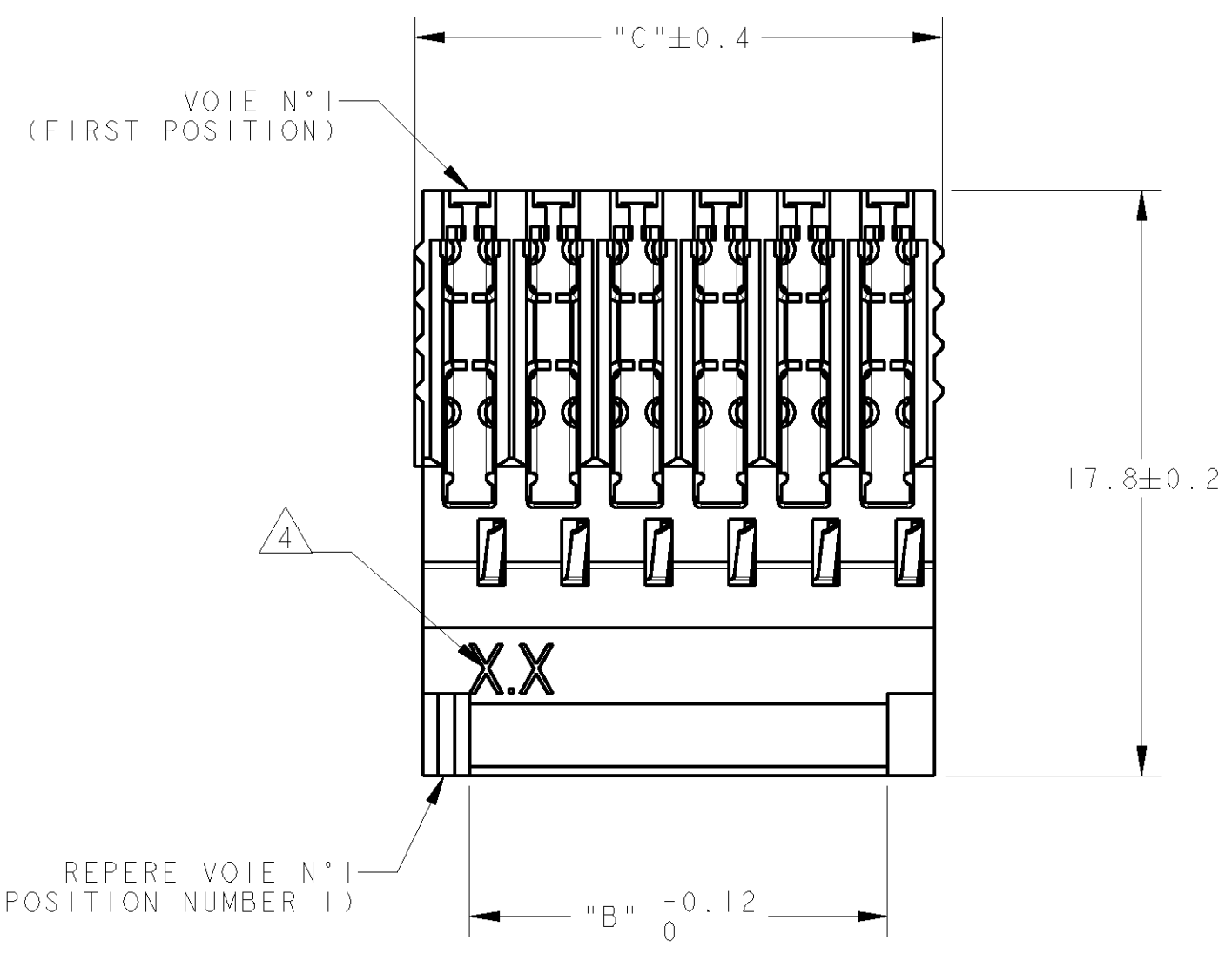
LOC	DIST	REVISIONS					
F	7	P	LTR	DESCRIPTION MODIFICATIONS	DATE	DWN DESS.	APVD APP.
		C1		REVISED PER ECO-11-005150	28APR11	RK	HMR



SCALE 4:1



SCALE 4:1



- | | | |
|---|---|--|
| 1 | CES CONNECTEURS SONT PREVUS POUR ETRE ACCOUPLES AVEC LES EMBASES 'HE1402' SIMPLE RANGEE | (THESE CONNECTEURS ARE DESIGNED TO BE MATED WITH 'HE1402' HEADERS SINGLE ROW) |
| 2 | LES REFERENCES SUIVIES D'UN ' * ' SONT LES VERSIONS NORMALISEES SELON LA 'CEI 603-8' | (THE PART-NO FOLLOWED BY ' * ' ARE COVERED BY THE INTERNATIONAL STANDARD 'IEC603-8') |
| 3 | REVETEMENT DES CONTACTS: ETAME | (CONTACTS PLATING: TIN) |
| 4 | 8.6 SIGNIFIE JAUGE 28-26 | 8.6 REFERS TO 28-26 AWG |
| 5 | MATIERES - BOITIER: PBT UL94V0, BLEU
- CONTACTS: BRONZE PHOSPHOREUX. | (MATERIAL - HOUSING: PBT UL94V0, COLOR BLUE
- CONTACTS: PHOSPHOR BRONZE) |

46.52	43.18	18	1-281786-8	*
38.90	35.56	15	1-281786-5	*
31.28	27.94	12	1-281786-2	*
26.20	22.86	10	1-281786-0	*
21.12	17.78	8	0-281786-8	*
16.04	12.70	6	0-281786-6	*
13.50	10.16	5	0-281786-5	*
10.96	7.62	4	0-281786-4	*
8.42	5.08	3	0-281786-3	*
5.88	2.54	2	0-281786-2	*
C	A, B	Nb DE POS	REFERENCES (PART No)	
DIMENSIONS				

DWN/DESSINE 29NOV2000 C. COMBEDOUZON CHK/VERIFIE 29NOV2000 T. CORRIOU APVD/APPROUVE 29NOV2000 Y. PETRONIN		TE TE Connectivity	
DIMENSIONS: mm		NAME/TITRE HE 1402 PLUG, 180° IDC SINGLE ROW	
TOLERANCES UNLESS OTHERWISE SPECIFIED: (SUIV NB DE DECIMALES) 0 PLC/DEC: ± 1 PLC/DEC: ±0.3 2 PLC/DEC: ± 3 PLC/DEC: ± 4 PLC/DEC: ± ANGLES ±5°		PRODUCT SPEC SPEC, PRODUIT 108-15053 APPLICATION SPEC SPEC, APPLICATION 114-15031	
MATERIAL/MATIERE		WEIGHT MASSE APPROX. -	RESTRICTED TO RESERVE A
FINISH/FINITION		SIZE FORMAT A2	CAGE CODE 00779
		DRAWING NO No PLAN C-281786	UNIFORMITY POUR REFERENCE
		CUSTOMER DRAWING /PLAN CLIENT	SCALE ECHELLE 5:1
		SHEET FEUILLE	OF DE
		REV C1	

Mouser Electronics

Authorized Distributor

Click to View Pricing, Inventory, Delivery & Lifecycle Information:

[TE Connectivity:](#)

[281786-4](#)