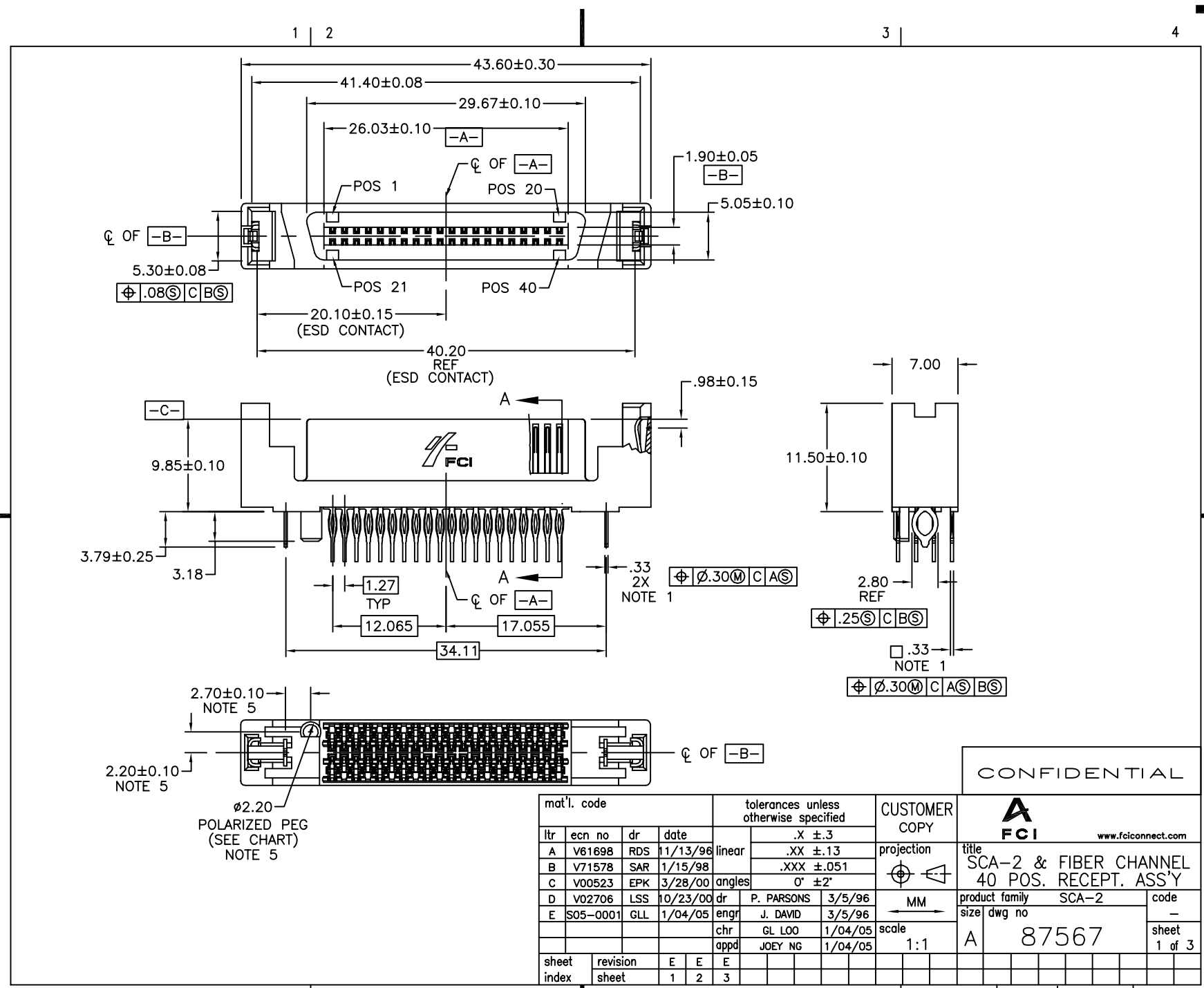


Tous droits strictement reserves. Reproduction ou communication a des tiers interdite sous quelque forme que ce soit sans autorisation ecrite du proprietaire. Propriete de c FCI. Droits de reproduction FCI.



All rights strictly reserved. Reproduction or issue to third parties in any form whatever is not permitted without written authority from the proprietor. Property of FCI. Copyright FCI.



CONFIDENTIAL

FCI www.fciconnect.com

title: SCA-2 & FIBER CHANNEL 40 POS. RECEPT. ASS'Y

product family: SCA-2 code: -

size: A dwg no: 87567 sheet: 1 of 3

mat'l. code				tolerances unless otherwise specified			CUSTOMER COPY
ltr	ecn no	dr	date	linear	.X ±.3	projection	
A	V61698	RDS	11/13/98		.XX ±.13		
B	V71578	SAR	1/15/98	angles	.XXX ±.051	MM	
C	V00523	EPK	3/28/00		0° ±2°		
D	V02706	LSS	10/23/00	dr	P. PARSONS	3/5/96	
E	S05-0001	GLL	1/04/05	enfr	J. DAVID	3/5/96	
				chr	GL L00	1/04/05	
				appd	JOEY NG	1/04/05	
sheet index	revision sheet	E	E	E			
		1	2	3			

cage code 22526

ACAD

PDM: Rev:E

STATUS: Released

Printed: Mar 11, 2011

Tous droits strictement reserves. Reproduction ou communication a des tiers interdite sous quelque forme que ce soit sans autorisation ecrite du proprietaire. Propriete de c FCI. Droits de reproduction FCI.

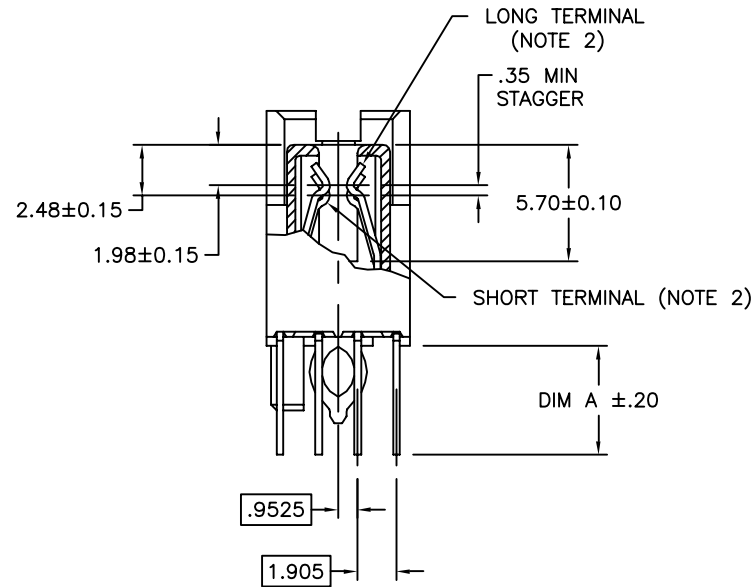


All rights strictly reserved. Reproduction or issue to third parties in any form whatever is not permitted without written authority from the proprietor. Property of FCI. Copyright FCI.

1 | 2

3 |

4



SECTION A-A

CONFIDENTIAL

mat'l. code		tolerances unless otherwise specified		CUSTOMER COPY		 www.fciconnect.com							
ltr	ecn no	dr	date	linear	.X ±.3	projection							
E					.XX ±.13								
					.XXX ±.051								
				angles	0° ±2°	 MM	title SCA-2 & FIBER CHANNEL 40 POS. RECEPT. ASS'Y						
				dr	P. PARSONS			3/5/96	product family	SCA-2	code	-	
				enfr	J. DAVID			3/5/96	size	dwg no		sheet	2 of
				chr	GL L00			1/04/05	scale	A	87567		
				appd	JOEY NG	1/04/05	2:1						
sheet index	revision sheet												

cage code 22526

1 | 2

3 |

4

ACAD

PDM: Rev:E

STATUS: Released

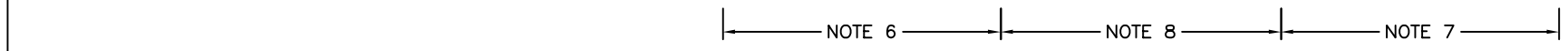
Printed: Mar 11, 2011

Tous droits strictement reserves. Reproduction ou communication a des tiers interdite sous quelque forme que ce soit sans autorisation écrite du propriétaire. Propriete de c FCI. Droits de reproduction FCI.

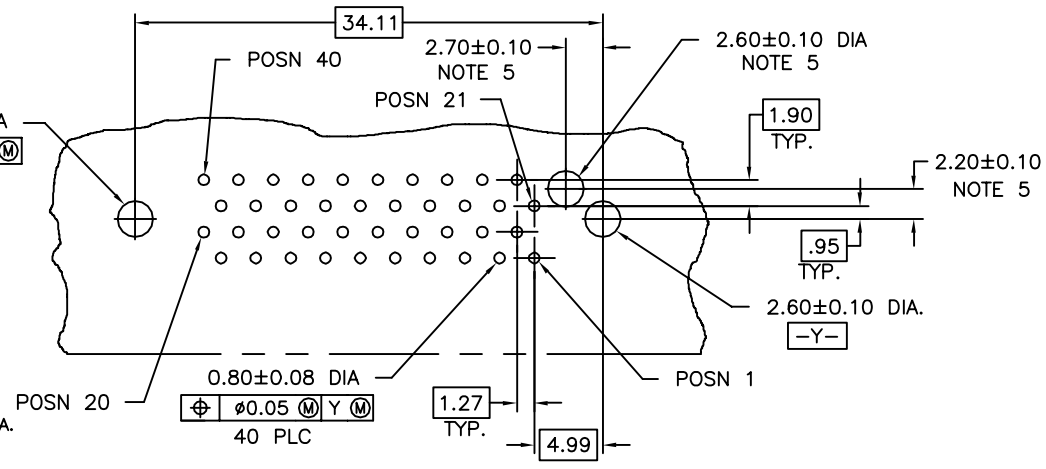


All rights strictly reserved. Reproduction or issue to third parties in any form whatever is not permitted without written authority from the proprietor. Property of FCI. Copyright FCI.

PRODUCT NO.	"A" DIM	POLARIZATION PEG	PLATING	RECOMMENDED P.C. BOARD THICKNESS	PRODUCT NO.	PLATING	PRODUCT NO.	PLATING	PRODUCT NO.	PLATING
87567-001	3.79	YES	NOTE ④	2.36mm (0.093") AND 3.18mm (0.125")	87567-101	NOTE ⑥	87567-001LF	NOTE ⑧	87567-101LF	NOTE ⑦
-002	3.79	NO			-102		-002LF		-102LF	
-003	4.60	YES			-103		-003LF		-103LF	
87567-004	4.60	NO			87567-104		87567-004LF		87567-104LF	



- NOTES :
- TRUE POSITION NOTES APPLY AT TERMINAL TIP.
 - CONTACTS IN POSITIONS 1 THRU 20,24,25,27,28, 30, 31, 33, AND 34 ARE SHORT TERMINALS. CONTACTS IN POSITIONS 21, 22, 23, 26, 29, 32, AND 35 THRU 40 ARE LONG TERMINALS.
 - RAW MATERIALS:
HOUSING: HTN, UL94V-0, COLOR: BLACK
CONTACTS: PHOSPHOR-BRONZE
 - CONTACT PLATING: 30µ" (0.76µm) MIN. GXT PLATING OVER 50µ" (1.27µm) NICKLE MIN. UNDERPLATE IN CONTACT AREA. 20µ" (0.5µm) MIN. 60µ" (1.5µm) MAX. TIN-LEAD PLATING OVER 50µ" (1.27µm) MIN. NICKLE UNDERPLATE IN P.C. BOARD LEG AREA. 50µ" (1.27µm) MIN. NICKLE UNDERPLATE OVER REMAINING AREA.
 - DIMENSIONS DO NOT APPLY TO CONNECTOR STYLES WITHOUT POLARIZATION PEG. (SEE CHART)
 - CONTACT PLATING: 30µ" (0.76µm) MIN GOLD PLATING OVER 50µ" (1.27µm) NICKLE UNDERPLATE IN CONTACT AREA. 20µ" (0.5µm) MIN-60µ" (1.5µm) MAX TIN-LEAD PLATING OVER 50µ" (1.27µm) MIN. NICKLE UNDERPLATE IN P.C. BOARD LEG AREA. 50µ" (1.27µm) MIN. NICKLE UNDERPLATE OVER REMAINING AREA.
 - CONTACT PLATING: 30µ" (0.76µm) GOLD PLATING OVER 50µ" (1.27µm) NICKLE UNDERPLATE IN CONTACT AREA. 20µ" (0.5µm) - 60µ"(1.5µm) TIN PLATING OVER 50µ" (1.27µm) -100µ" (2.54µm) NICKEL UNDERPLATE IN P.C. BOARD LEG AREA. 50µ" (1.27µm) NICKEL UNDERPLATE OVER REMAINING AREA.
 - CONTACT PLATING: 30µ" (0.76µm) GXT PLATING OVER 50µ" (1.27µm) NICKLE UNDERPLATE IN CONTACT AREA. 20µ" (0.5µm) - 60µ"(1.5µm) TIN PLATING OVER 50µ" (1.27µm) -100µ" (2.54µm) NICKEL UNDERPLATE IN P.C. BOARD LEG AREA. 50µ" (1.27µm) NICKEL UNDERPLATE OVER REMAINING AREA.
 - THE HOUSING WILL WITHSTAND EXPOSURE TO 260 °C PEAK TEMPERATURE FOR 10 SECONDS IN A CONVECTION, INFRA RED VAPOR PHASE REFLOW OVEN.
 - THIS PRODUCT MEETS EUROPEAN UNION DIRECTIVES AND OTHER COUNTRY REGULATIONS AS DESCRIBED IN GS-22-008.



RECOMMENDED PC BOARD MOUNTING DIMENSIONS COMPONENT SIDE

CONFIDENTIAL

mat'l. code				tolerances unless otherwise specified		CUSTOMER COPY		FCI	
ltr	ecn no	dr	date	linear	.X ±.3	projection	title		
E					.XX ±.13		SCA-2 & FIBER CHANNEL		
				angles	.XXX ±.051		40 POS. RECEPT. ASS'Y		
				dr	P. PARSONS 3/5/96	MM	product family	SCA-2	code
				engr	J. DAVID 3/5/96		size	dwg no	sheet
				chr	GL LOO 1/04/05		A	87567	3 of 3
				appd	JOEY NG 1/04/05	scale	2:1		
sheet index	revision sheet						cage code	22526	

ACAD

PDM: Rev:E

STATUS: Released

Printed: Mar 11, 2011

Mouser Electronics

Authorized Distributor

Click to View Pricing, Inventory, Delivery & Lifecycle Information:

[FCI / Amphenol:](#)

[87567-003](#) [87567-003LF](#) [87567-103LF](#) [87567-001](#) [87567-001LF](#) [87567-002LF](#)