

# Customer Information Sheet

DRAWING No.: M7765/66/67/71-XX

SHEET 2 OF 2

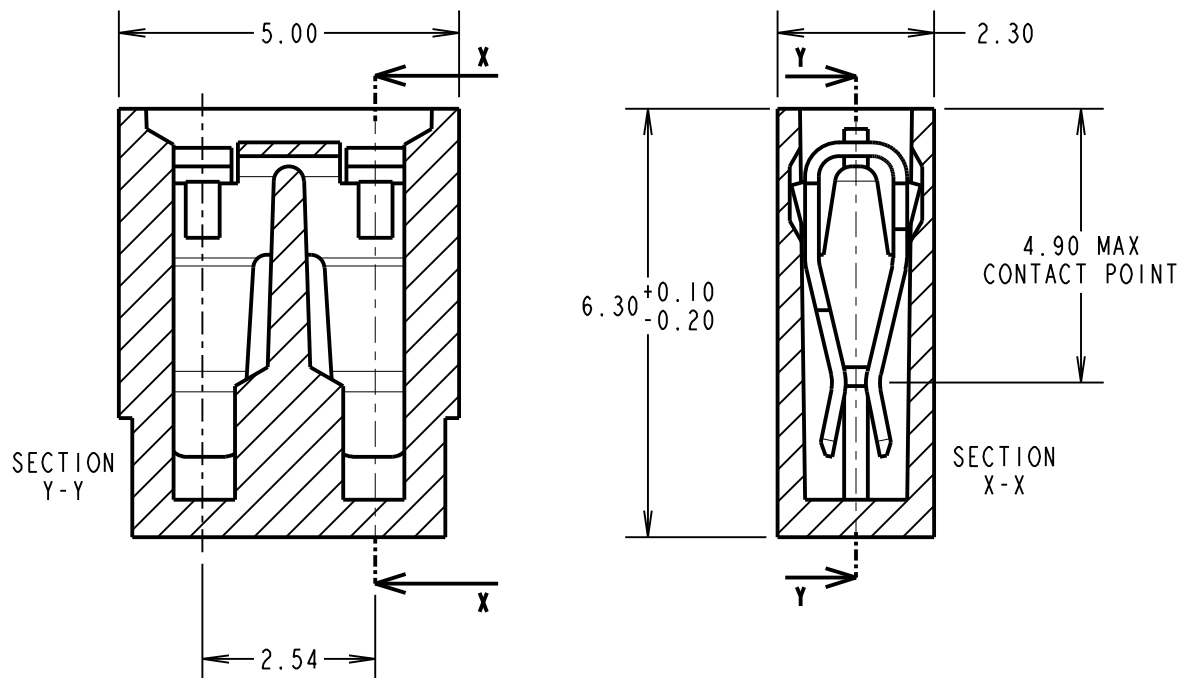
IF IN DOUBT - ASK

©

NOT TO SCALE

THIRD ANGLE PROJECTION

ALL DIMENSIONS IN mm



**SPECIFICATIONS:**

**MATERIAL:**  
 MOULDING = GLASS FILLED POLYESTER UL94V-0  
 (SEE ORDER CODE FOR COLOUR)

CLIP = PHOSPHOR BRONZE

**FINISH:**

05 = 0.13µ GOLD  
 46 = 3µ 100% TIN

**ELECTRICAL:**

CURRENT RATING = 3A MAX  
 VOLTAGE RATING = 250V AC/DC  
 VOLTAGE PROOF = 750V AC  
 CONTACT RESISTANCE = 30mΩ MAX (TIN), 25mΩ MAX (GOLD)  
 INSULATION RESISTANCE = 1,000MΩ MIN

**MECHANICAL:**

DURABILITY = 50 OPERATIONS (TIN), 300 OPERATIONS (GOLD)  
 INSERTION FORCE = 14.5N MAX  
 WITHDRAWAL FORCE = 1.0N MIN

**ENVIRONMENTAL:**

TEMPERATURE RANGE = -40°C TO +85°C

**PACKING:**

BAG

**NOTES:**

- MATING PIN = 0.64mm SQUARE.
- FOR COMPLETE SPECIFICATION, SEE COMPONENT SPECIFICATION C003XX (LATEST ISSUE).

ORDER CODE:	
<b>M77XX-XX</b>	
MOULDING COLOUR	
65 - LT. GREY	66 - RED
67 - BLACK	71 - BLUE
CONTACT FINISH	
05 - GOLD	
46 = 100% TIN	

MSP	10	22.10.14	12634
NAME	ISS.	DATE	C/NOTE
APPROVED: M.PERREN			
CHECKED: M.PLESTED			
DRAWN: J.CLAY			
CUSTOMER REF.:			
ASSEMBLY DRG:			

**HARWIN**

www.harwin.com  
 technical@harwin.com

THIS DRAWING AND ANY INFORMATION OR DESCRIPTIVE MATTER SET OUT HEREON ARE CONFIDENTIAL AND COPYRIGHT PROPERTY OF THE HARWIN GROUP AND MUST NOT BE DISCLOSED, LOANED, COPIED OR USED FOR MANUFACTURING, TENDERING OR FOR ANY OTHER PURPOSE WITHOUT THEIR WRITTEN PERMISSION.

**TOLERANCES**  
 X. = ±1mm  
 X.X = ±0.25mm  
 X.XX = ±0.10mm  
 X.XXX = ±0.01mm  
 ANGLES = ±5°  
 UNLESS STATED

**MATERIAL:**

SEE ABOVE

**FINISH:** SEE ABOVE

**S/AREA:** mm<sup>2</sup>

**TITLE:**

CLOSED TOP  
 JUMPER SOCKET

**DRAWING NUMBER:**

**M7765-XX, M7766-XX,  
 M7767-XX, M7771-XX**

SHT  
 2 OF 2

# Mouser Electronics

Authorized Distributor

Click to View Pricing, Inventory, Delivery & Lifecycle Information:

[Harwin:](#)

[M7765-05](#) [M7766-05](#) [M7767-05](#) [M7771-05](#) [M7765-46](#) [M7766-46](#) [M7767-46](#) [M7771-46](#)