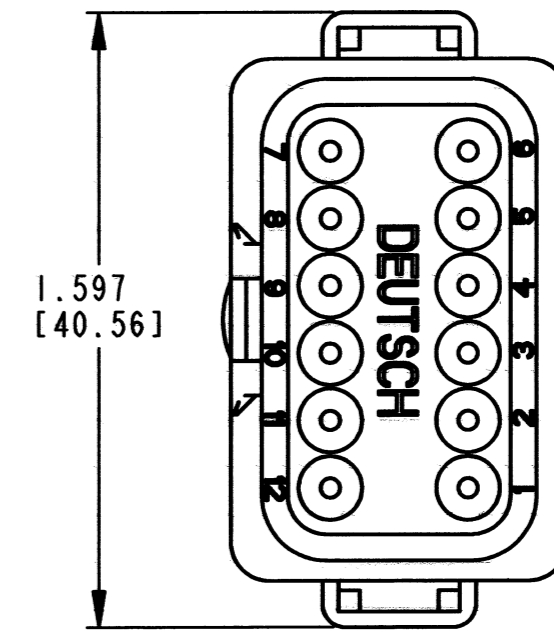
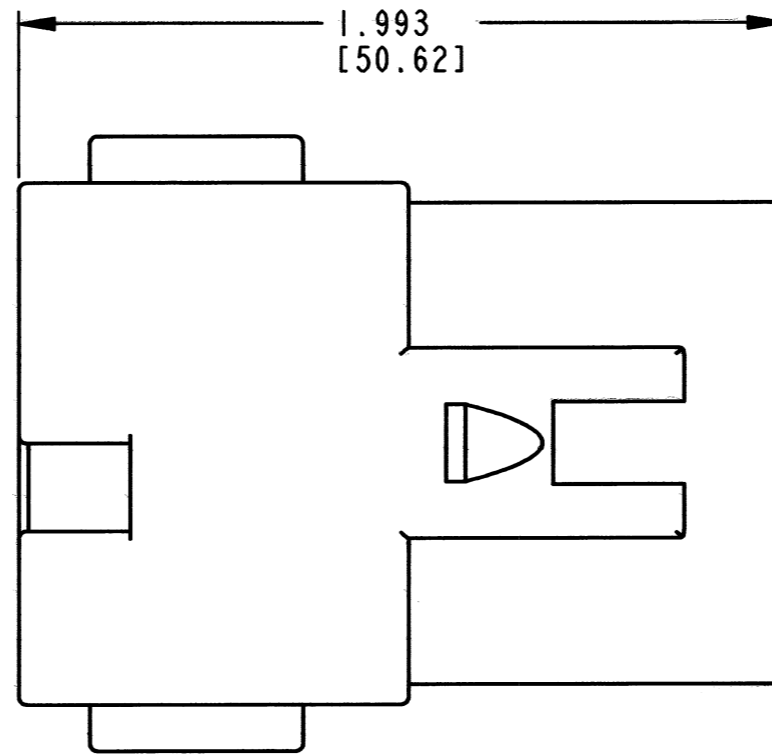
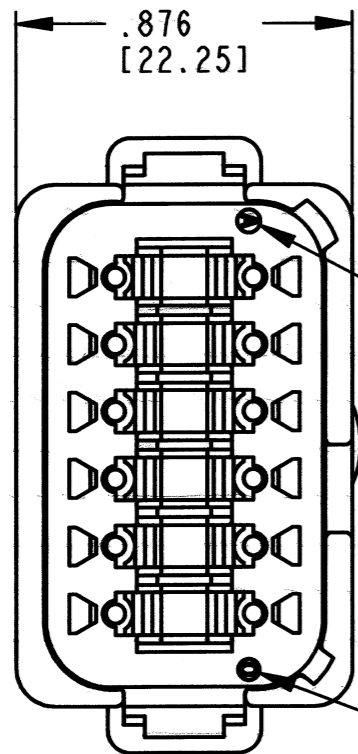


REV NC	DT04-12P* -B016	REVISIONS		
SYM	DESCRIPTION	DATE	APPROVED	
NC	NEW RELEASE/REPLACES PREVIOUS			
	RELEASE PER E.O. P20828	3-11-11	ROR	

**3D VIEW**



DATE CODE  
MONTH IS REPRESENTED BY SEQUENTIAL ALPHA  
CHARACTERS. EX: A=JANUARY  
YEAR IS REPRESENTED BY LAST DIGIT. EX. 0=2010.

5. MATERIAL - SHELL: PLASTIC; SEAL: RUBBER

4. THIS RECEPTACLE MATES WITH DT06-12S\* -\*\*\*\* PLUG.  
(\* = A,B,C,D KEY ARRANGEMENTS; \*\*\*\* = ALL MODIFICATIONS).  
CONSULT FACTORY FOR MODIFICATIONS.

3. FOR CONTACTS AND WIRE PERFORMANCE AND APPLICATION CHARACTERISTICS  
SEE ENVELOPE DRAWING 0425-015-0000 AND 0425-017-0000.

2. DIMENSIONS ARE ±.025[0.64] UNLESS OTHERWISE SPECIFIED.

NOTES: 1. DIMENSIONS ARE IN INCHES [MILLIMETERS].

CONTACT SIZE	MIN. INSUL. O.D.	MAX. INSUL. O.D.	WIRE RANGE [mm <sup>2</sup> ]
16	.088 [2.24]	.145 [3.68]	14-20 AWG [2.0-0.5]

SIGNATURE & DATE	
DR	A. MALAGON 04MAR11
CHK	D. Byford 3/11/11
PE	R. Meryn 7/4/11
APPD	S. Baum 3/10/11
SCALE	NONE
WT	

12 WAY RECEPTACLE  
ENHANCED KEY  
DT SERIES

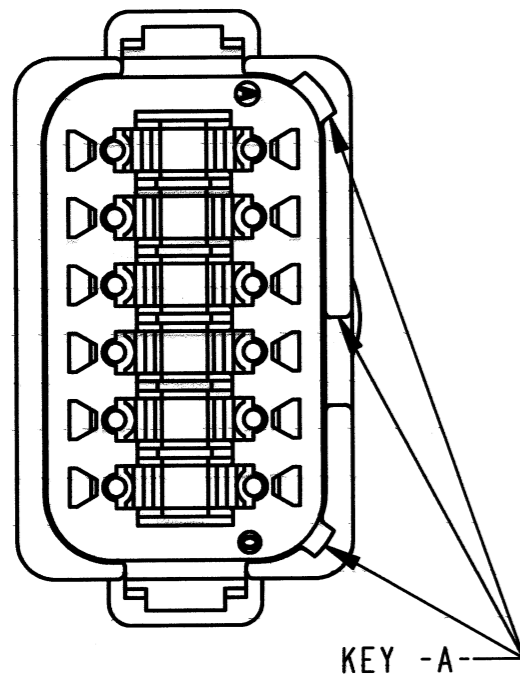
ENVELOPE

EP	MATL. CODE
3850 INDUSTRIAL AVE. HEMET, CA 92545	
<b>B</b>	<b>DT04-12P* -B016</b>
DWG SIZE	CODE 11139 SHEET 1 OF 2

REV		REVISIONS		
NC	SYM	DESCRIPTION	DATE	APPROVED
DT04-12P*-B016	NC	SEE SHEET 1	3-11-11	RDR

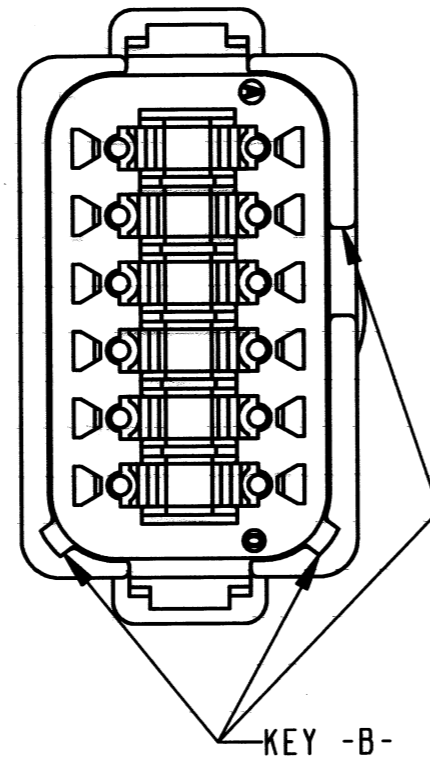
**DT04-12PA-B016**

KEY -A-  
COLOR: GREY



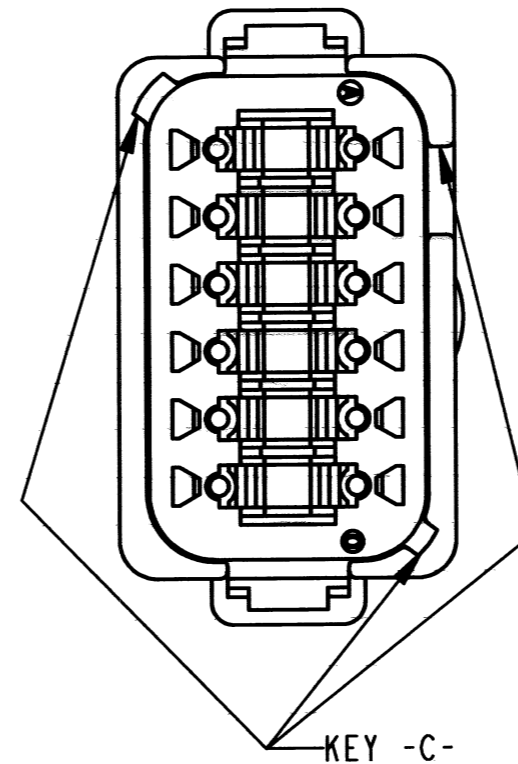
**DT04-12PB-B016**

KEY -B-  
COLOR: BLACK



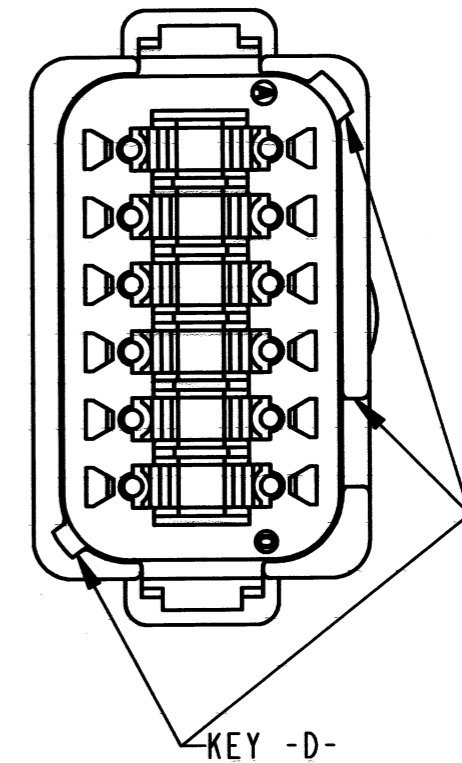
**DT04-12PC-B016**

KEY -C-  
COLOR: GREEN



**DT04-12PD-B016**

KEY -D-  
COLOR: BROWN



NOTES: SEE SHEET 1

SIGNATURE & DATE		12 WAY RECEPTACLE ENHANCED KEY DT SERIES	EP	MATL. CODE
DR	A. MALAGON 04MAR11		3850 INDUSTRIAL AVE. HEMET, CA 92545	
CHK	B. [Signature] 3/11/11		<b>DEUTSCH</b> INDUSTRIAL	
PE	R. [Signature] 3/4/11		<b>B</b> DT04-12P*-B016	
APPD	S. [Signature] 3/10/11		DWG SIZE	CODE 11139
SCALE	NONE	WT	ENVELOPE	