

PART NAME

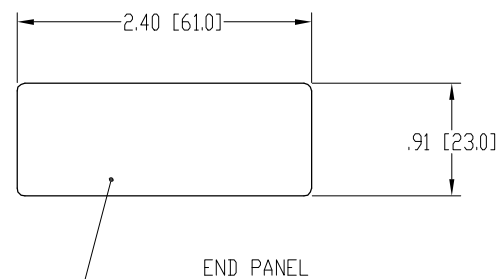
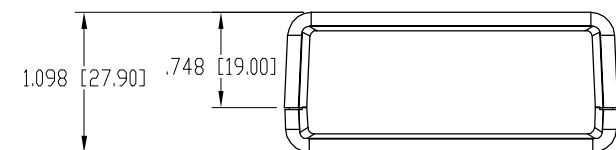
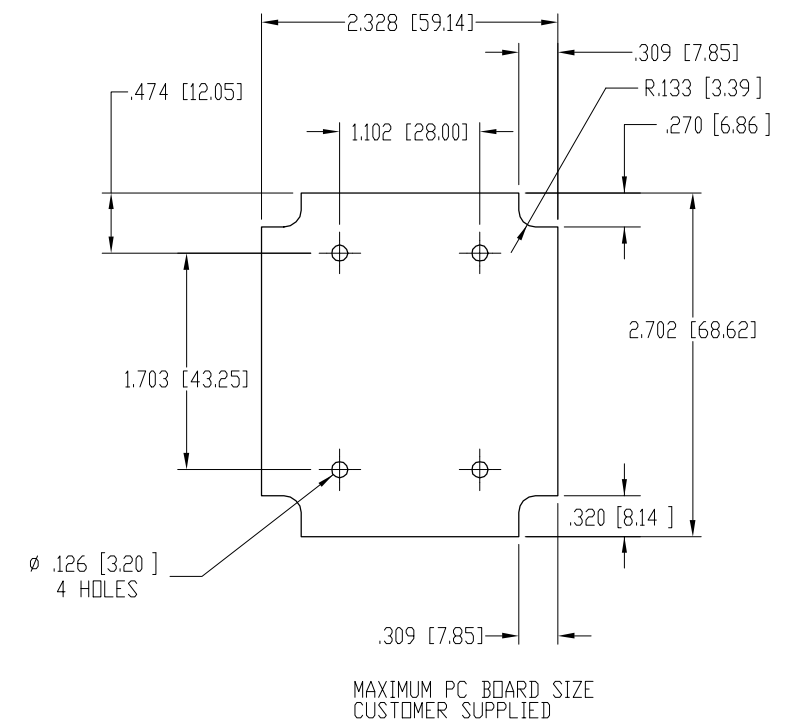
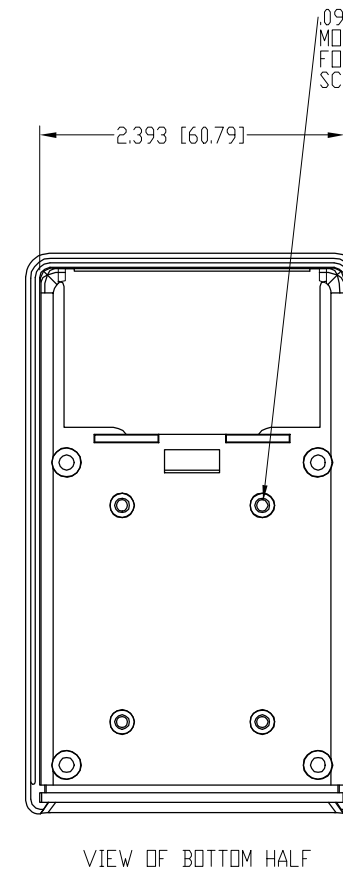
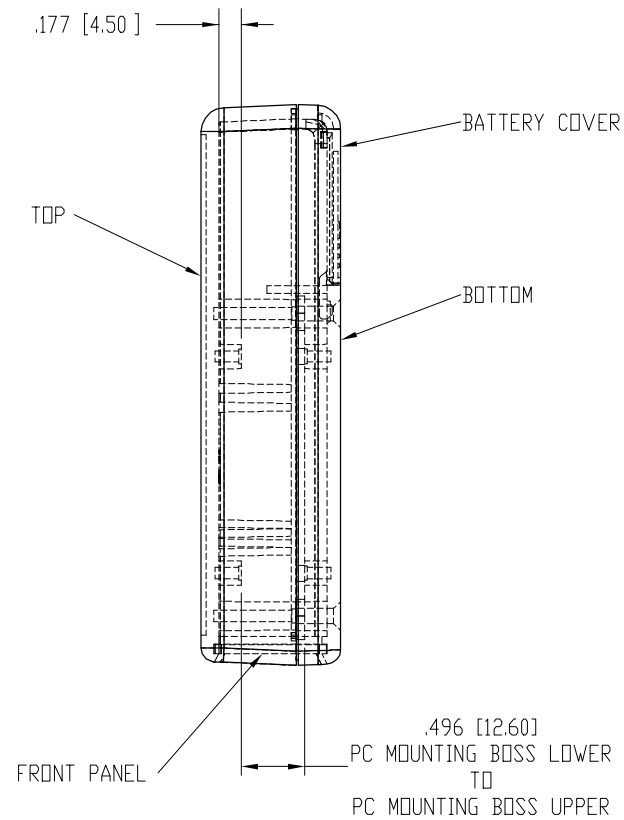
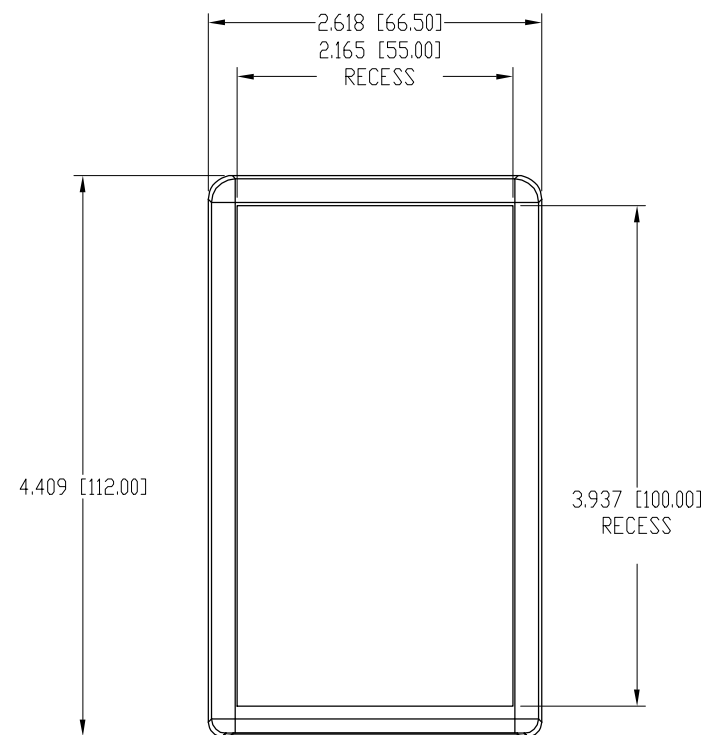
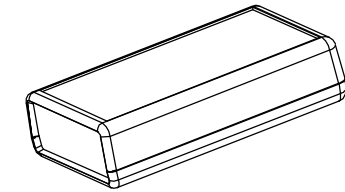
HAND-HELD PLASTIC BOX, STYLE 3

PART NO.

HP-3663-B

REVISION DATE

2-23-10



VIEWING AREA 2.28[57.9] X .82 [20.80]

MATERIAL AND FINISH:

BLACK HIGH-IMPACT ABS (UL94-HB) - TOP, BOTTOM, COVER, AND END PANEL

FOUR (4) M3 X .63 [16] LG SCREWS SUPPLIED FOR ASSEMBLY

OPTIONAL ACCESSORIES:

- INFRARED PANELS P/N HP-3645
- BELT CLIP (BLACK) P/N HH-3595-BCB
- AA BATTERY CONTACT KIT: HH-3442-C
- 9V BATTERY CLIP: HH-3449
- 2 AAA BATTERY HOLDER: HH-3630
- 4 AAA BATTERY HOLDER: HH-3631
- 2 AA BATTERY HOLDER: HH-3632
- 4 AA BATTERY HOLDER: HH-3633
- 9V BATTERY HOLDER: HH-3634

Mouser Electronics

Authorized Distributor

Click to View Pricing, Inventory, Delivery & Lifecycle Information:

[Bud Industries:](#)

[HP-3663-B](#)