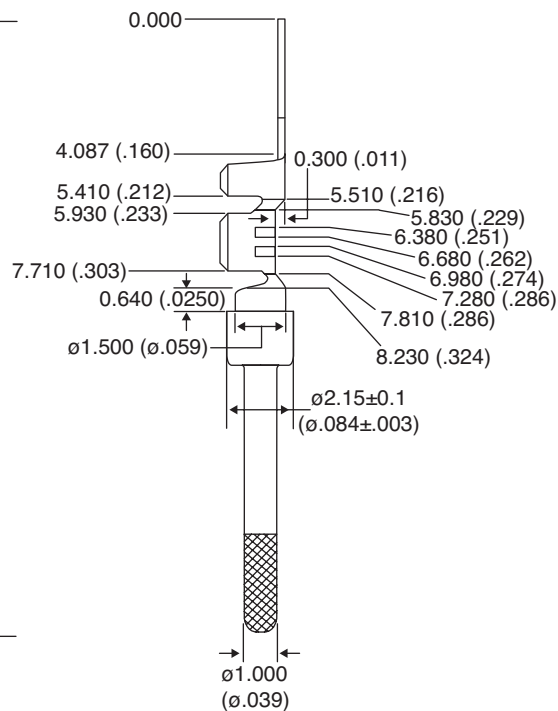
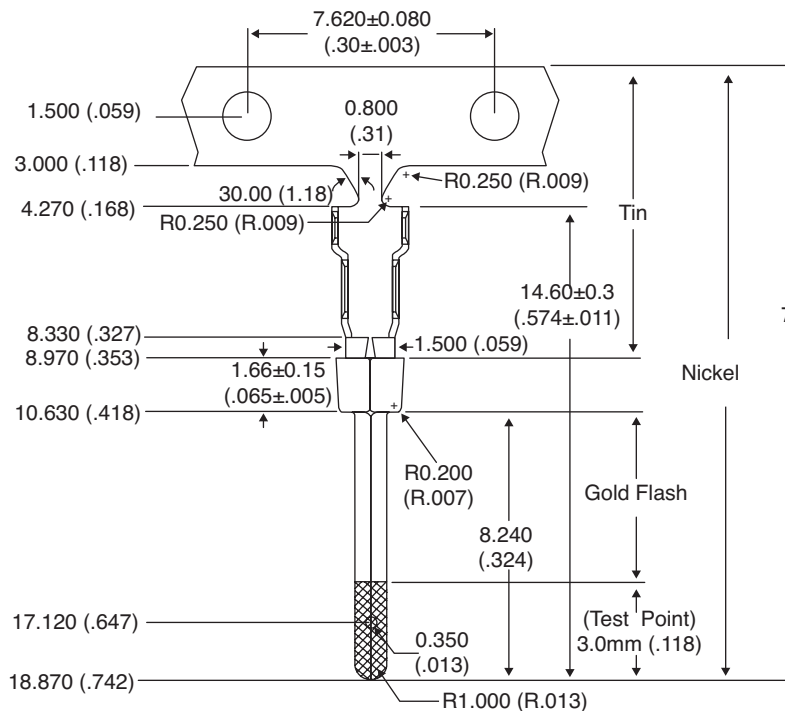


# D-Sub Crimp Pin (Male)

156-1402-E



D-Sub Crimp Pin (Male)



Dimensions: mm (in.)  
(except where noted)

SPECIFICATIONS	
<b>Material:</b>	C2680 HV160°
<b>Thickness:</b>	0.20mm
<b>Underplate:</b>	50µ" Nickel
<b>Contact Area:</b>	1µ"~50µ" Selective Gold
<b>Solder Tails Area:</b>	100µ" Tin/Lead (Brighten Tin) or 100µ" Tin/Lead Free (Brighten Tin/Matte Tin)
<b>Tolerance:</b>	±0.15mm
<b>Angle Tolerance:</b>	±1.0°
RoHS Compliant	

Date Last Revised: 09-11-07

Available from Mouser Electronics  
1-800-346-6873 / www.mouser.com

KC-301176

156-1402-E

# Mouser Electronics

Authorized Distributor

Click to View Pricing, Inventory, Delivery & Lifecycle Information:

[Kobiconn:](#)

[156-1402-E](#)