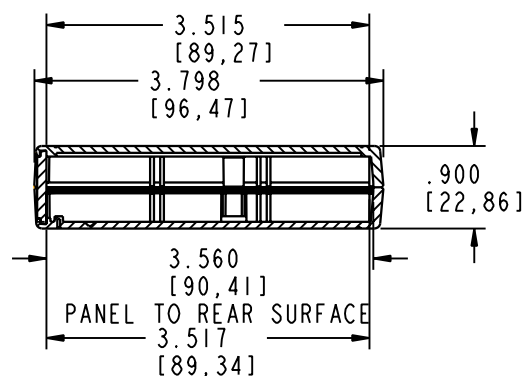
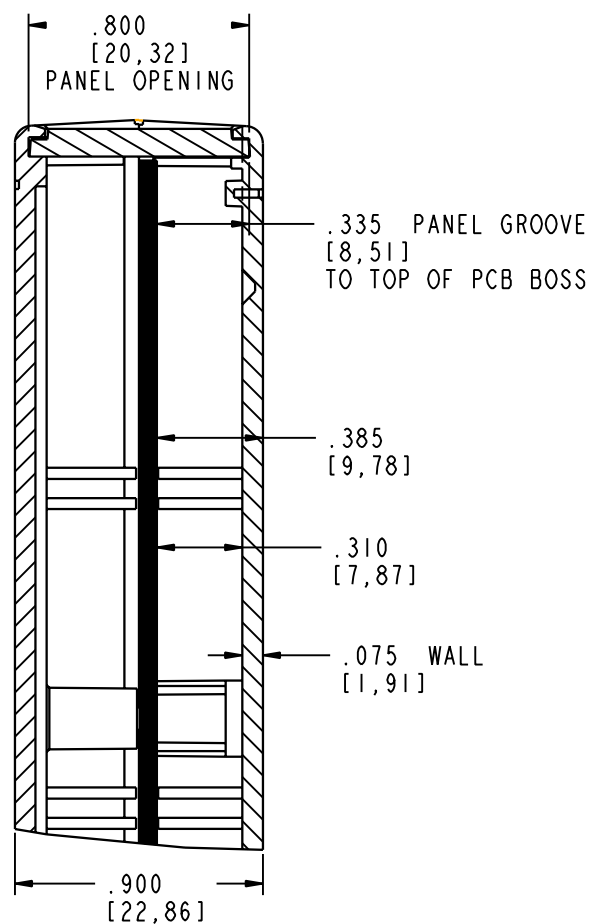
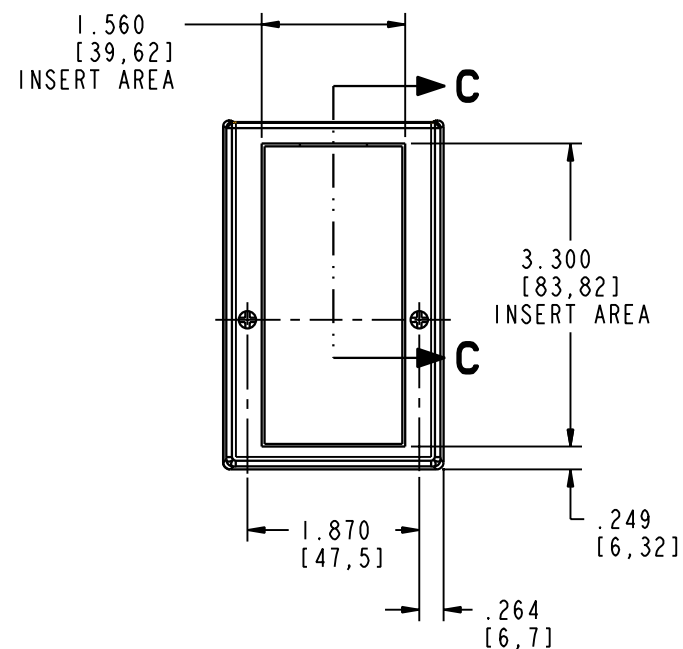


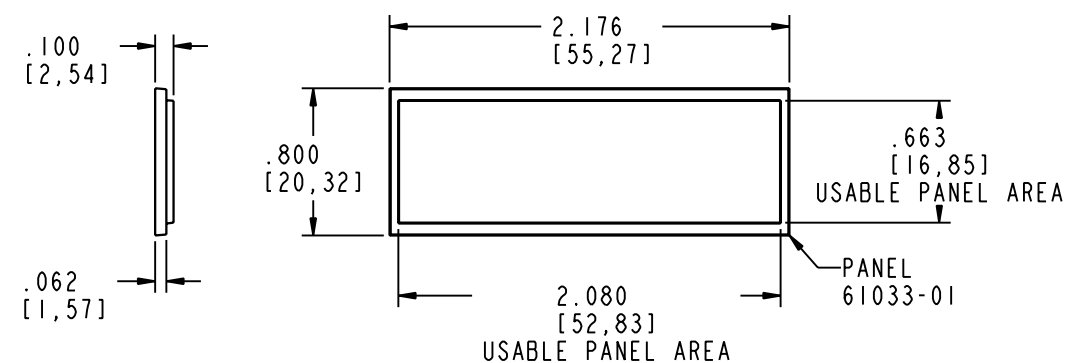
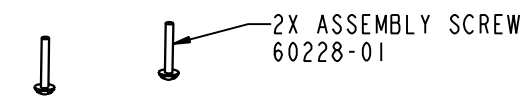
**SECTION A-A**



**SECTION B-B**



**SECTION C-C**



**PACINTEC**<sup>®</sup>  
1-610-361-4231

**HM**

VISIT **PACINTEC**<sup>®</sup>  
ON THE WORLD WIDE WEB  
[www.pactecenclosures.com](http://www.pactecenclosures.com)

| COLOR / MATERIAL CODE |      |      |
|-----------------------|------|------|
| COLOR                 | 94HB | 94VO |
| BLACK                 | 000  | 028  |
| P. C. BONE            | 039  | 060  |

| DRAWING NUMBER | REV |
|----------------|-----|
| 61093          | D   |

# Mouser Electronics

Authorized Distributor

Click to View Pricing, Inventory, Delivery & Lifecycle Information:

[PacTec:](#)

[72830-510-000 HM-2AAA Black Kit](#) [71883-01-000 HM-ET Black](#) [61914-510-039 HM Bone Kit](#)