

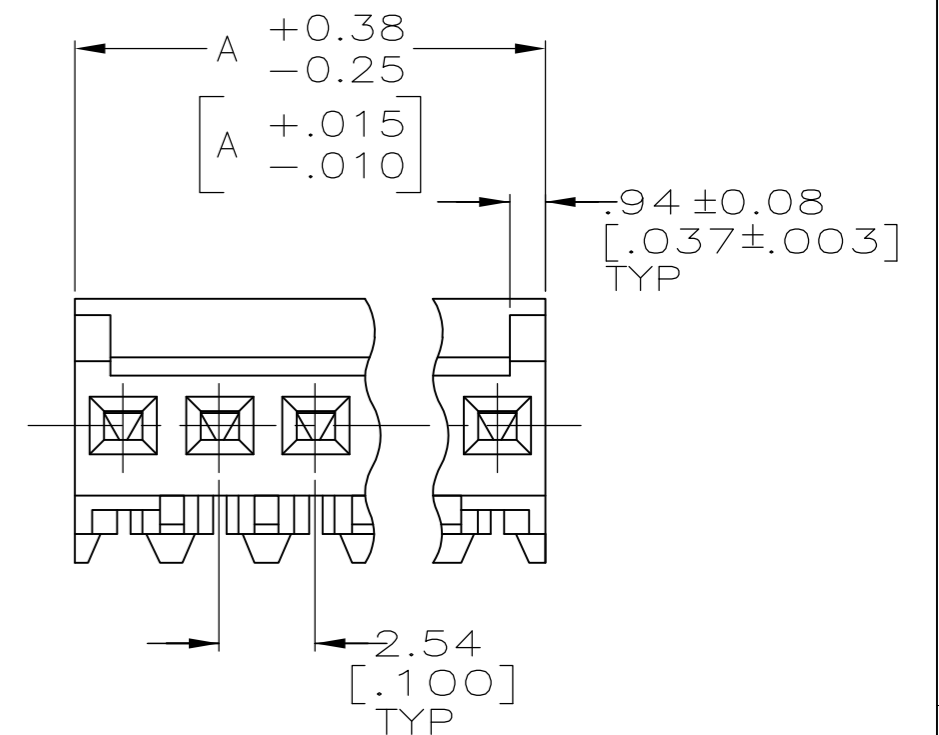
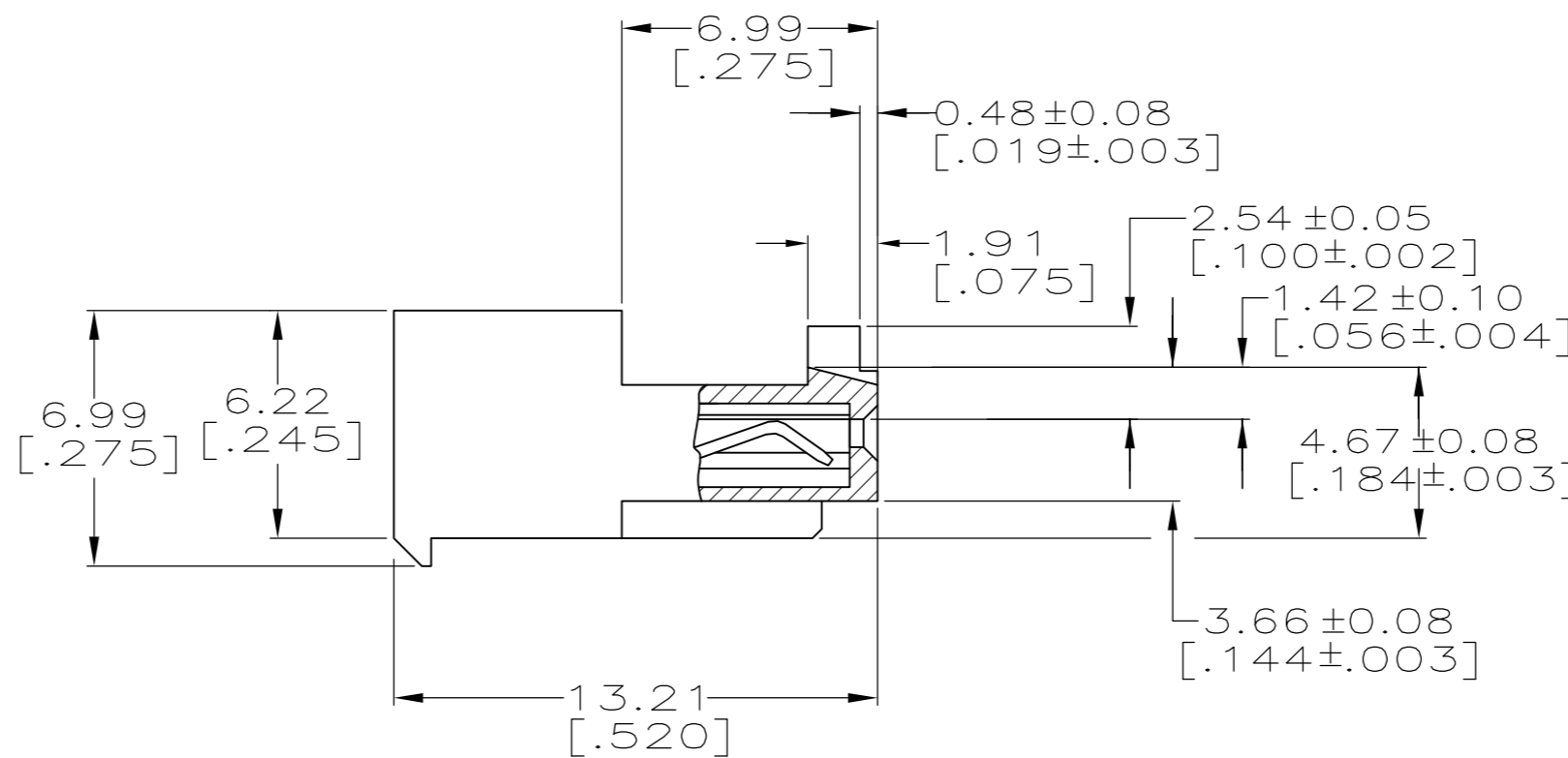
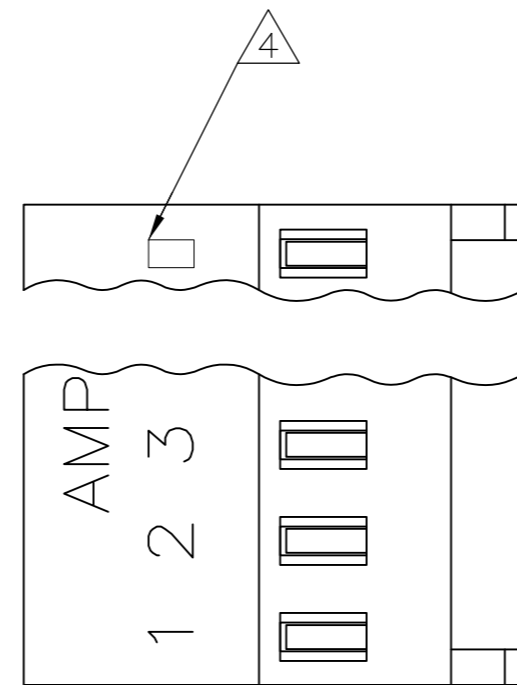
THIS DRAWING IS UNPUBLISHED. RELEASED FOR PUBLICATION
 © COPYRIGHT - By - TE CONNECTIVITY ALL RIGHTS RESERVED.

| REVISIONS | | | | |
|-----------|-----|---------------|-----------|---------|
| P | LTR | DESCRIPTION | DATE | APVD |
| H2 | | ECR-16-011710 | 22AUG2016 | N.L D.Z |

- 1 MATERIAL: CONNECTOR - NYLON UL94V-2 (BLUE).
 CONTACTS - 0.30[.012] THICK COPPER ALLOY BRIGHT TIN-LEAD .00203[.000080] MIN THICKNESS FOR 643815-2 THRU 2-643815-8.
 MATTE WHISKER MITIGATED TIN .00203[.000080] MIN THICKNESS OVER NICKEL UNDERPLATE FOR 3-643815-2 THRU 5-643815-8.
- 2 CONTACTS ACCEPT 26 AWG WIRE WITH 1.52[.060] MAX INSULATION DIAMETER.
- 3 CONTACTS MUST ACCEPT 0.64±0.03[.025±.001] POST AND REMAIN LOCKED IN POSITION.
- 4 IDENTIFICATION NUMBER FOR LAST CIRCUIT MAY NOT APPEAR ON ALL ASSEMBLIES.
- 5 DIMENSIONS IN BRACKETS ARE IN INCHES.
- 6 HOUSING FEATURES ARE: CLOSED END WITH LOCKING RAMP AND WITH POLARIZING TAB.
- 7 OBSOLETE PARTS: OBSOLETE CIS STREAMLINING PER D.RENAUD/D.SINISI

| | | | |
|-----|--------------|----|------------|
| YES | 71.12[2.800] | 28 | 5-643815-8 |
| YES | 68.58[2.700] | 27 | 5-643815-7 |
| YES | 66.04[2.600] | 26 | 5-643815-6 |
| YES | 63.50[2.500] | 25 | 5-643815-5 |
| YES | 60.96[2.400] | 24 | 5-643815-4 |
| YES | 58.42[2.300] | 23 | 5-643815-3 |
| YES | 55.88[2.200] | 22 | 5-643815-2 |
| YES | 53.34[2.100] | 21 | 5-643815-1 |
| YES | 50.80[2.000] | 20 | 5-643815-0 |
| YES | 48.26[1.900] | 19 | 4-643815-9 |
| YES | 45.72[1.800] | 18 | 4-643815-8 |
| YES | 43.18[1.700] | 17 | 4-643815-7 |
| YES | 40.64[1.600] | 16 | 4-643815-6 |
| YES | 38.10[1.500] | 15 | 4-643815-5 |
| YES | 35.56[1.400] | 14 | 4-643815-4 |
| YES | 33.02[1.300] | 13 | 4-643815-3 |
| YES | 30.48[1.200] | 12 | 4-643815-2 |
| YES | 27.94[1.100] | 11 | 4-643815-1 |
| YES | 25.40[1.000] | 10 | 4-643815-0 |
| YES | 22.86[.900] | 9 | 3-643815-9 |
| YES | 20.32[.800] | 8 | 3-643815-8 |
| YES | 17.78[.700] | 7 | 3-643815-7 |
| YES | 15.24[.600] | 6 | 3-643815-6 |
| YES | 12.70[.500] | 5 | 3-643815-5 |
| YES | 10.16[.400] | 4 | 3-643815-4 |
| YES | 7.62[.300] | 3 | 3-643815-3 |
| YES | 5.08[.200] | 2 | 3-643815-2 |

| | | | | | |
|----|--------------|----|------------|--------------------------|---|
| NO | 71.12[2.800] | 28 | 2-643815-8 | SUPERSEDED BY 5-643815-8 | 7 |
| NO | 68.58[2.700] | 27 | 2-643815-7 | SUPERSEDED BY 5-643815-7 | 7 |
| NO | 66.04[2.600] | 26 | 2-643815-6 | SUPERSEDED BY 5-643815-6 | 7 |
| NO | 63.50[2.500] | 25 | 2-643815-5 | SUPERSEDED BY 5-643815-5 | 7 |
| NO | 60.96[2.400] | 24 | 2-643815-4 | OBSOLETE | |
| NO | 58.42[2.300] | 23 | 2-643815-3 | SUPERSEDED BY 5-643815-3 | 7 |
| NO | 55.88[2.200] | 22 | 2-643815-2 | SUPERSEDED BY 5-643815-2 | 7 |
| NO | 53.34[2.100] | 21 | 2-643815-1 | SUPERSEDED BY 5-643815-1 | 7 |
| NO | 50.80[2.000] | 20 | 2-643815-0 | | |
| NO | 48.26[1.900] | 19 | 1-643815-9 | SUPERSEDED BY 4-643815-9 | 7 |
| NO | 45.72[1.800] | 18 | 1-643815-8 | SUPERSEDED BY 4-643815-8 | 7 |
| NO | 43.18[1.700] | 17 | 1-643815-7 | OBSOLETE | |
| NO | 40.64[1.600] | 16 | 1-643815-6 | | |
| NO | 38.10[1.500] | 15 | 1-643815-5 | SUPERSEDED BY 4-643815-5 | 7 |
| NO | 35.56[1.400] | 14 | 1-643815-4 | | |
| NO | 33.02[1.300] | 13 | 1-643815-3 | SUPERSEDED BY 4-643815-3 | 7 |
| NO | 30.48[1.200] | 12 | 1-643815-2 | SUPERSEDED BY 4-643815-2 | 7 |
| NO | 27.94[1.100] | 11 | 1-643815-1 | | |
| NO | 25.40[1.000] | 10 | 1-643815-0 | | |
| NO | 22.86[.900] | 9 | 643815-9 | | |
| NO | 20.32[.800] | 8 | 643815-8 | | |
| NO | 17.78[.700] | 7 | 643815-7 | | |
| NO | 15.24[.600] | 6 | 643815-6 | | |
| NO | 12.70[.500] | 5 | 643815-5 | | |
| NO | 10.16[.400] | 4 | 643815-4 | | |
| NO | 7.62[.300] | 3 | 643815-3 | | |
| NO | 5.08[.200] | 2 | 643815-2 | | |



METRIC

| | | | | |
|----------------------------------------|--|----------------------------|----------------------------------------------|---------------|
| THIS DRAWING IS A CONTROLLED DOCUMENT. | | DWN S. CARPENTER 11JUN2003 | | |
| DIMENSIONS: mm [INCHES] | | CHK D. BOSSI 11JUN2003 | | |
| TOLERANCES UNLESS OTHERWISE SPECIFIED: | | APVD D. BOSSI 11JUN2003 | NAME | |
| 0 PLC ± | | PRODUCT SPEC | MTA 100 CONNECTOR ASSEMBLY, 26 AWG, STANDARD | |
| 1 PLC ± | | 108-1050 | SIZE | CAGE CODE |
| 2 PLC ± | | APPLICATION SPEC | A2 | 00779 |
| 3 PLC ± 0.13 [.005] | | 114-1019 | DRAWING NO | RESTRICTED TO |
| 4 PLC ± | | WEIGHT 0 | C=643815 | - |
| ANGLES ± | | CUSTOMER DRAWING | SCALE 5:1 | SHEET 1 of 1 |
| FINISH | | | REV H2 | |

Mouser Electronics

Authorized Distributor

Click to View Pricing, Inventory, Delivery & Lifecycle Information:

[TE Connectivity:](#)

[4-643815-6](#)