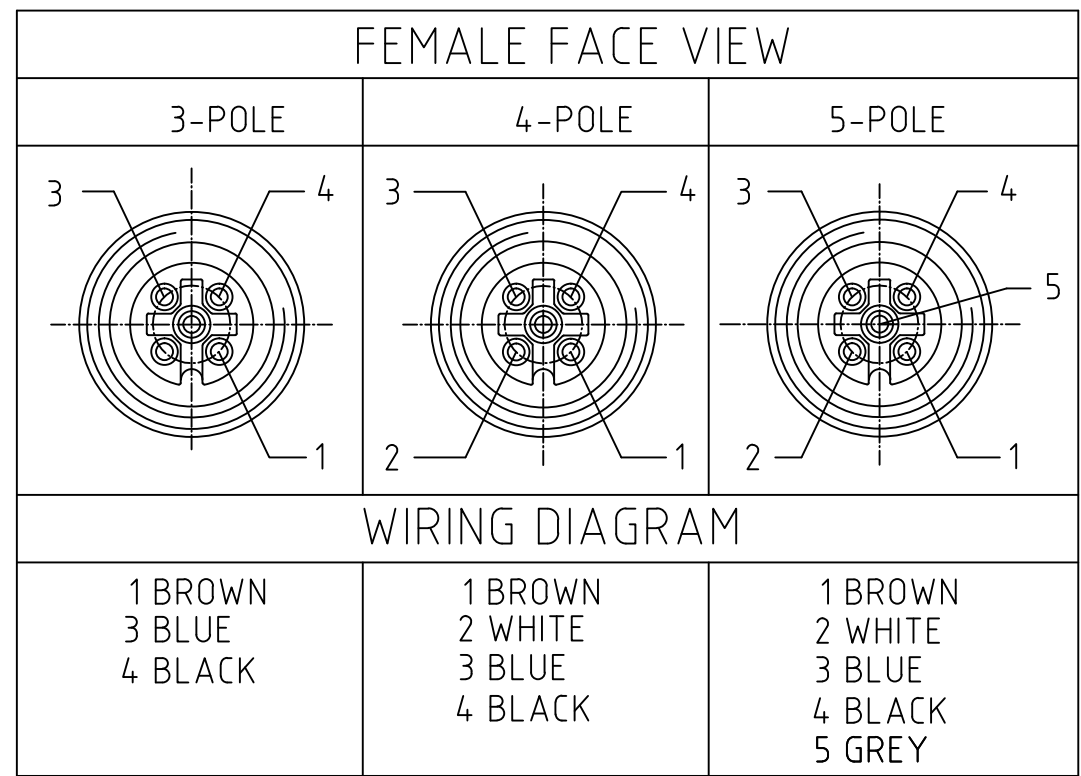


805001A09M020

no poles 3-5 pole

cable type #22/3-5 PVC YELLOW

020----2 Meters
100----10 Meters



CONNECTOR SPECIFICATION:

VOLTAGE RATING	250 VAC/VDC
AMPERAGE RATING	max. 4 AMPS
PROTECTION	IP67
OPERATING TEMPERATURE	-20°C TO 105°C
UL CERTIFICATIONS	UL RECOGNIZED, FILE NO. E152210
ASSEMBLY	RoHS COMPLIANT

COMPONENT	MATERIAL	FINISH
LABEL	MYLAR	BLACK/YELLOW
O-RING	VITON	RED
COUPLER	BRASS	NICKEL PLATED
PIN CONTACT	COPPER ALLOY	GOLD OVER NICKEL
INSERT	NYLON	BLACK
OVERMOLD	PUR	YELLOW
CABLE- 22/3-5 (TINNED COPPER STRANDING) 3/4/5 CONDUCT. 300V	JACKET: PVC	JACKET: YELLOW

MATERIAL NUMBER	ENGINEERING NUMBER	FINISHED LENGTH
1200651444	803001A09M020	6.56' +3.5" -0 [2.0M +89 -0]
1200651551	804001A09M020	6.56' +3.5" -0 [2.0M +89 -0]
1200651697	805001A09M020	6.56' +3.5" -0 [2.0M +89 -0]
1200651567	804001A09M100	32.81' +12.5" -0 [10.0M +318 -0]

UPDATED COMPONENT EC NO.: IPG2018-0382 DRWN: CCHRASKY 2018/02/09 CHKD: MZIELINS 2018/02/09 APPR: BWOODMAN 2010/01/25	QUALITY SYMBOLS ▽ = 0 ▽ = 0	GENERAL TOLERANCES (UNLESS SPECIFIED) <table border="1"> <thead> <tr> <th></th> <th>mm</th> <th>INCH</th> </tr> </thead> <tbody> <tr> <td>4 PLACES</td> <td>±---</td> <td>±---</td> </tr> <tr> <td>3 PLACES</td> <td>±---</td> <td>±.005</td> </tr> <tr> <td>2 PLACES</td> <td>±.13</td> <td>±.010</td> </tr> <tr> <td>1 PLACE</td> <td>±.25</td> <td>±.020</td> </tr> <tr> <td colspan="3">ANGULAR ± .5 °</td> </tr> </tbody> </table>		mm	INCH	4 PLACES	±---	±---	3 PLACES	±---	±.005	2 PLACES	±.13	±.010	1 PLACE	±.25	±.020	ANGULAR ± .5 °			DIMENSION STYLE IN/MM DRAWN BY: GGUSTAFS DATE: 2013/11/26 CHECKED BY: RE DATE: 2010/01/21 APPROVED BY: NSTAUDIG DATE: 2010/01/25	SCALE: NTS DESIGN UNITS: INCH THIRD ANGLE PROJECTION
		mm	INCH																			
	4 PLACES	±---	±---																			
	3 PLACES	±---	±.005																			
	2 PLACES	±.13	±.010																			
1 PLACE	±.25	±.020																				
ANGULAR ± .5 °																						
B	DRAFT WHERE APPLICABLE MUST REMAIN WITHIN DIMENSIONS	SEE CHART	MICRO-CHANGE CORDSET 3-5 POLE FEMALE 90D 22/AWG YELLOW PVC CABLE MOLEX INCORPORATED DOCUMENT NO. SD-120065-027 SHEET NO. 1 OF 1																			
	THIS DRAWING CONTAINS INFORMATION THAT IS PROPRIETARY TO MOLEX INCORPORATED AND SHOULD NOT BE USED WITHOUT WRITTEN PERMISSION																					
	SIZE A3																					

Mouser Electronics

Authorized Distributor

Click to View Pricing, Inventory, Delivery & Lifecycle Information:

Molex:

[1200651555](#) [804001A09M040](#)