

Customer Information Sheet

DRAWING No.: M50-360XX42

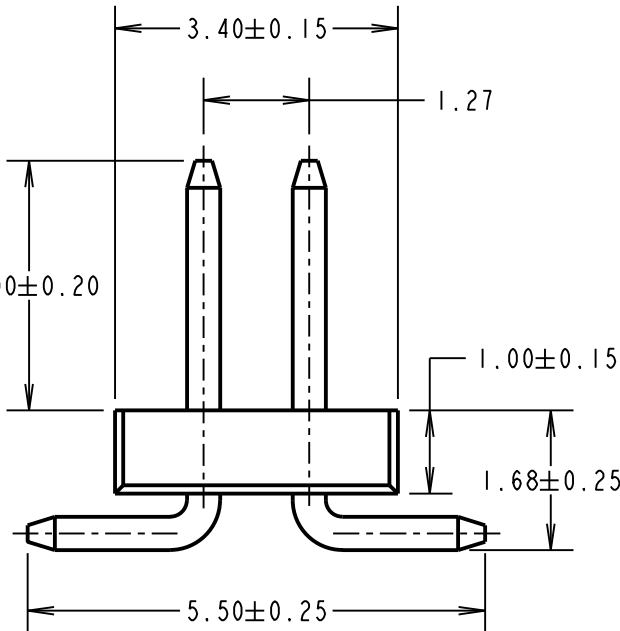
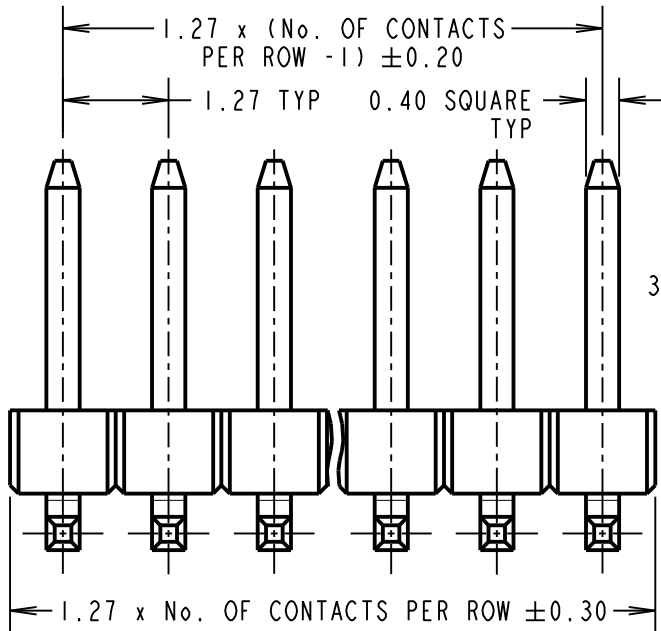
IF IN DOUBT - ASK

©

NOT TO SCALE

THIRD ANGLE PROJECTION

ALL DIMENSIONS IN mm



SPECIFICATIONS:

MATERIAL:

MOULDING = HIGH TEMP THERMOPLASTIC,
UL94V-0, BLACK

CONTACTS = COPPER ALLOY

FINISH:

CONTACTS = 0.70 TO 1.30µ NICKEL ALL OVER,
0.08 TO 0.15µ GOLD ON CONTACT AREA,
2.50 TO 3.00µ 100% TIN ON TAILS

ELECTRICAL:

CURRENT RATING = 1A
CONTACT RESISTANCE = 20mΩ MAX
INSULATION RESISTANCE = 1000MΩ MIN
DIELECTRIC WITHSTANDING = 1000V AC FOR
ONE MINUTE

MECHANICAL:

DURABILITY = 300 CYCLES MIN

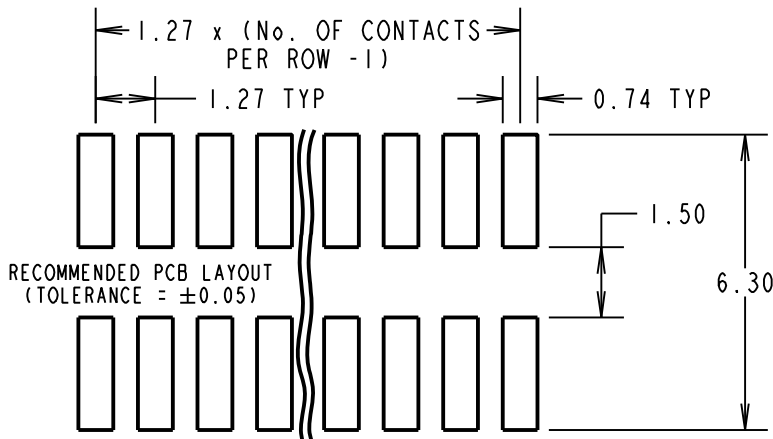
ENVIRONMENTAL:

TEMPERATURE RANGE = -40°C TO +105°C

PACKING:

BOX

FOR COMPLETE SPECIFICATION, SEE COMPONENT SPECIFICATION C029XX (LATEST ISSUE)



OBSOLETE

No. of contacts per row = 16 to
19, 21 to 24, 26 to 50
Last Time Buy = 15th June 2018

M50-360XX42

No. OF CONTACTS PER ROW: _____

02 to 15, 20, 25

FINISH: _____

42 = SELECTIVE GOLD & 100% TIN OVER NICKEL

MGP	16	21.08.13	12195
NAME	ISS.	DATE	C/NOTE
APPROVED: MGP			
CHECKED: SF			
DRAWN: J. KIER			
CUSTOMER REF.:			
ASSEMBLY DRG:			

HARWIN

www.harwin.com
technical@harwin.com

THIS DRAWING AND ANY INFORMATION OR DESCRIPTIVE MATTER SET OUT HEREON ARE CONFIDENTIAL AND COPYRIGHT PROPERTY OF THE HARWIN GROUP AND MUST NOT BE DISCLOSED, LOANED, COPIED OR USED FOR MANUFACTURING, TENDERING OR FOR ANY OTHER PURPOSE WITHOUT THEIR WRITTEN PERMISSION.

TOLERANCES

X. = ±1mm
X.X = ±0.25mm
X.XX = ±0.10mm
X.XXX = ±0.01mm
ANGLES = ±5°
UNLESS STATED

MATERIAL:

SEE ABOVE

FINISH: SEE ABOVE

S/AREA: mm²

TITLE:

1.27mm PITCH DIL VERTICAL SMT PIN HEADER

DRAWING NUMBER:

M50-360XX42

SHT
2 OF 2