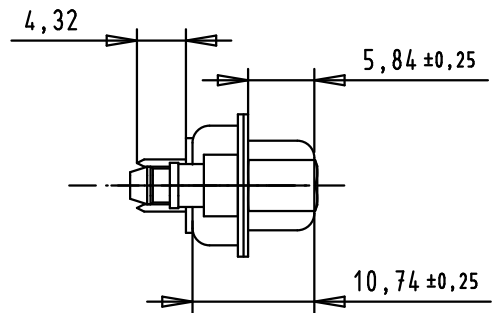
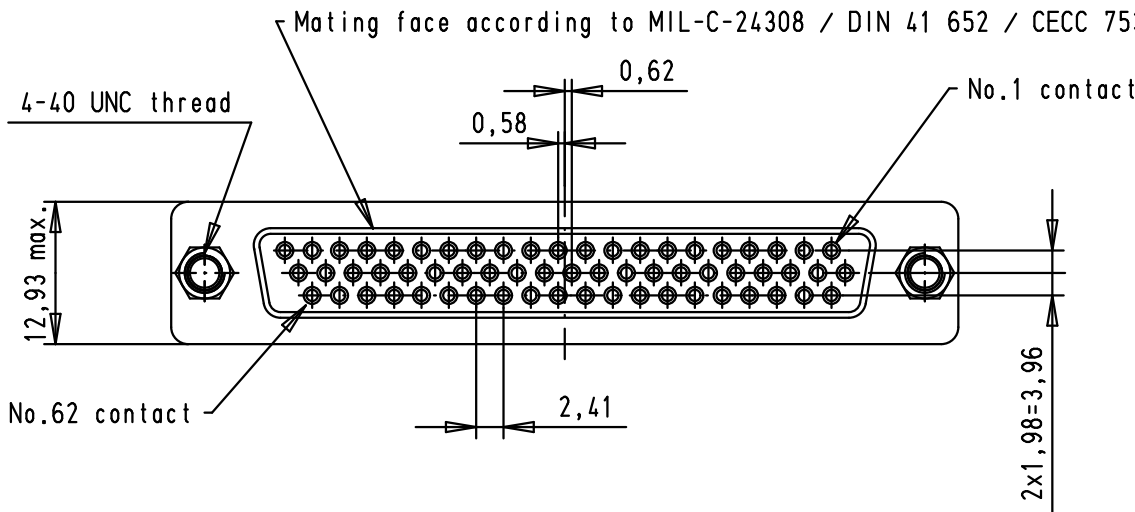
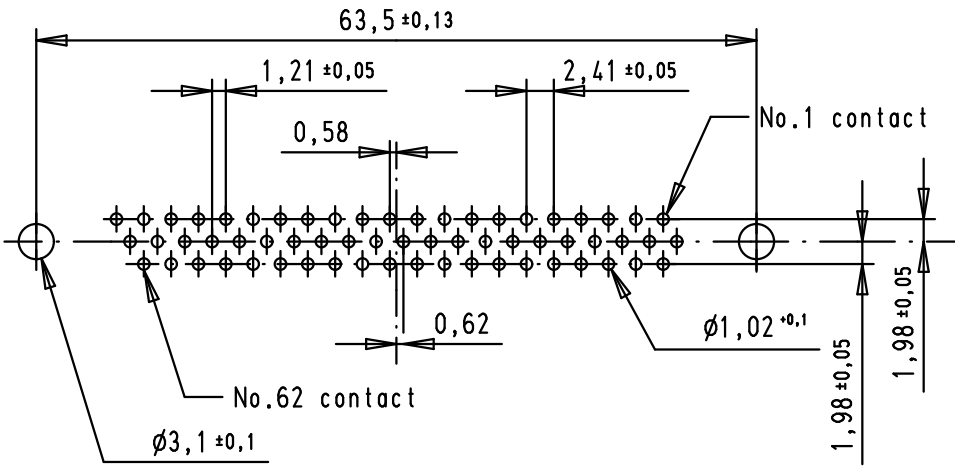
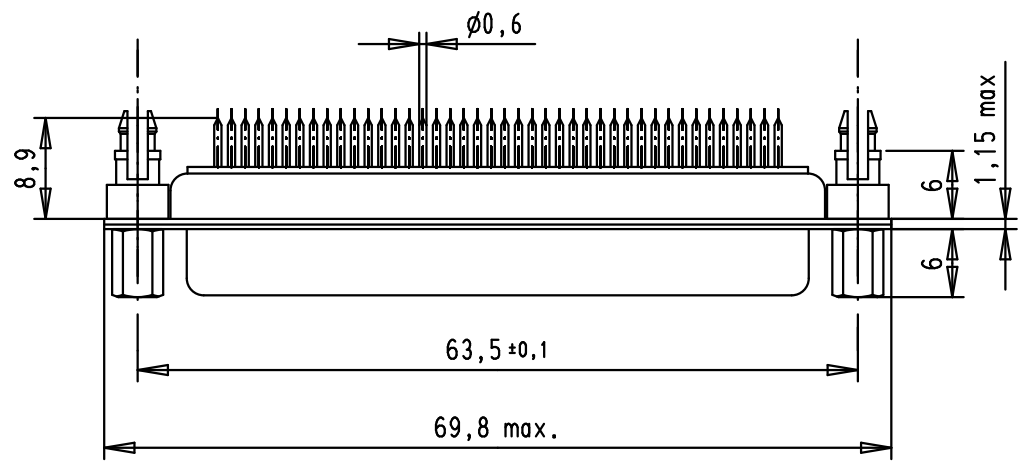


5 4 3 2 1

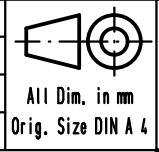


Printed board layout, component side
PCB thickness 1,6mm



09564515513	0.76 μm Au
09564517513	3
Part number	Performance level

				Dat.	Name
			Detail.	3-jun-03	SH
36183	13/10/10	BH	Insp.		
32735	18/03/05	AL	Stand.		
32326	03/01/05	TR			
31503	3-06-03	CV			
Mod.	Dat.	Name	HARTING EURL F-95972 Paris		



Dsub, 62 poles, female, straight solder pins, board locks, screw locks	Maßstab/ Scale
	1.5:1
TB 0956451x513	Blatt/ Page
Sub.	1 / 1



Mouser Electronics

Authorized Distributor

Click to View Pricing, Inventory, Delivery & Lifecycle Information:

[HARTING:](#)

[09564517513](#) [09564515513](#)