



Figure 1

## 1. INTRODUCTION

SFP PT Connector Extraction Tools 1725480-[ ] are used to remove a press-fit SFP PT connector from the pc board. The connector is a part of an SFP connector and cage assembly. Read these instructions thoroughly before using the tool.

**NOTE**  The cage assembly must be removed from the pc board **BEFORE** the connector. These extraction tools are used to remove the connector only. To remove the cage assembly, refer to 408-8849.

**NOTE**  Dimensions in this instruction sheet are in metric units [with U.S. customary units in brackets]. Figures are not drawn to scale.

Reasons for reissue of this instruction sheet are provided in Section 7, REVISION SUMMARY.

## 2. DESCRIPTION

The extraction tool consists of a top plate, a pin guide block, push pins, and two spring-loaded guide pins. The top plate is marked with an arrow for proper orientation of the tool. See Figure 1.

The top plate provides a surface to accept the force applied by the application tool to extract the connector from the pc board. The guide pins ensure proper alignment of the extraction tool with the connector.

During extraction, the push pins are forced through holes in the pin guide block, onto the contacts of the connector, and through the holes in the pc board.

## 3. REQUIREMENTS

### 3.1. PC Board Support Fixture (Customer Supplied)

A pc board support must be used to provide proper support for the pc board and to protect the pc board and the connector from damage. The board support fixture must be designed for specific needs using the following recommendations:

- it should be at least 25.4 mm [1 in.] wider than the pc board
- it should have a flat surface with a cutout that allows adequate clearance for the connector

### 3.2. Application Tooling

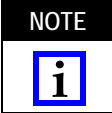
Power for the extraction tool must be provided by an application tool (with a ram) capable of supplying a downward force of 44.5 N [10 lb] per contact. For available application tools, call **PRODUCT INFORMATION** at the number at the bottom of this page.



**CAUTION** *Over-driving of the connector could cause damage to the pc board.*

#### 4. EXTRACTION PROCEDURE

1. Remove the cage assembly from the pc board according to 408-8849.



*The cage assembly must be removed from the pc board BEFORE removing the connector.*

2. Place the pc board (with the connector) on the board support fixture.

3. Position the extraction tool over the connector so that the guide pins align with the connector alignment posts. Make sure that the arrow (located on the top of the top plate) is pointing toward the front of the connector. Refer to Figure 1.

4. Carefully seat the extraction tool onto the pc board. If the connector contacts are protruding from the pc board, DO NOT allow the contacts to stub as they enter the holes in the bottom of the pin guide block. Make sure that the pin guide block is flush with the pc board. Refer to Figure 2.

5. Center the extraction tool (with connector, pc board, and support fixture) under the ram of the application tool. Slowly lower the ram until it just meets the extraction tool. Verify alignment of support fixture, pc board, connector, and extraction tool.



*Damage to the pc board or connector may occur if the extraction tool is not properly aligned with the ram before cycling the application tool.*

6. Cycle the application tool to extract the connector from the pc board. Then retract the ram, and remove the extraction tool from the pc board.

#### 5. MAINTENANCE AND INSPECTION

The extraction tool is assembled and inspected before shipment. It is recommended that the extraction tool be inspected immediately upon arrival at your facility to ensure that it has not been damaged during shipment, and that it conforms to the dimensions provided in Figure 3.

##### 5.1. Daily Maintenance

It is recommended that each operator be made aware of, and responsible for, the following steps of daily maintenance:

1. Remove dust, moisture, and contaminants with a clean, soft brush or a lint-free cloth. DO NOT use objects that could damage the extraction tool components.
2. When the extraction tool is not in use, store it in a clean, dry area.

##### 5.2. Periodic Inspection

Regular inspections should be performed by quality control personnel. A record of scheduled inspections should remain with the extraction tool or be supplied to personnel responsible for the extraction tool.

Inspection frequency should be based on amount of use, working conditions, operator training and skill, and established standards.

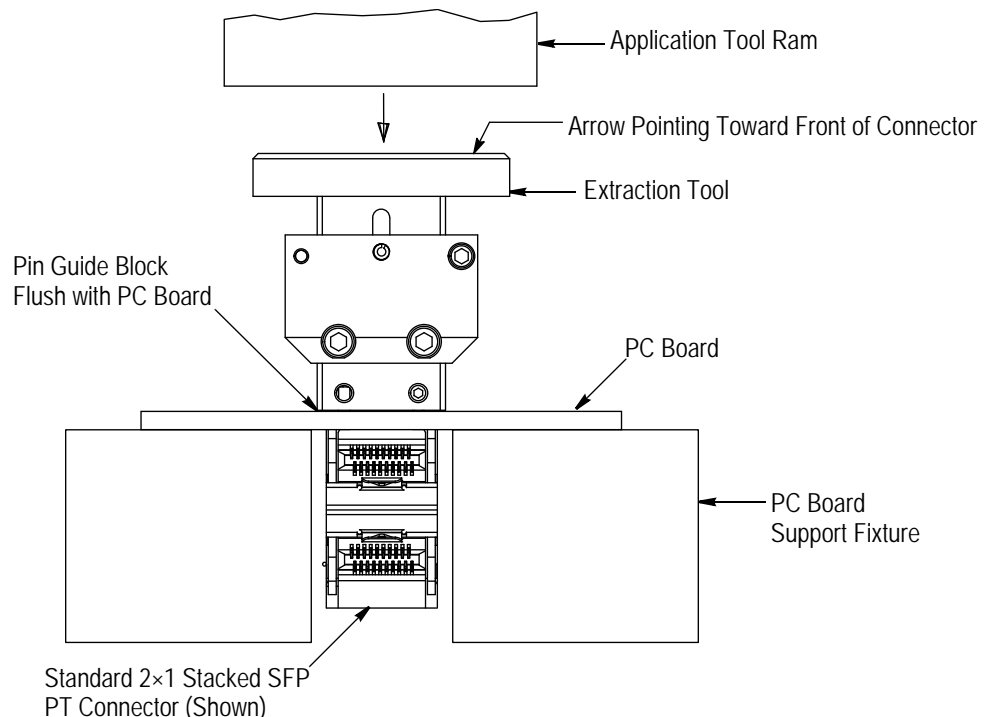


Figure 2

### 6. REPLACEMENT AND REPAIR

Customer-replaceable parts are listed in Figure 3. A complete inventory should be stocked and controlled to prevent lost time when replacement of parts is necessary. Parts other than those listed should be replaced by TE Connectivity to ensure quality and reliability. Order replacement parts through your representative, or call 1-800-526-5142, or send a facsimile of your purchase order to 717-986-7605, or write to:

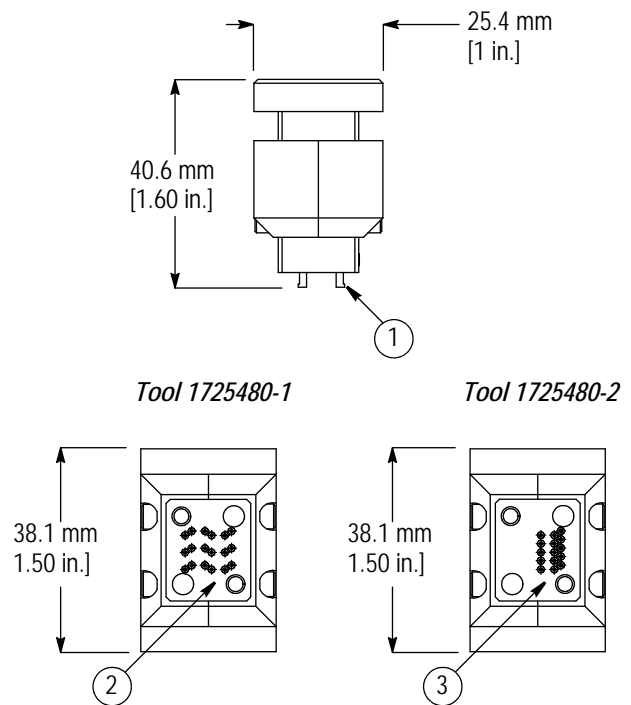
CUSTOMER SERVICE (038-035)  
 TYCO ELECTRONICS CORPORATION  
 PO BOX 3608  
 HARRISBURG PA 17105-3608

For customer repair service, call 1-800-526-5136.

### 7. REVISION SUMMARY

Revisions to this instruction sheet include:

- Changed company name and logo



REPLACEMENT PARTS			
ITEM	PART NUMBER	DESCRIPTION	QTY PER TOOL
1	1725481-1	PIN, Guide	2
2	1725479-1	PIN, Push	18
3	1725479-1	PIN, Push	15

Figure 3

# Mouser Electronics

Authorized Distributor

Click to View Pricing, Inventory, Delivery & Lifecycle Information:

[TE Connectivity:](#)

[1725480-1](#)