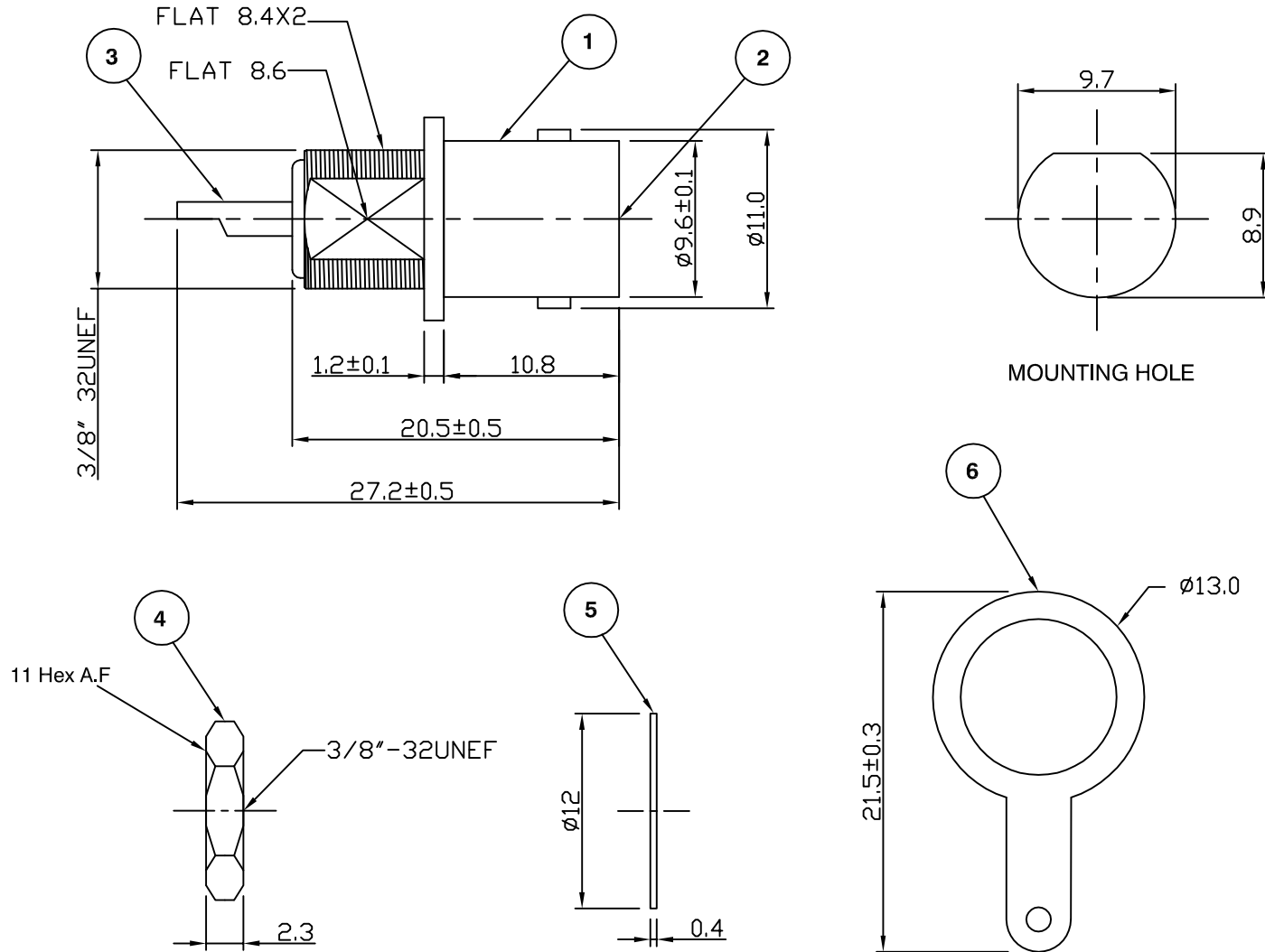


RoHS COMPLIANT



Electrical Characteristics

Nominal Impedance:	50 ohms
Frequency Range:	DC to 4 GHz
Insertion Loss:	0.2 dB at 3 GHz
Operating Voltage (rms):	500 V maximum at sea level
Dielectric Withstand Voltage (rms):	1500 V maximum at sea level
Contact Resistance:	1.5 milliohms maximum
Insulation Resistance:	5000 megohms minimum

Mechanical Characteristics

Mating Cycles:	500 cycles minimum
Interface Dimensions:	Conform to MIL-C-39012

Environmental Characteristics

Temperature Range:	-65 °C to +165 °C
--------------------	-------------------

PART	DESCRIPTION
1	Body Brass, nickel plated
2	Dielectric POM
3	Pin Brass, gold plated
4	Nut Brass, nickel plated
5	Washer Brass, nickel plated
6	Solder Tag Brass, nickel plated

DESCRIPTION OF REVISION	APPVD	ISS	DATE
Dielectric extension deleted	MS	6	12 Sept 11
Dimensional update on Solder Tag	JT	5	26 April 10
Body Material Brass	MS	4	24 Aug 09
CAD Issue	SN	3	06 Nov 01
Machined Contact	AT	2	09 June 94
First Issue	IS	1	16 July 93



Cinch Connectivity Solutions
7-13 Russel Way,
Widford Industrial Estate,
Chelmsford, Essex,
CM1 3AA, UK.
Tel: +44 (0) 1245 359515
Fax: +44 (0) 1245 358938

SCALE: Not To Scale

DIMENSIONS: mm

TOLERANCES:
 ± 0.2 mm unless
otherwise stated

DRAWN BY:

S Nash

CHECKED BY:

M Nielsen

APPROVED BY:

P Couzens

DATE:

06 Nov 01

TITLE:

BNC Panel Mount Jack

PART NUMBER:

VB1094

PAGE: 1 of 1

Mouser Electronics

Authorized Distributor

Click to View Pricing, Inventory, Delivery & Lifecycle Information:

[Cinch Connectivity Solutions:](#)

[VB1094](#)