

REVISIONS						
P	F	ZONE	LTR	DESCRIPTION	DATE	APPROVED
✓	✓		G1	REVISED PER ECO-11-005294	11APR11	HMR

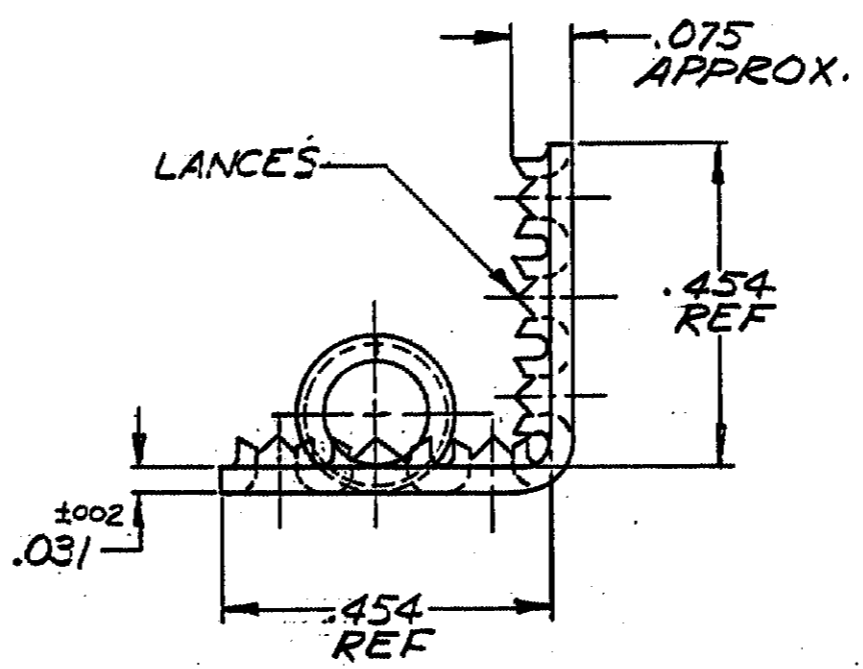
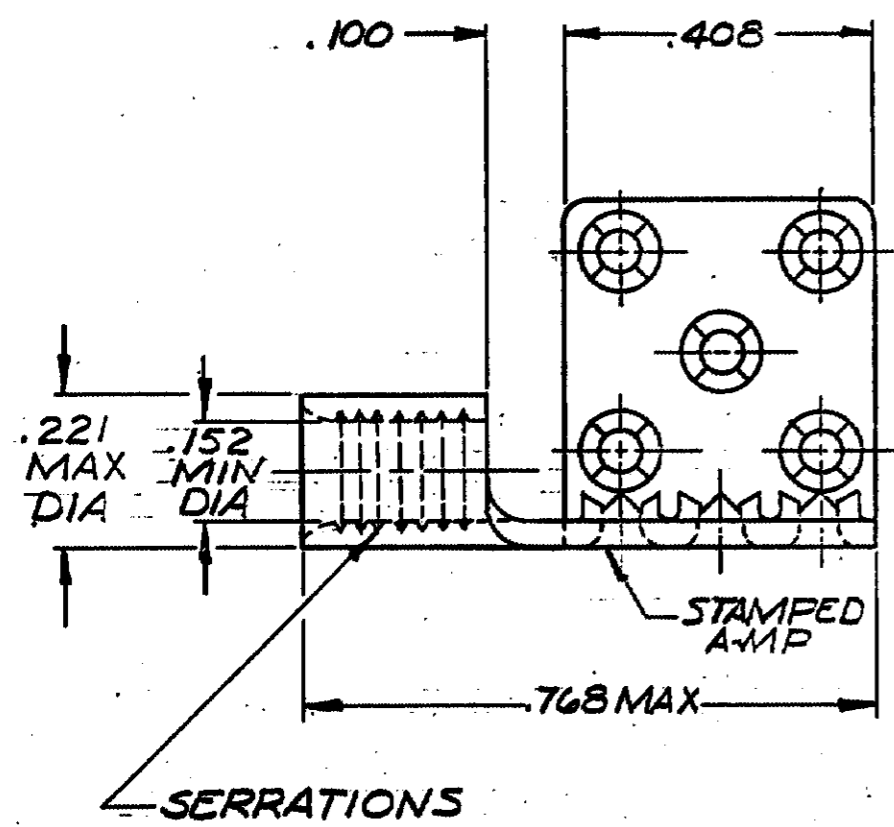


TABLE I

COPPER (QQ-C-576) ANNEALED FINISH: SEE TABLE II	2-329254-4
	329254
MATERIAL & FINISH	PART NO

TABLE II

2-329254-4	TIN PL (MIL-T-10727)
329254	BRIGHT NICKEL PL (QQ-N-290).0002MIN EXT. THK
PART NO.	FINISH

UNLESS OTHERWISE SPECIFIED DIMENSIONS ARE IN INCHES. TOLERANCES ON: DECIMALS ±.008 ANGLES ± 5°	CONTRACT NO		TE Connectivity
	DR	10-26-73	
	CHK	10-26-73	
	APPD	10-29-73	
MATERIAL	SEE TABLE I	NAME	WIRE TERMINAL
FINISH	SEE TABLE I	APPD	10-29-73
DSGN APPD		APPD	10-29-73
OTHER APPD		SIZE	B
		CODE IDENT NO	00779
		NUMBER	329254
		SCALE	4:1
		SHEET	1 OF 1

Mouser Electronics

Authorized Distributor

Click to View Pricing, Inventory, Delivery & Lifecycle Information:

[TE Connectivity:](#)

[2-329254-4](#)