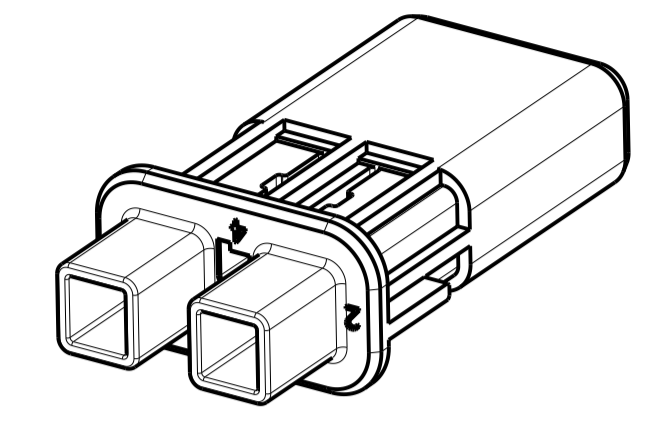
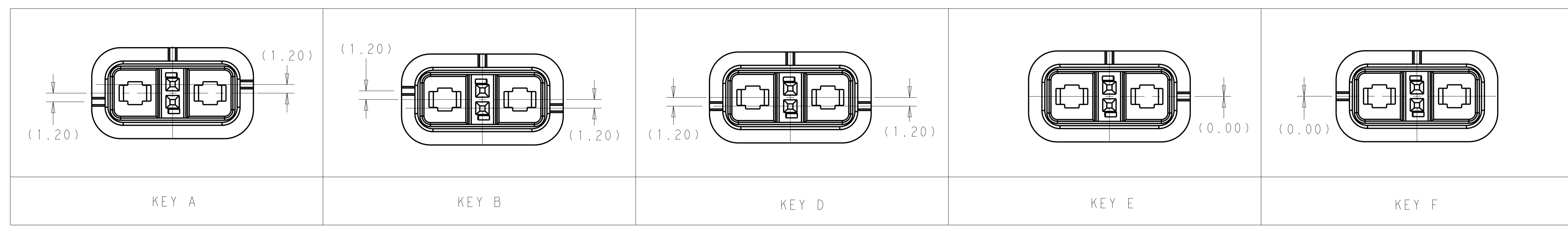
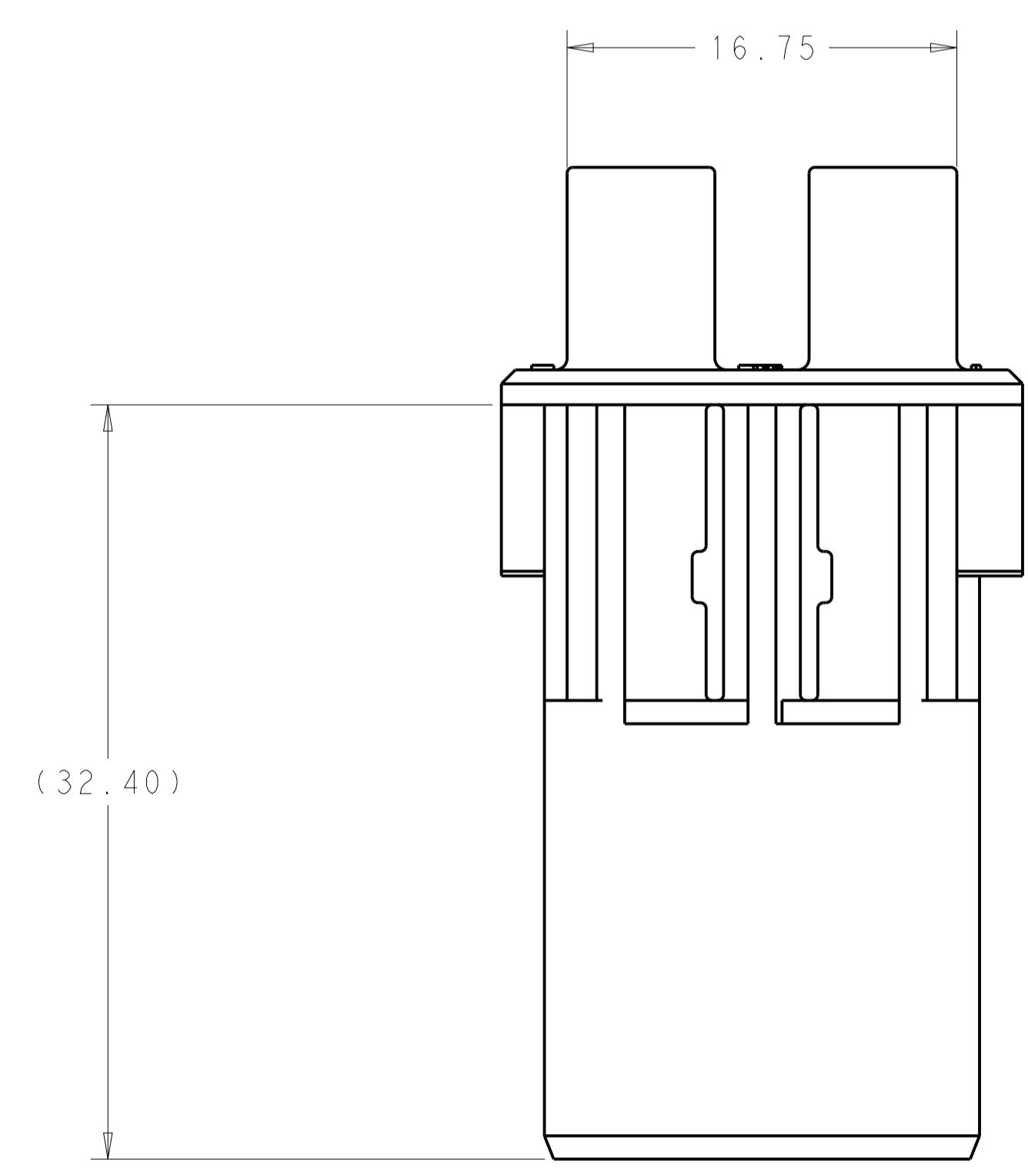
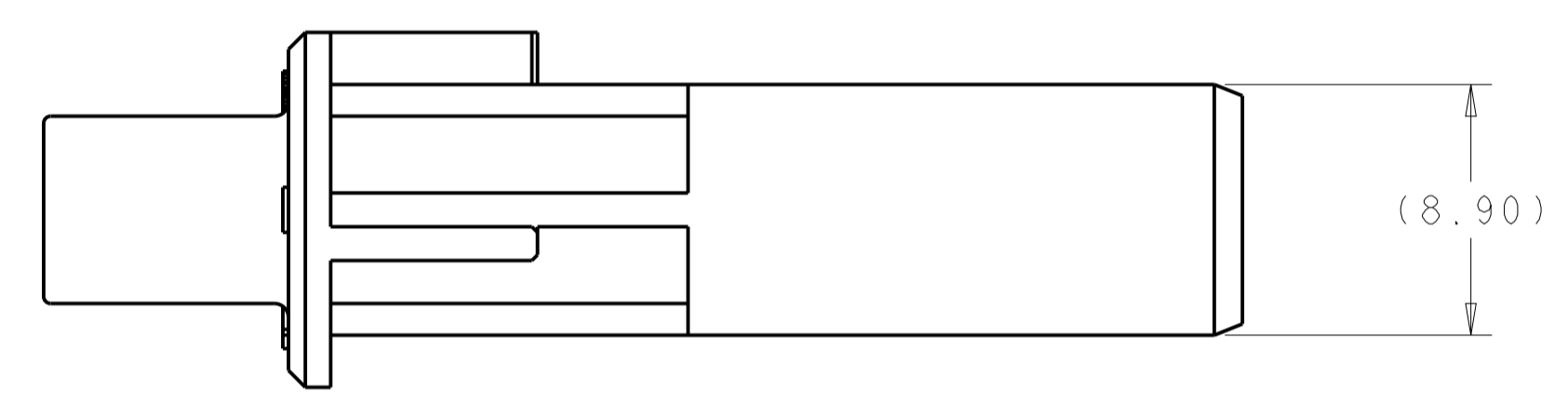
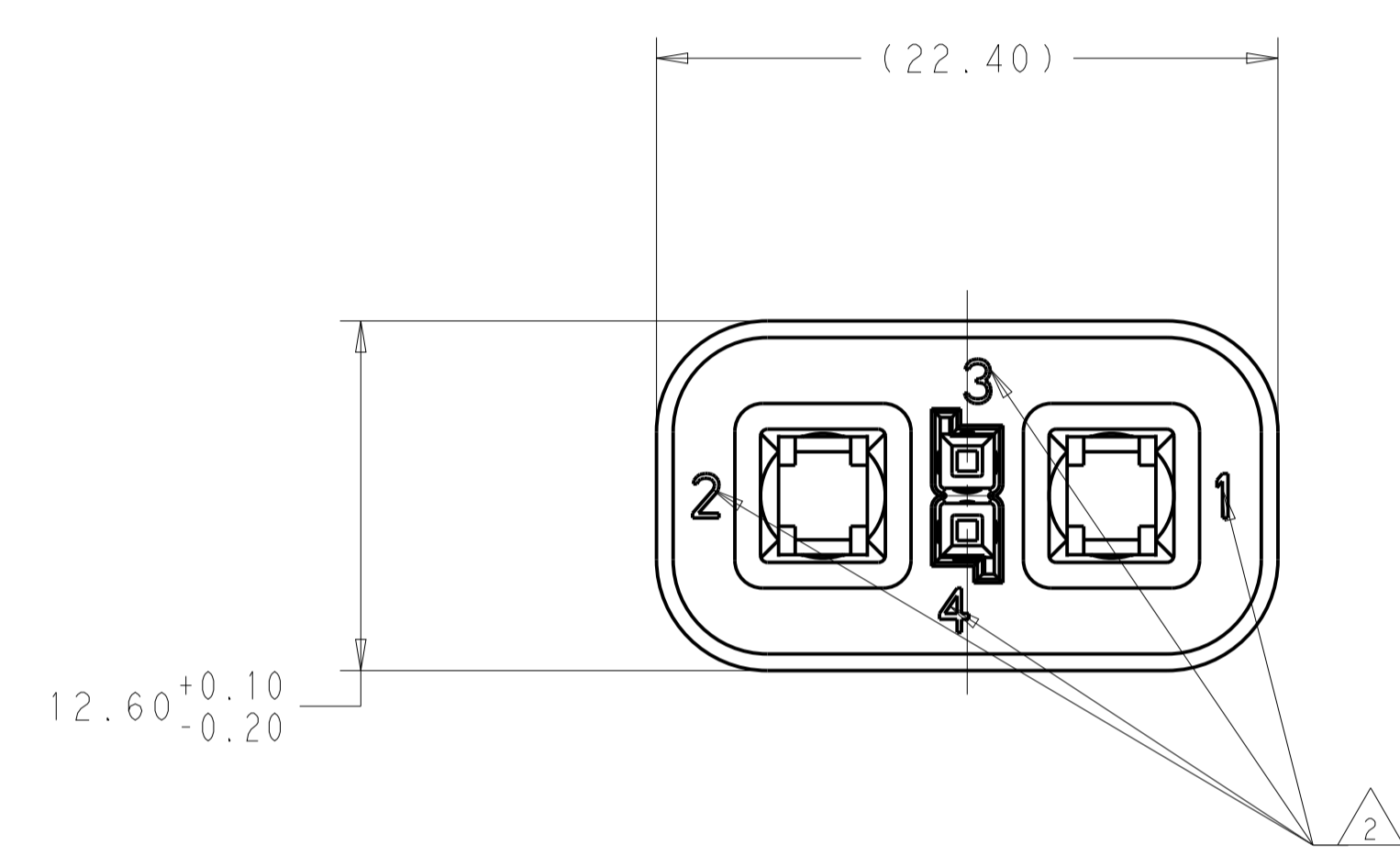
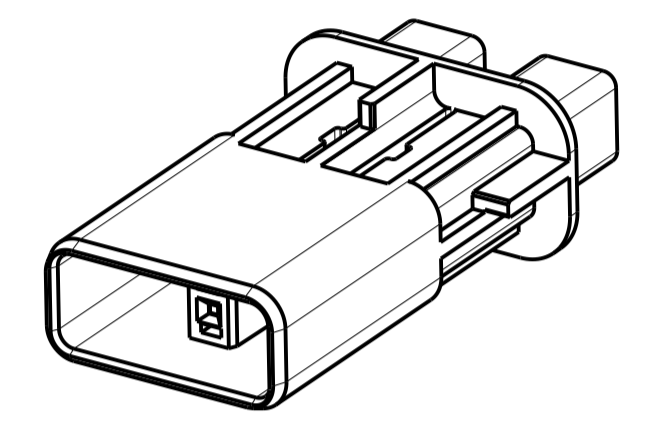


REVISIONS				
P.	LTR.	DESCRIPTION	DATE	APVD
1		INITIAL DRAWING	21MAR2012	AD AD
A		ECO-12-021031	05DEC2012	AD AD
A1		ECO-14-006553	02MAY2014	AD AD



ISOMETRIC VIEWS
SCALE 2:1



⚠ MATERIAL:
TYPE: PA66 33%GF
COLOR: ORANGE

⚠ CIRCUIT ID

INNER HOUSING - KEY F	2103245-6
INNER HOUSING - KEY E	2103245-5
INNER HOUSING - KEY D	2103245-4
INNER HOUSING - KEY B	2103245-2
INNER HOUSING - KEY A	2103245-1
DESCRIPTION	P/N

THIS DRAWING IS A CONTROLLED DOCUMENT.		OWN: A DEHAZAL 21MAR2012	TE Connectivity
		CHK: A DEHAZAL 21MAR2012	
DIMENSIONS:	TOLERANCES UNLESS OTHERWISE SPECIFIED:	APVD: -	NAME: INNER HOUSING, SPLIT HEADER
mm	0 PLC ±0.15	PRODUCT SPEC: -	HVA280 2P
	1 PLC ±0.1	APPLICATION SPEC: -	SIZE: CAGE CODE DRAWING NO: A100779
	2 PLC ±0.05	WEIGHT: -	RESTRICTED TO: -
	3 PLC ±0.05	CUSTOMER DRAWING	SCALE: 4:1 SHEET 1 OF 1 REV: A1
	4 PLC ±0.05		
	ANGLES ±1°		
MATERIAL:	FINISH: -		

Mouser Electronics

Authorized Distributor

Click to View Pricing, Inventory, Delivery & Lifecycle Information:

[TE Connectivity:](#)

[2103245-4](#)