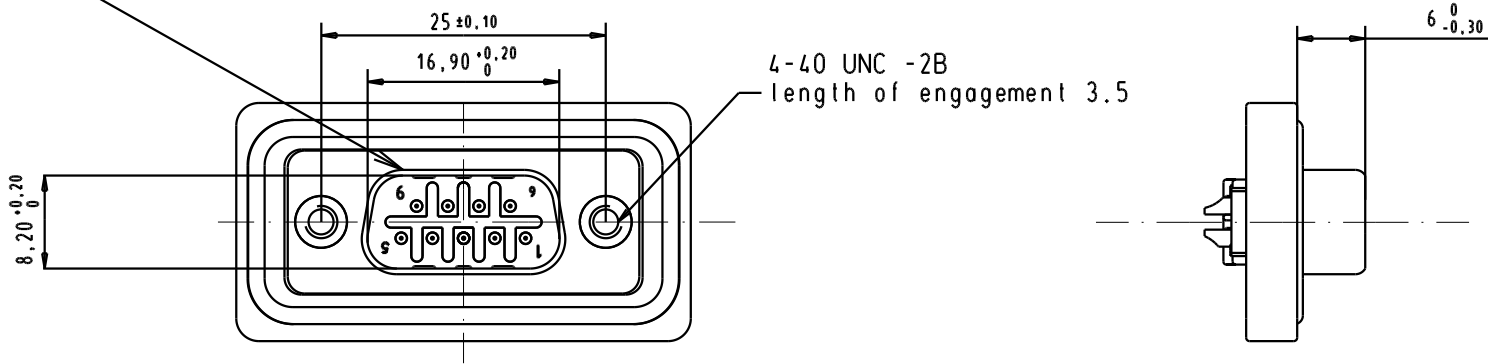
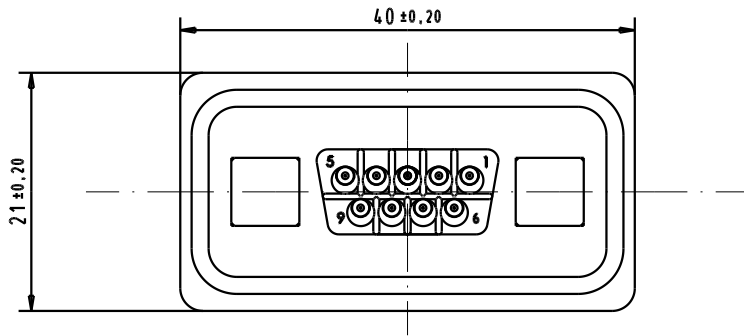
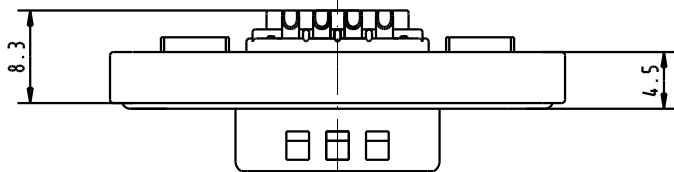


Mating face according to : MIL-C-24308 / DIN 41652 / CECC 75.01-802

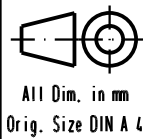


- 1) Protection standard IP 67 according to IEC 529 / DIN 40050.
- 2) Cable: AWG 20 max



09 67 509 7615 Au plating 0,76 µm mini

	Dat.	Name
Detail.	10/10/03	S.H.
Insp.		
Stand.		



D-SUB IP67 male 9 Poles  
straight solder cup with  
4-40 UNC nut

Maßstab/  
Scale

31559	10/10/03	S.H.
Mod.	Dat.	Name

HARTING ELEKTRONIK  
F-95972 Paris



TB 09 67 509 7615

Blatt/ Page

Sub.

Part Number

Performance Level

A

B

C

D

# Mouser Electronics

Authorized Distributor

Click to View Pricing, Inventory, Delivery & Lifecycle Information:

[HARTING:](#)

[09675097615](#)