

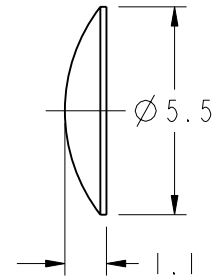
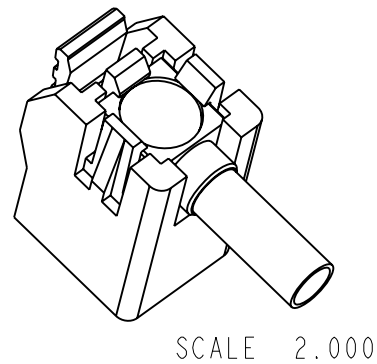
NOTES:

1. MATERIALS AND FINISHES(IN MICRO-INCHES)
 - BODY = BRASS, NICKEL PL. 100 MIN.THICK OVER COPPER STRIKE
 - CONTACT PIN= BERYLLIUM COPPER, GOLD PL. 30 MIN. THICK OVER NICKEL PL. 100 MIN. THICK OVER COPPER STRIKE
 - LOCK COVER = NYLON66 (WITH 30% GLASS FIBER), COLOR:REFER TO TABLE BELOW FOR KEY CODE
 - INSULATOR = PTFE PER, NATURAL
 - FERRULE = COPPER, NICKEL PL. 100 MIN. THICK OVER COPPER STRIKE
 - BARREL = BRASS, NICKEL PL. 100 MIN.THICK OVER COPPER STRIKE
2. ELECTRICAL:
 - A. IMPEDANCE: 50 OHM (NOMINAL)
 - B. FREQUENCY RANGE: DC - 6 GHz, (OPTIMIZED FOR DC-4GHz)
 - C. VSWR(RETURN LOSS): 1.4 (-15.6 dB), MAX.(DC-2GHz)
(MATED PAIR) 1.5 (-13.9 dB), MAX.(2-3GHz)
 - D. DIELECTRIC WITHSTANDING VOLTAGE: 800 VRMS, MIN.
3. MECHANICAL:
 - A. DURABILITY: 100 CYCLES MIN.
 - B. TEMPERATURE RANGE: -40° C TO 100° C
4. PACKAGING:
 - A. QUANTITY: TRAY PACK
 - B. MARKING: TRAY TO BE MARKED
"AMPHENOL,FAI-NXRJ-C01-0,
AND DATE CODE"
5. CRIMPED FERRULE:
 - HEX. CRIMP SIZE .128"
6. CONTACT PIN TO SOLDER

CONFIGURATION CONTROL:
NO CHANGES PERMITTED TO DRAWING WITHOUT
PPAP QUALIFIED CUSTOMER APPROVAL

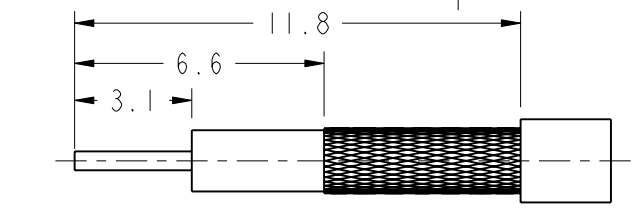
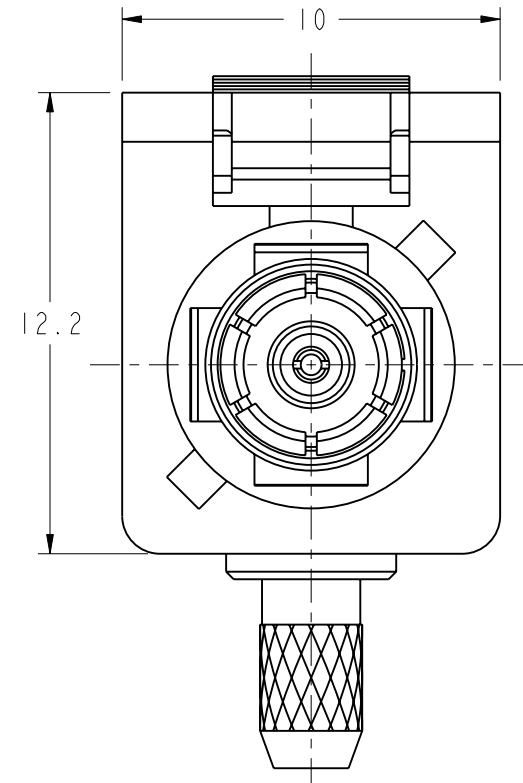
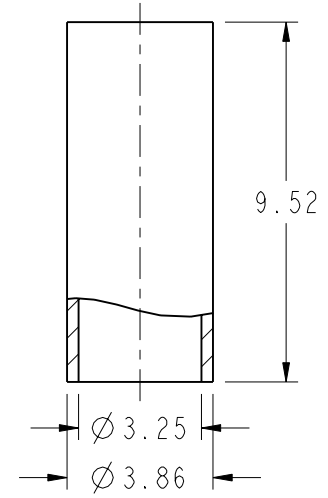
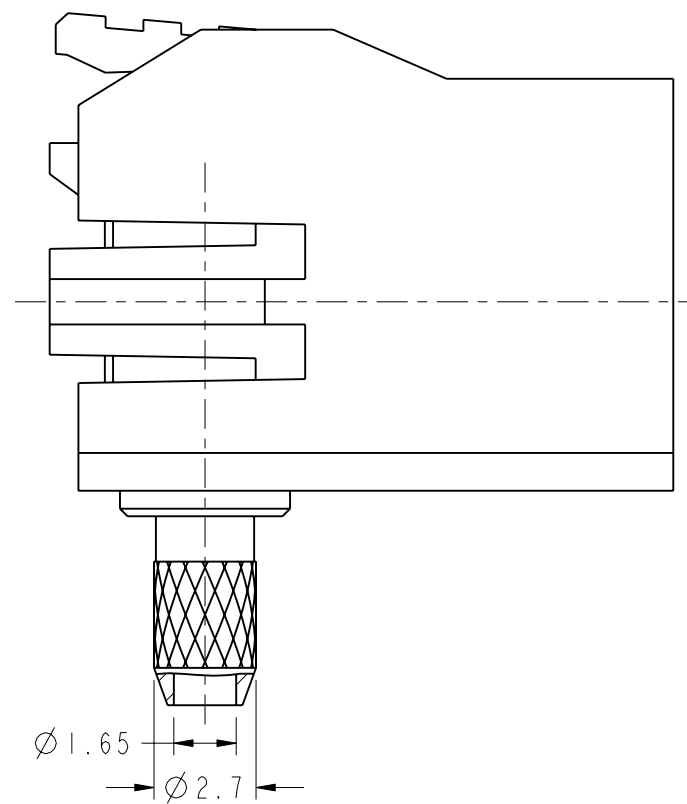
TABLE

CODING	PART NO.	DRAWING NO.	COLOR	RAL NO.
A	FAI-NARJ-C01-0	FK6112AW-007-NT30G-50	JET BLACK	9005
B	FAI-NBRJ-C01-0	FK6112BW-007-NT30G-50	CREAM	9001
C	FAI-NCRJ-C01-0	FK6112CW-007-NT30G-50	SIGNAL BLUE	5005
D	FAI-NDRJ-C01-0	FK6112DW-007-NT30G-50	CLARET VIOLET	4004
E	FAI-NERJ-C01-0	FK6112EW-007-NT30G-50	LEAF GREEN	6002
F	FAI-NFRJ-C01-0	FK6112FW-007-NT30G-50	NUT BROWN	8011
G	FAI-NGRJ-C01-0	FK6112GW-007-NT30G-50	BLUE GREY	7031
H	FAI-NHRJ-C01-0	FK6112HW-007-NT30G-50	HEATHER VIOLET	4003
I	FAI-NIRJ-C01-0	FK6112IW-007-NT30G-50	BEIGE	1001
K	FAI-NKRJ-C01-0	FK6112KW-007-NT30G-50	CURRY	1027
L	FAI-NLRJ-C01-0	FK6112LW-007-NT30G-50	CARMINE RED	3002
M	FAI-NMRJ-C01-0	FK6112MW-007-NT30G-50	PASTEL ORANGE	2003
N	FAI-NNRJ-C01-0	FK6112NW-007-NT30G-50	PASTEL GREEN	6019
Z	FAI-NZRJ-C01-0	FK6112ZW-007-NT30G-50	WATER BLUE	5021

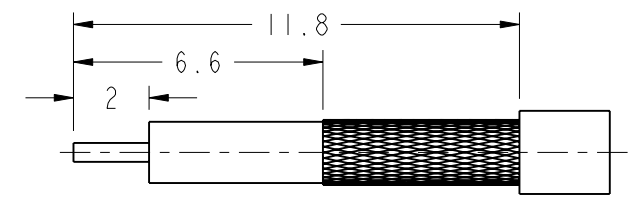


THIRD ANGLE PROJ.

		REVISIONS		
REV	DESCRIPTION	DATE	ECO	APPR
G	ADDED L M N KEY CODING	27-Sep-07	----	ANGELA
H	LOCK COVER MATERIAL WAS CHANGED	02-May-08	----	SCOTT
J	ADDED COD DRAWING AND PPAP REQUIREMENT	18-Aug-09	----	SCOTT



RECOMMENDED
CABLE STRIPPING DIM'S 1



RECOMMENDED
CABLE STRIPPING DIM'S 2

CUSTOMER OUTLINE DRAWING
ALL OTHER SHEETS ARE FOR INTERNAL USE ONLY

UNLESS OTHERWISE SPECIFIED, DIMENSIONS ARE IN METRIC AND TOLERANCES ARE: 0.5 - 6mm ±0.1mm 6 - 30mm ±0.2mm 30 - 120mm ±0.3mm ANGLES ±1° NOTICE - These drawings, specifications, or other data (1) are, and remain the property of Amphenol corp. (2) must be returned upon request; and (3) are confidential and not to be disclosed to any person other than those to whom they are given by Amphenol Corp. the furnishing of these drawings, specifications, or other data by Amphenol Corp., or to any other person for any purpose is not to be regarded by implication or otherwise in any manner licensing, granting rights to permitting such holder or any other person to manufacture, use or sell any product, process or design, patented or otherwise, that may in any way be related to or disclosed by said drawings, specifications, or other data.	MATERIAL	DRAWN EDWARD	DATE 15-May-09	TITLE FAKRA R/A JACK (FOR RG-174/U, 188A/U, 316/U)	Amphenol RF Danbury CT USA, Tainan, Taiwan, Shenzhen, China www.amphenolrf.com		
	REFERENCE	ENGINEER JERRY	DATE 02-May-08				
	FINISH	APPROVED SCOTT	DATE 15-May-09	SCALE: 5.0:1.0	SHEET 2 OF 2	DRAWING NO. FK6112XX-007-NT30G-50	
		CAD FILE I:\FAKRA\FK6112XX-007-NT30G-50			DWG SIZE B	CODE ID 74868	REV J

Mouser Electronics

Authorized Distributor

Click to View Pricing, Inventory, Delivery & Lifecycle Information:

[Amphenol:](#)

[FA1-NARJ-C01-0](#) [FA1-NDRJ-C01-0](#) [FA1-NERJ-C01-0](#) [FA1-NGRJ-C01-0](#) [FA1-NIRJ-C01-0](#) [FA1-NZRJ-C01-0](#)