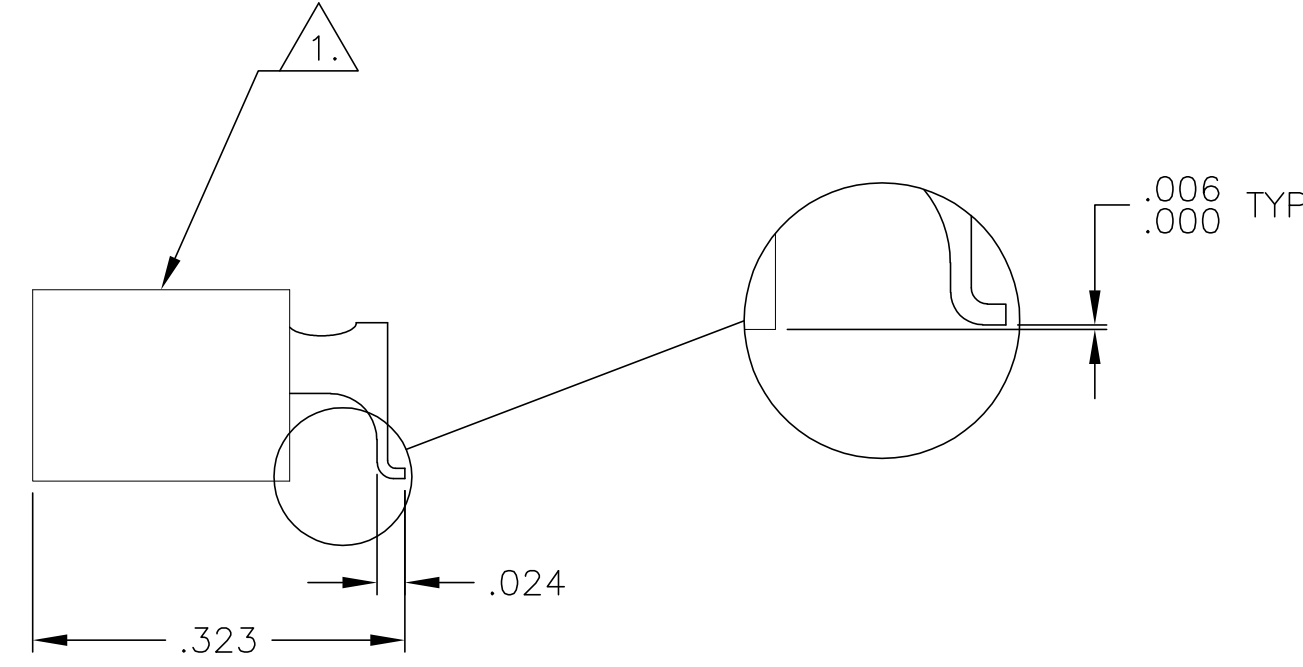
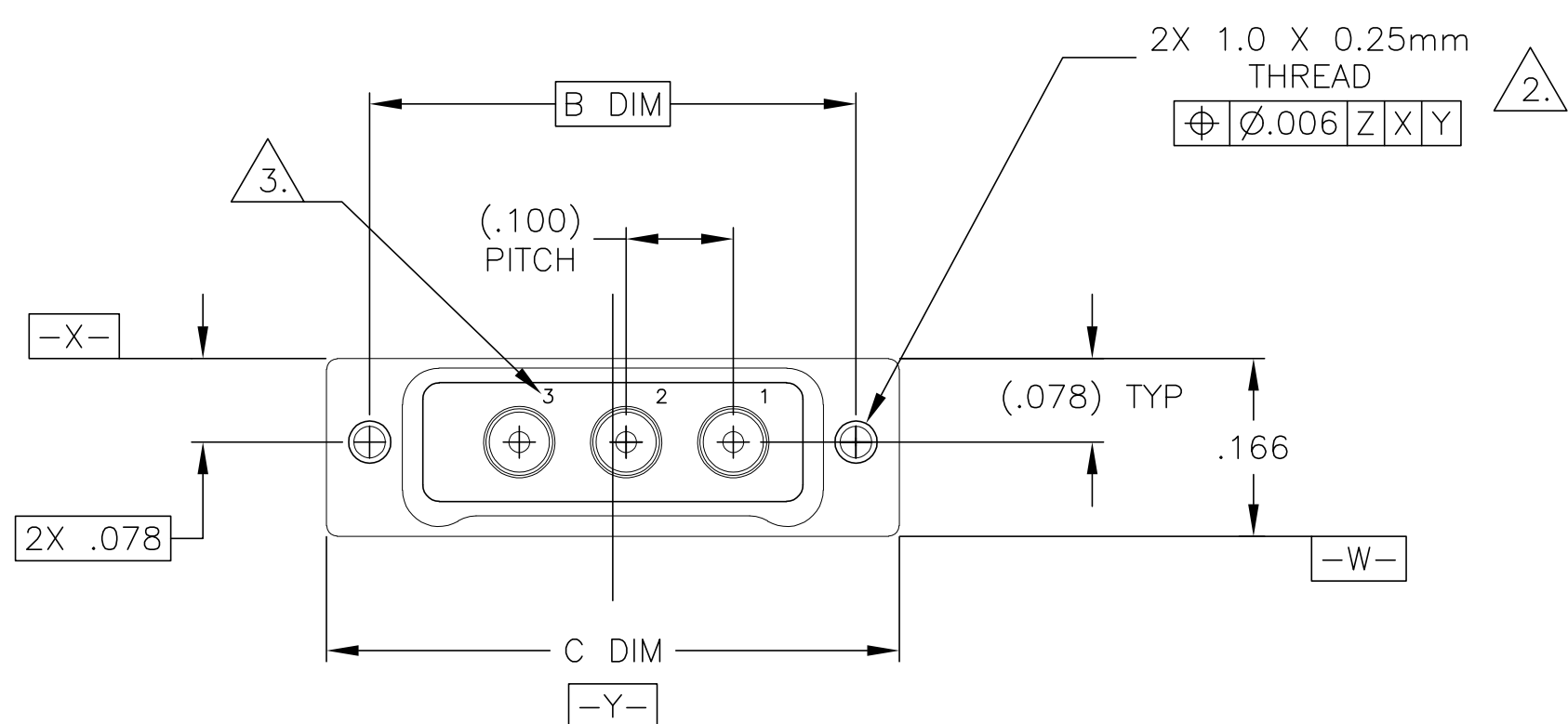
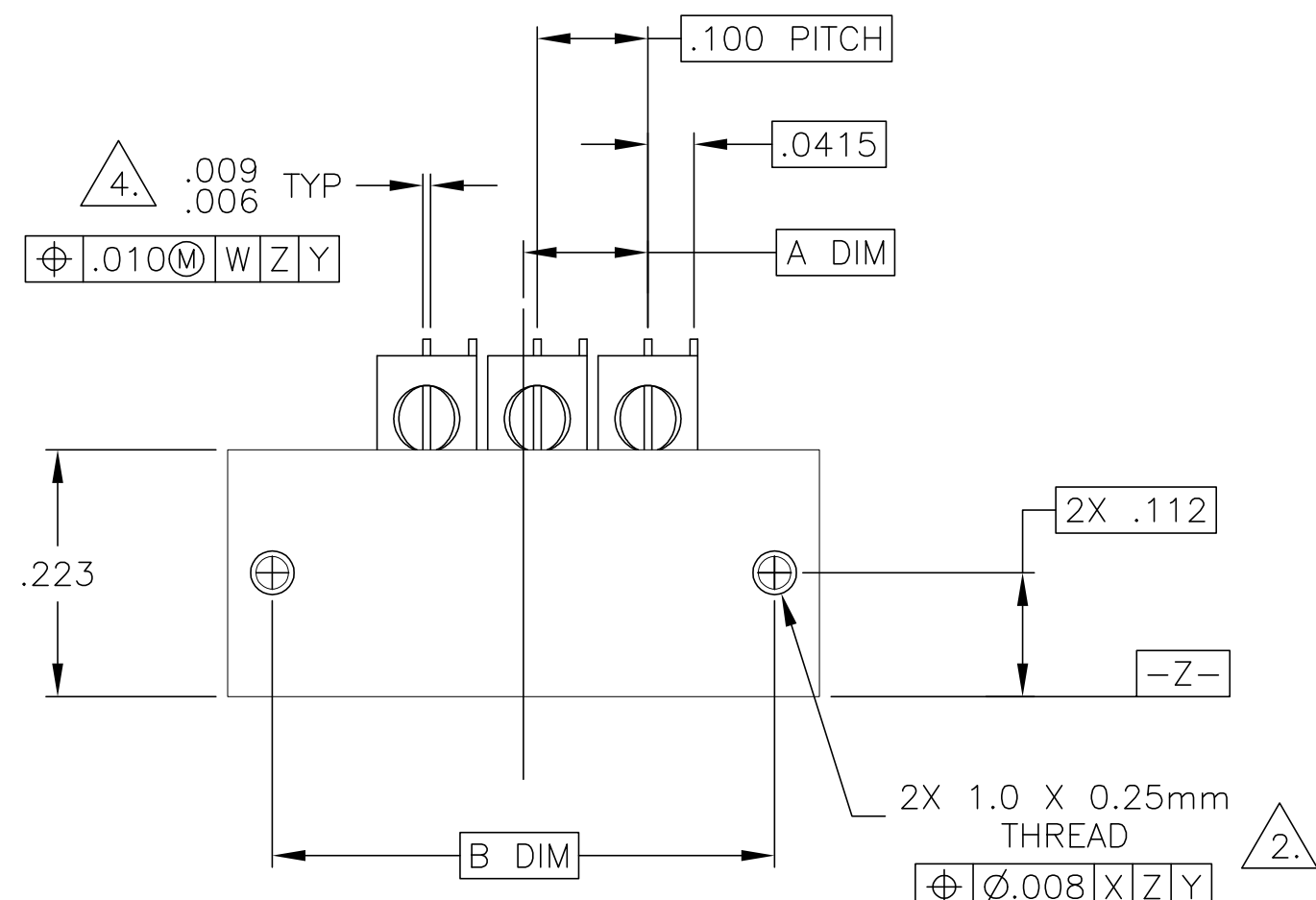


THIS DRAWING IS UNPUBLISHED. RELEASED FOR PUBLICATION
 © COPYRIGHT - By - ALL RIGHTS RESERVED.

LOC		DIST		REVISIONS			
P	LTR	DESCRIPTION	DATE	DWN	APVD		
	H2	REVISED PER ECO-11-005139	21MAR11	RK	HMR		

No. COAX POSITIONS	A DIM	B DIM	C DIM
1	.0125	.254	.335
2	.0625	.354	.435
3	.1125	.454	.535
4	.1625	.554	.635
5	.2125	.654	.735
6	.2625	.754	.835
7	.3125	.854	.935
8	.3625	.954	1.035
9	.4125	1.054	1.135



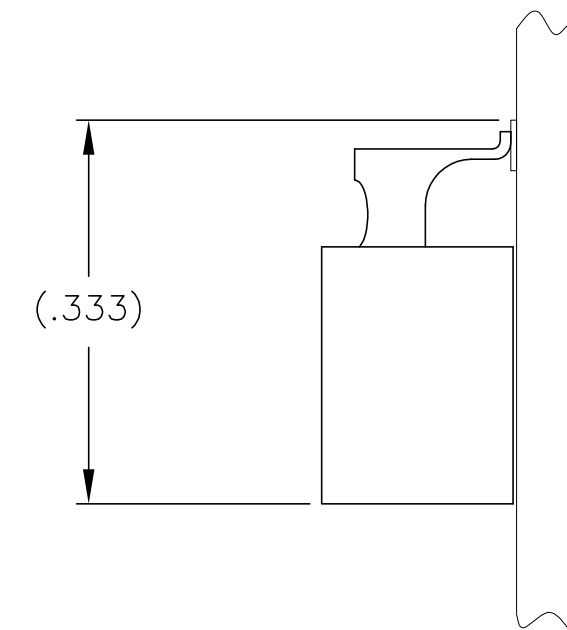
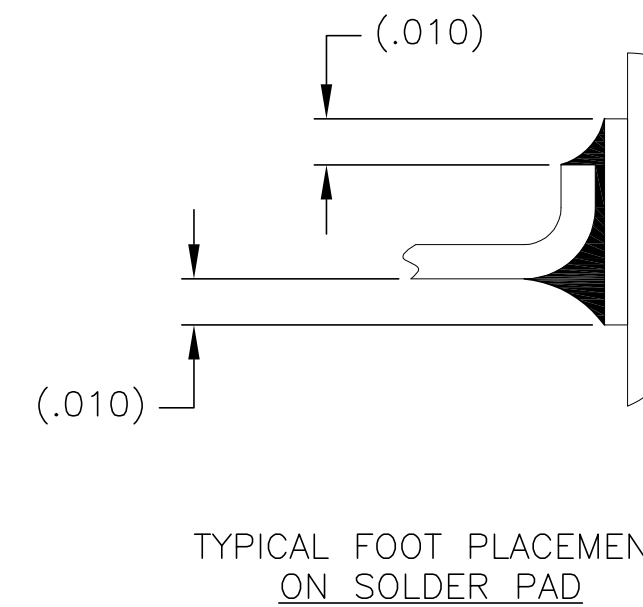
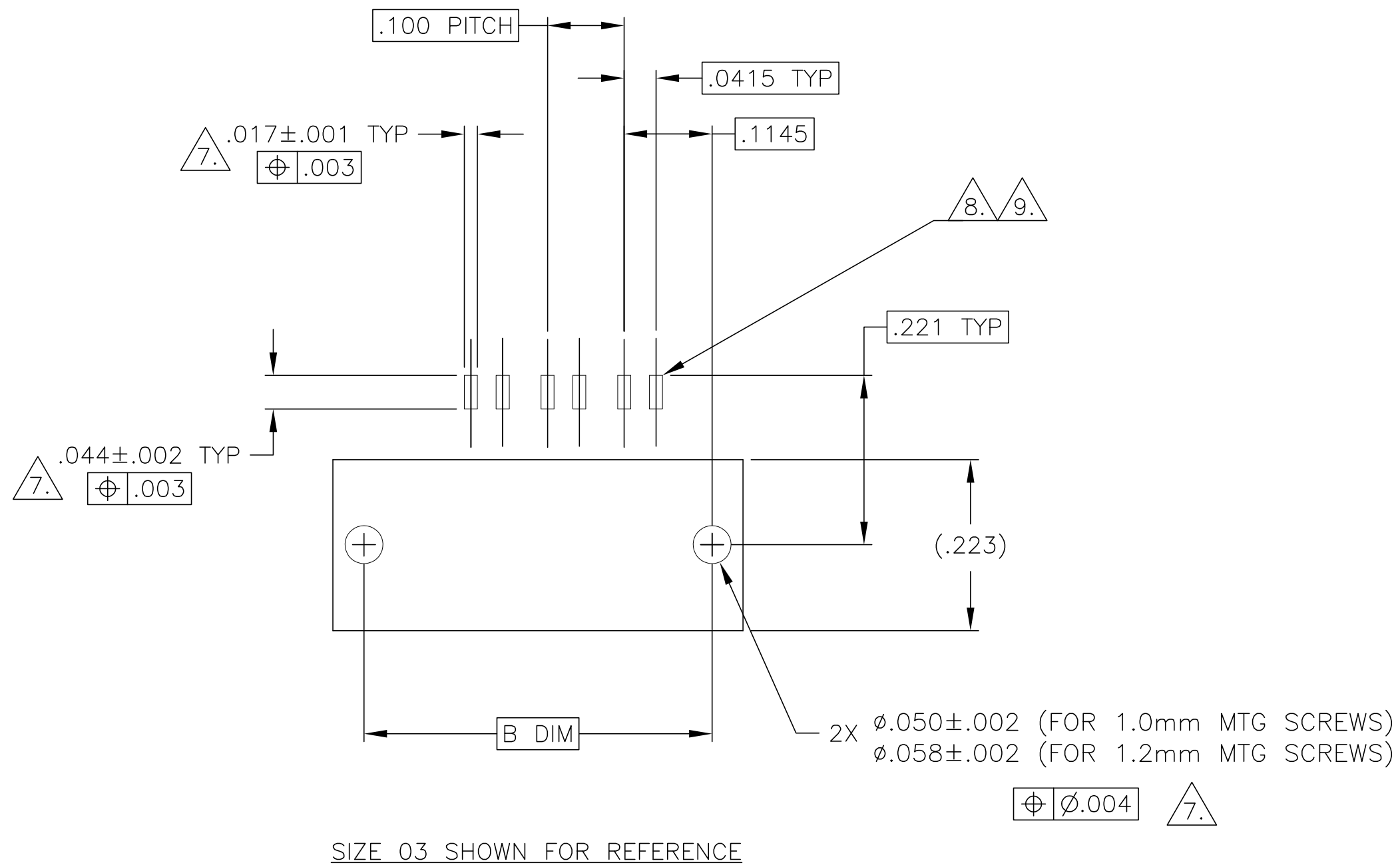
- 1. SHELL MATERIAL: 6061-T6 ALUMINUM, ELECTROLESS NICKEL PLATED PER SAE-AMS-C-26074
INSULATOR MATERIAL: LIQUID CRYSTAL POLYMER (LCP) PER MIL-M-24519 OR PER ASTM D 5138
- 2. STANDARD 1.0 X 0.25mm MOUNTING AND JACKSCREW THREADS ARE SHOWN FOR REFERENCE ONLY AND MUST BE SPECIFIED IN THE NANONICS PART NUMBER WHEN REQUIRED. 1.2 X 0.25mm THREADS ALSO AVAILABLE
- 3. CONTACT NUMBERS ARE FOR REFERENCE ONLY AND ARE NOT MARKED ON THE PART
- 4. LEAD MATERIAL: HH BRASS, TIN LEAD PLATED 60/40 COMPOSITION PER SAE-AMS-P-81728
- 5. MOUNTING HARDWARE IS AVAILABLE WITH THIS CONFIGURATION (NOT SHOWN). HARDWARE MUST BE SPECIFIED IN THE NANONICS PART NUMBER. CONSULT TE CONNECTIVITY FOR DETAILS
- 6. THIS DRAWING PREVIOUSLY IDENTIFIED AS NANONICS 303-0052.

THIS DRAWING IS A CONTROLLED DOCUMENT.		DWN D. RYAN 1 SEP 99	TE Connectivity	
DIMENSIONS: INCHES		CHK E. PAULUS 1 OCT 99		
TOLERANCES UNLESS OTHERWISE SPECIFIED:		APVD -	NAME	
0 PLC ± - 1 PLC ± - 2 PLC ± .010 3 PLC ± .005 4 PLC ± - ANGLES ± 1°		PRODUCT SPEC -	RECEPTACLE ASSEMBLY, HORIZONTAL SMT, 1-9 COAX ONLY, 50 OHM, METAL	
MATERIAL SEE NOTES		FINISH SEE NOTES	WEIGHT -	RESTRICTED TO -
CUSTOMER DRAWING		SCALE 6:1	SIZE A2	CAGE CODE 00779
		DRAWING NO C=1589072	DRAWING NO 1589072	
		SHEET 1 of 2	REV H2	

1589072

THIS DRAWING IS UNPUBLISHED. RELEASED FOR PUBLICATION
 © COPYRIGHT - By - ALL RIGHTS RESERVED.

LOC		DIST		REVISIONS			
P	LTR	DESCRIPTION	DATE	DWN	APVD		
-	-	SEE SHEET 1	-	-	-		



TYPICAL PCB LAYOUT

- POSITIONAL TOLERANCES FOR BASIC DIMENSIONED FEATURES ARE RELATIVE TO FIDUCIALS OR SOME SIMILAR DATUM REFERENCES DEFINED BY PCB DESIGNER.
- SOLDER PADS.
- TWO SOLDER PADS ARE REQUIRED FOR EACH COAX CONTACT.

THIS DRAWING IS A CONTROLLED DOCUMENT.		DWN D. RYAN 1 SEP 99	TE Connectivity	
DIMENSIONS: INCHES		CHK E. PAULUS 1 OCT 99		
TOLERANCES UNLESS OTHERWISE SPECIFIED:		APVD -	NAME	
0 PLC ± -		PRODUCT SPEC	RECEPTACLE ASSEMBLY, HORIZONTAL SMT, 1-9 COAX ONLY, 50 OHM, METAL	
1 PLC ± -		APPLICATION SPEC	SIZE	CAGE CODE
2 PLC ± .010		WEIGHT	A2	00779
3 PLC ± .005		CUSTOMER DRAWING	DRAWING NO C=1589072	
4 PLC ± -		SCALE	6:1	SHEET
ANGLES ± 1°		RESTRICTED TO	-	
MATERIAL	FINISH	SCALE 6:1 SHEET 2 OF 2 REV H2		

Mouser Electronics

Authorized Distributor

Click to View Pricing, Inventory, Delivery & Lifecycle Information:

TE Connectivity:

[CX030L2AQ](#) [CX065PC2RC012Q](#) [CX020PC2RG012N](#) [CX020SC2RG024N](#) [CX080PC2RGC40N](#)
[CX040SC2RG012N](#) [CX030PC2RGM03N](#) [CX055PC2RCM02N](#) [CX060SC2RG012Q](#) [CX050PC2RG018Q](#)
[CX050SC2RGM01Q](#) [CX020PC2RG036N](#) [CX055SC2RCM02N](#) [CX020PC2RG030N](#) [CX080SC2RG024N](#)
[CX050PC2RGM02N](#) [CX050L2AQ](#) [CX050L23Q](#) [CX090SC2RG036N](#) [CX030L23N](#) [CX025PC2RC018N](#)
[CX030SC2RG020Q](#) [CX020SC2RG012N](#) [CX090SC2RG030Q](#) [CX090L2HN](#) [CX020L2AQ](#) [CX040PC2RG020M](#)
[CX020PC2RG072Q](#) [CX030SC2RG060N](#) [CX040SC2RG020N](#) [CX030L2RQ](#) [CX050L2RQ](#) [CX030SC2RG012](#)