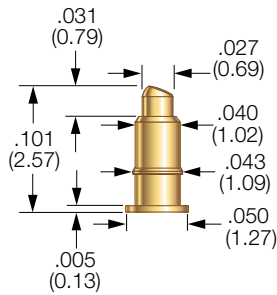
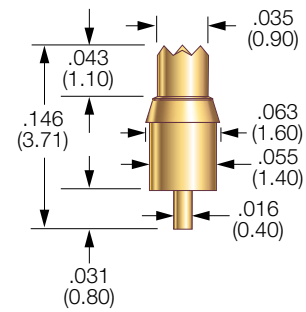


Battery and Connector Probes

101582 P ROBE



101438 P ROBE



PROBE SPECIFICATIONS

Minimum Centers: .070 (1.78)
 .050 (1.27) staggered rows
Current Rating: 9 amps continuous
 (Individual probe in free air @ ambient temperature)
Spring Force: 1.7 oz. (48g) @ .030 (0.76) travel
Typical Resistance: < 10 mΩ
Maximum Travel: .030 (0.76)
Working Travel: .030 (0.76)

MATERIALS

Barrel: Brass, gold plated
Spring: Stainless steel
Plungers: Beryllium copper, gold plated

PROBE SPECIFICATIONS

Minimum Centers: .080 (2.03)
Current Rating: 1 amp continuous
 (Individual probe in free air @ ambient temperature)
Spring Force: 3.5 oz. (99g) @ .020 (0.51) travel
Typical Resistance: < 10 mΩ
Maximum Travel: .039 (0.99)
Working Travel: .020 (0.51)

MATERIALS

Barrel: Brass, gold plated
Spring: Stainless steel, gold plated
Plunger: Beryllium copper, gold plated

HOW TO ORDER

101582-000

HOW TO ORDER

101438-000

Specifications subject to change without notice. Dimensions in inches (millimeters)

Mouser Electronics

Authorized Distributor

Click to View Pricing, Inventory, Delivery & Lifecycle Information:

[Smiths Interconnect:](#)

[101438-000](#) [101582-000](#)