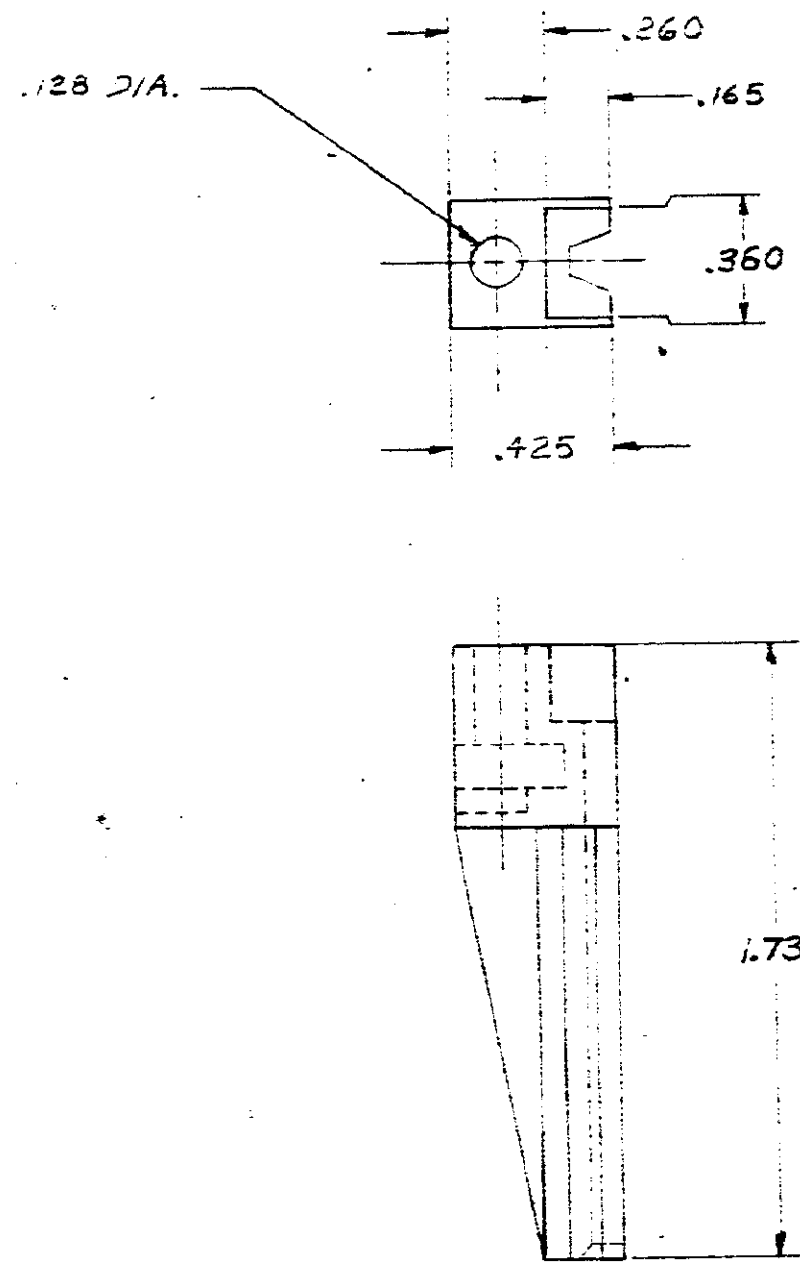


© 1969 BY AMP INCORPORATED. ALL RIGHTS RESERVED. AMP PRODUCTS COVERED BY PATENTS AND/OR PATENTS PENDING.

REVISIONS			
REV.	DESCRIPTION	DATE	APPROVED
O	REL. PER NPS 9-14252-1 E-2	6-19-69	EMS
A	REVISED PER ECN TP-1432	PRJ 12-4-69	
E	REVISED PER ECN TP-544	PRJ 2-9-70	PRJ
C	.62 WAC .59 TPC-1590	PRJ 2-18-70	



#5-40 SCREW
(LENGTH = PANEL THK + .62)

PANEL

CONNECTOR

SMALL PATTERN HEX NUT

CARD GUIDE

RECORD PRINT
RETURN TO FILE

BLUE	67764-2
BLACK	67764-1
COLOR	PART NO.

NOTE: ALL DIMENSIONS REFERENCE

UNLESS OTHERWISE SPECIFIED DIM. ARE IN INCHES. TOLERANCES ON: DECIMALS ± .010 ANGLES ±	CONTRACT NO.	AMP	AMP INCORPORATED HARRISBURG, PENNSYLVANIA		
	MATERIAL: GLASS-FILLED NYLON		OR <i>Robert L. Lab 4/22/69</i>	NAME CARD GUIDE, END	
AMP INFO LOC PRINT DIST AD 251 C	HEAT TREAT H	CHK <i>E. L. Smith 6/19/69</i>	SIZE B	CODE IDENT NO. 00779	NUMBER 67764
	FINISH H	APPD <i>E. L. Smith 6/19/69</i>	SCALE 2:1	WT	CALC ACTUAL SHEET 1 OF 2

© 1969 BY AMP INCORPORATED. ALL RIGHTS RESERVED. AMP PRODUCTS COVERED BY PATENTS AND/OR PATENTS PENDING.

REVISIONS			
LTR	DESCRIPTION	DATE	APPROVED
0	Released Per NPS 9-14252	6-23-69	
A	Revised & Redrawn Per BGN TP-1432 See next page for Revisions	12-17-69	

These Card Guides are recommended for use with the TERMI-TWIST Connectors listed below

BLACK
67764-1

- 67031-7
- 67031-9
- 1-67031-3
- 1-67031-4
- 1-67031-5
- 1-67031-7
- 1-67031-8
- 2-67031-2
- 2-67031-4
- 2-67031-6
- 2-67031-7
- 2-67031-8
- 3-67031-1
- 3-67031-2
- 3-67031-3
- 3-67031-6
- 3-67031-8
- 3-67031-9
- 4-67031-1
- 4-67031-2
- 67040-1
- 67040-2
- 67040-4
- 67040-5
- 67040-6
- 67040-8
- 67686-1
- 67747-2

BLUE
67764-2

- 67031-2
- 67031-3
- 67031-5
- 67031-6
- 1-67031-0
- 1-67031-1
- 1-67031-9
- 2-67031-5
- 3-67031-4
- 4-67031-0
- 4-67031-4
- 67040
- 67040-3
- 67040-9
- 1-67040-1
- 1-67040-2
- 67077-1
- 67747-1

RECORD PRINT
RETURN TO FILE

UNLESS OTHERWISE SPECIFIED DIMENSIONS ARE IN INCHES
TOLERANCES ON:
DECIMALS ± .005
ANGLES ± .5°

CONTRACT NO.
DR. *F. Smith* 12-17-69
CHK
APPD
REL
DSGN APPD
OTHER APPD



AMP INCORPORATED
HARRISBURG, PENNSYLVANIA

NAME
CARD GUIDE - END

SIZE A	CODE IDENT NO. 00779	NUMBER 67764
SCALE <i>1/8"</i>	SHEET 2 of 2	

Mouser Electronics

Authorized Distributor

Click to View Pricing, Inventory, Delivery & Lifecycle Information:

[TE Connectivity:](#)

[67764-1](#)