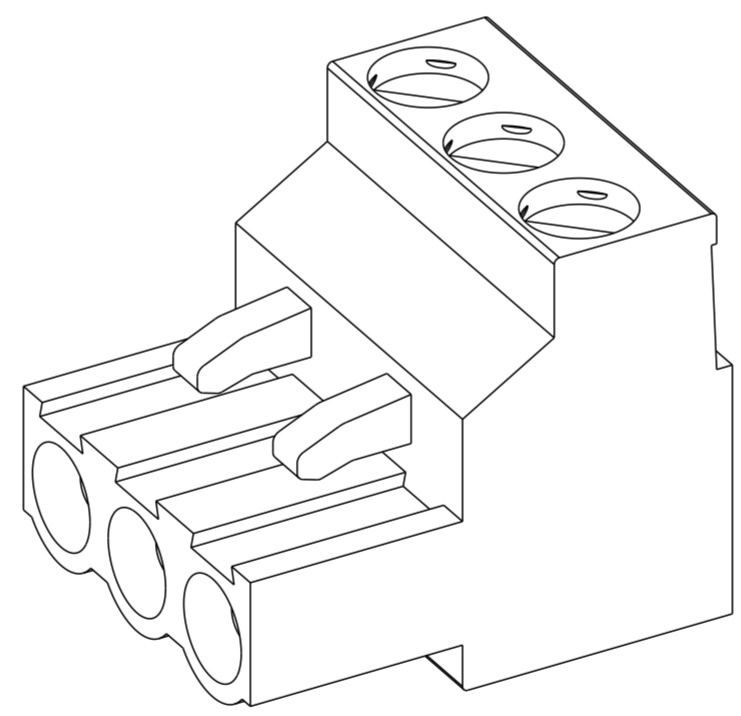
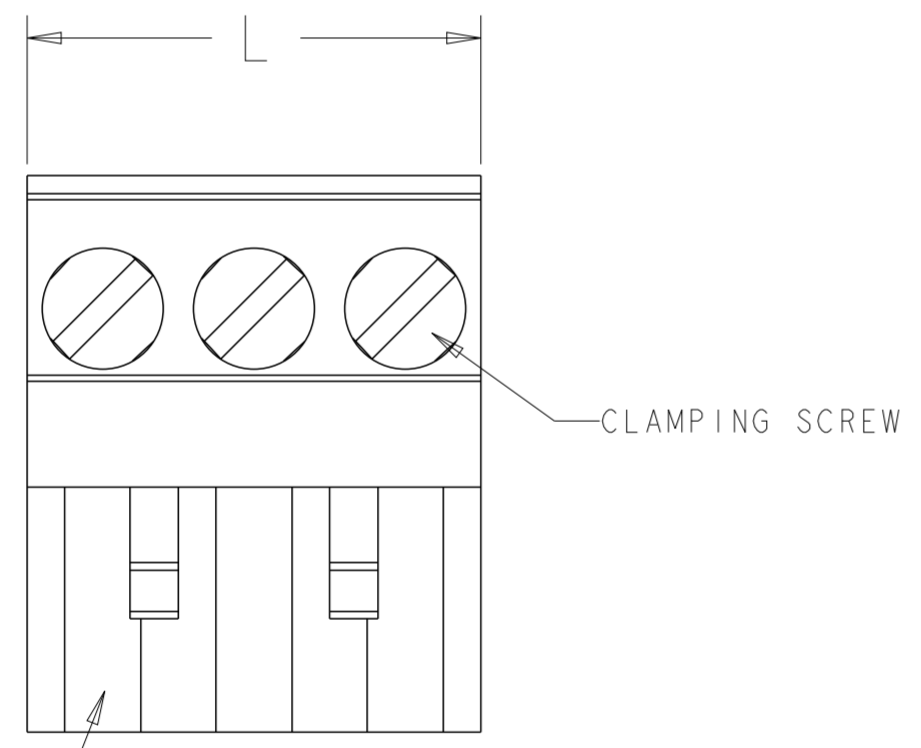
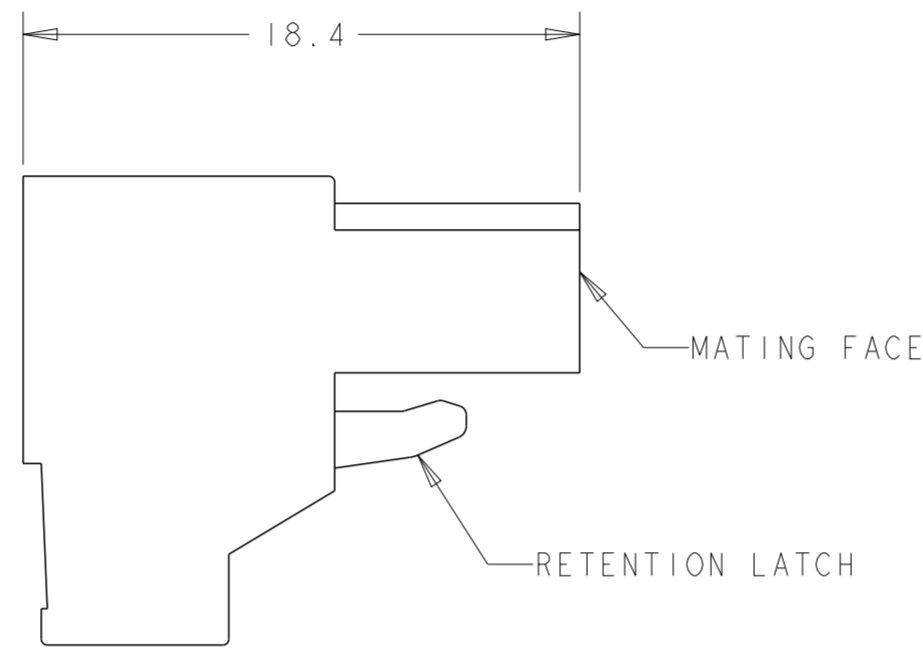
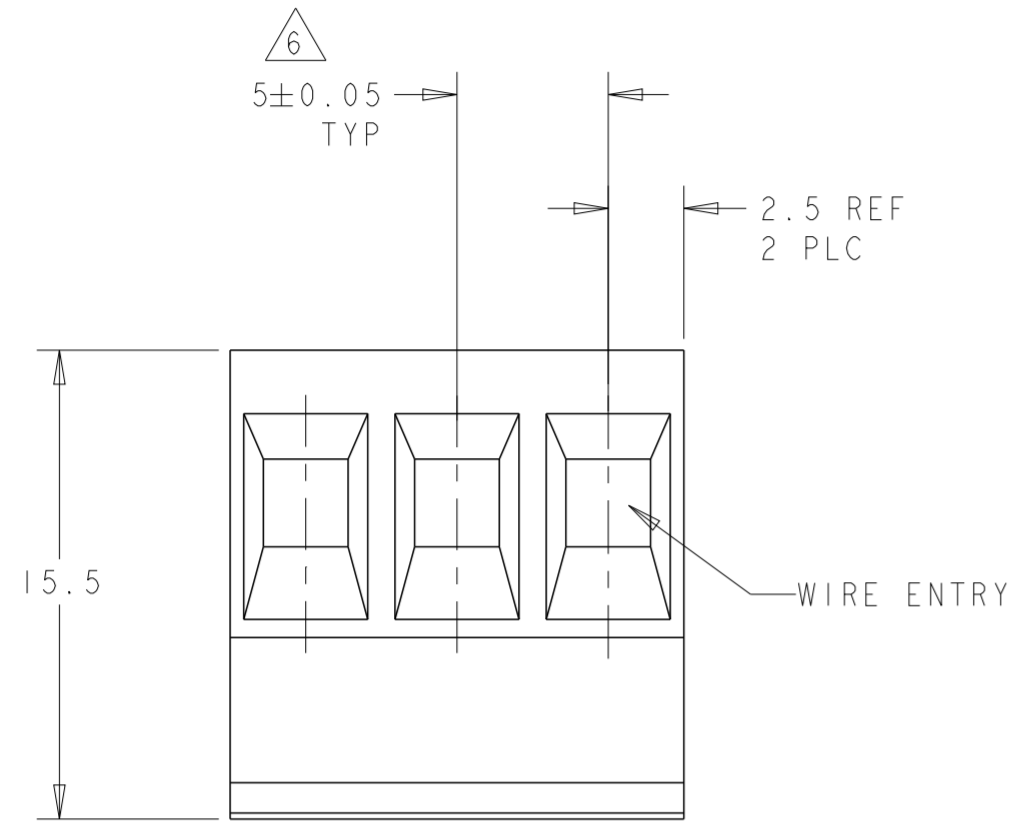


THIS DRAWING IS UNPUBLISHED. RELEASED FOR PUBLICATION 20  
 © COPYRIGHT 20 BY - ALL RIGHTS RESERVED.

LOC		DIST		REVISIONS			
P	LTR	DESCRIPTION		DATE	DWN	APVD	
	F11	REVISED PER ECO-13-007522		03MAY2013	KH	MB	



13	TIN	7	9	MARK 4 TO 1	20.00	4	5-796640-4
13	TIN	7	9	MARK 3 TO 1	15.00	3	5-796640-3
13	TIN	7	9	MARK 1 TO 3	15.00	3	5-796640-2
13	TIN	7	9	MARK 1 TO 3	15.00	3	5-796640-1
13	TIN	7	9	MARK 1 TO 4	20.00	4	5-796640-0
13	TIN	7	9	MARK 15 TO 28	70.00	14	4-796640-9
13	TIN	7	9	MARK 13 TO 24	60.00	12	4-796640-8
13	TIN	7	9	MARK 1 TO 14	70.00	14	4-796640-7
13	TIN	8	9	MARK 1 TO 12	60.00	12	4-796640-6
13	TIN	8	9	MARK 1 TO 7	35.00	7	4-796640-5
13	TIN	8	9	MARK 1 TO 5	25.00	5	4-796640-4
	TIN	8	9	MARK 11 TO 15	25.00	5	4-796640-3
	TIN	-	-	DETAIL S	35.00	7	4-796640-2
	TIN	7	9	MARK 1 TO 3	15.00	3	4-796640-1
	TIN	-	-	DETAIL P	20.00	4	3-796640-9
	TIN	7	9	MARK 1 TO 8	40.00	8	3-796640-8
	TIN	7	9	MARK 37 TO 54	90.00	18	3-796640-7
	TIN	7	9	MARK 19 TO 36	90.00	18	3-796640-6
	TIN	7	9	MARK 1 TO 18	90.00	18	3-796640-5
	TIN	8	9	MARK 1 TO 10	50.00	10	3-796640-4
	TIN	8	9	MARK 1 TO 8	40.00	8	3-796640-3
	TIN	7	-	DETAIL N	30.00	6	3-796640-0
	TIN	7	9	MARK 1 TO 6	30.00	6	2-796640-9
	TIN	-	-	-	125.00	25	2-796640-5
	TIN	-	-	-	120.00	24	2-796640-4
	TIN	-	-	-	115.00	23	2-796640-3
	TIN	-	-	-	110.00	22	2-796640-2
	TIN	-	-	-	105.00	21	2-796640-1
	TIN	-	-	-	100.00	20	2-796640-0
	TIN	-	-	-	95.00	19	1-796640-9
	TIN	-	-	-	90.00	18	1-796640-8
	TIN	-	-	-	85.00	17	1-796640-7
	TIN	-	-	-	80.00	16	1-796640-6
	TIN	-	-	-	75.00	15	1-796640-5
	TIN	-	-	-	70.00	14	1-796640-4
	TIN	-	-	-	65.00	13	1-796640-3
	TIN	-	-	-	60.00	12	1-796640-2
	TIN	-	-	-	55.00	11	1-796640-1
	TIN	-	-	-	50.00	10	1-796640-0
	TIN	-	-	-	45.00	9	796640-9
	TIN	-	-	-	40.00	8	796640-8
	TIN	-	-	-	35.00	7	796640-7
	TIN	-	-	-	30.00	6	796640-6
	TIN	-	-	-	25.00	5	796640-5
	TIN	-	-	-	20.00	4	796640-4
	TIN	-	-	-	15.00	3	796640-3
	TIN	-	-	-	10.00	2	796640-2

TERMINAL PLATING	MARKING	SPECIAL	L	NO OF POSN	PART NUMBER
------------------	---------	---------	---	------------	-------------

THIS DRAWING IS A CONTROLLED DOCUMENT. DWN S. WELDON 18OCT2000  
 CHK D. BIEVENOUR 18OCT2000  
 APVD D. BIEVENOUR 18OCT2000

**STE** TE Connectivity

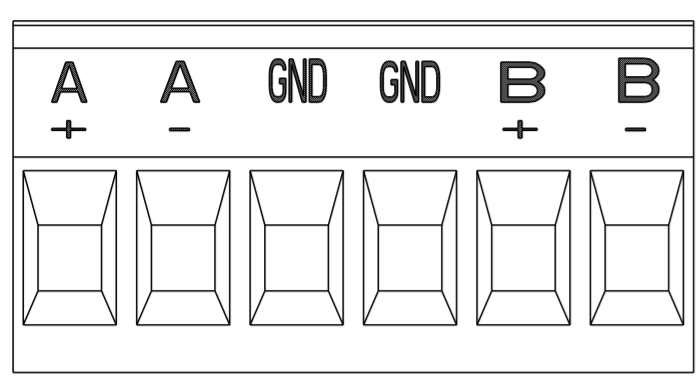
NAME: TERMINAL BLOCK, PLUG, STACKING  
 5.00mm PITCH

SIZE: A2 CAGE CODE: 00779 DRAWING NO: C-796640  
 SCALE: 4:1 SHEET 1 OF 2 REV F11

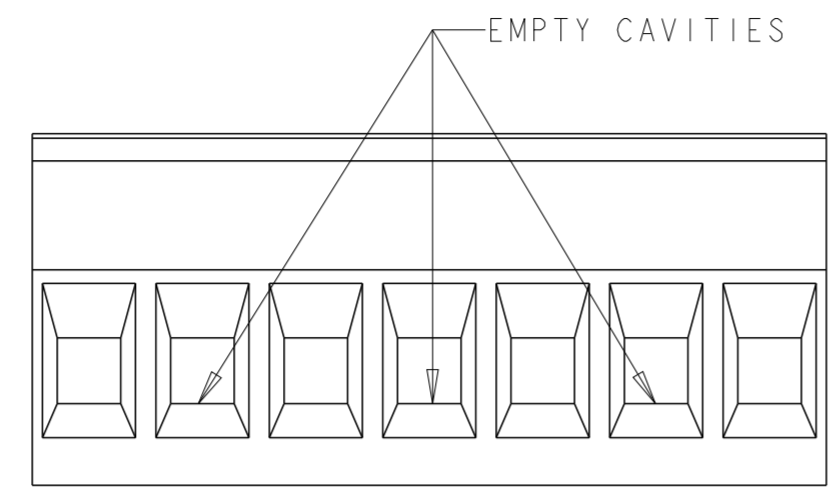
APPLIC. SPEC: -  
 WEIGHT: -  
 MATERIAL: -  
 DIMENSIONS: mm  
 TOLERANCES UNLESS OTHERWISE SPECIFIED:  
 0 PLC ±  
 1 PLC ±0.3  
 2 PLC ±0.25  
 3 PLC ±  
 4 PLC ±  
 ANGLES ±2  
 FINISH: -

THIS DRAWING IS UNPUBLISHED. RELEASED FOR PUBLICATION 20  
 © COPYRIGHT 20 BY - ALL RIGHTS RESERVED.

REVISIONS							
LOC	DIST	P	LTR	DESCRIPTION	DATE	DWN	APVD
-	-	-	-	SEE SHEET 1	-	-	-

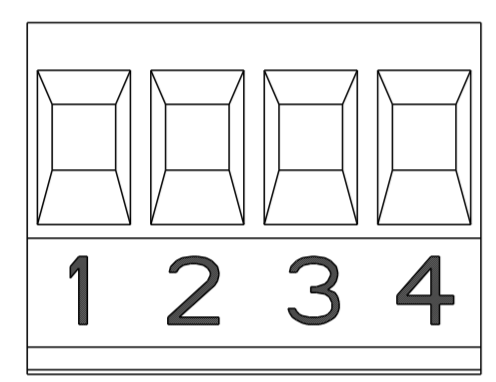


DETAIL N

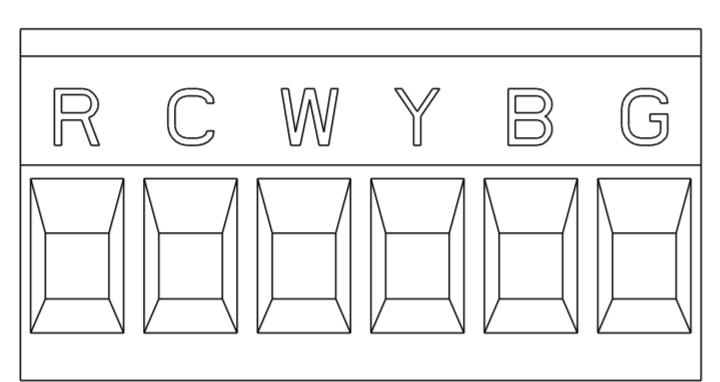


DETAIL S

1. MATERIALS AND FINISH:  
 HOUSING: PA 6-6, UL 94-V0, COLOR: GREEN.  
 CLAMP: BRASS, NICKEL PLATED.  
 DOUBLE SIDE CONTACT SPRING: PHOSPHOR BRONZE, PLATING: SEE TABLE.  
 CLAMPING SCREW: M3, BRASS, NICKEL PLATED.
2. END-TO-END STACKABLE WITHOUT LOSS OF CENTERLINE SPACING.
3. WIRE SIZE RANGE: 12-30 AWG.
4. RECOGNIZED UNDER THE COMPONENT PROGRAM OF UNDERWRITERS LABORATORIES INC. FILE N° E60677.
5. IMQ CERTIFICATE WITH SURVEILLANCE IN CONFORMITY WITH IEC 998-1/998-2-1.

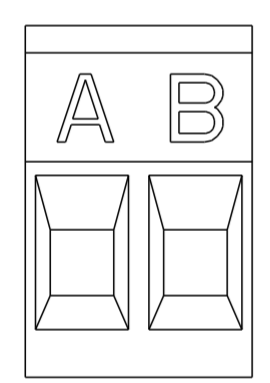


DETAIL P

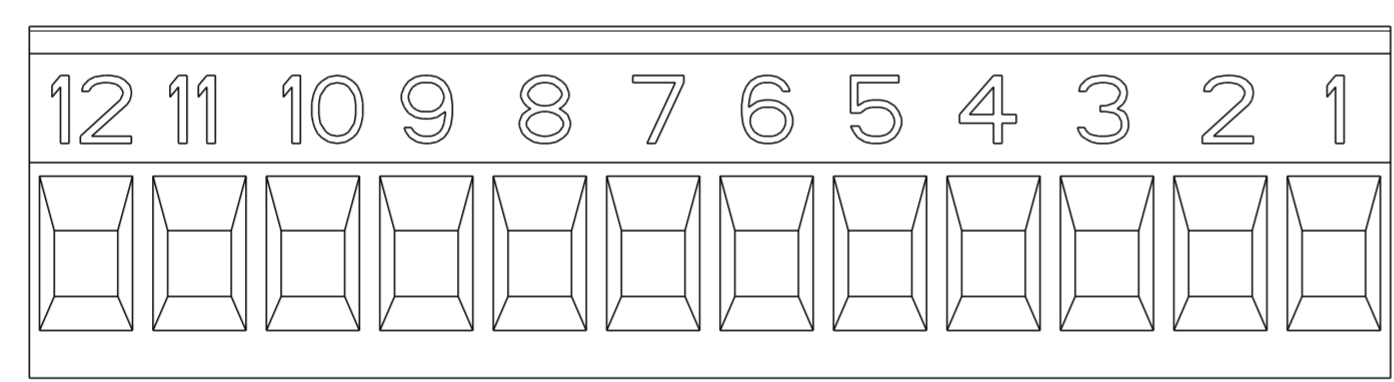


DETAIL T

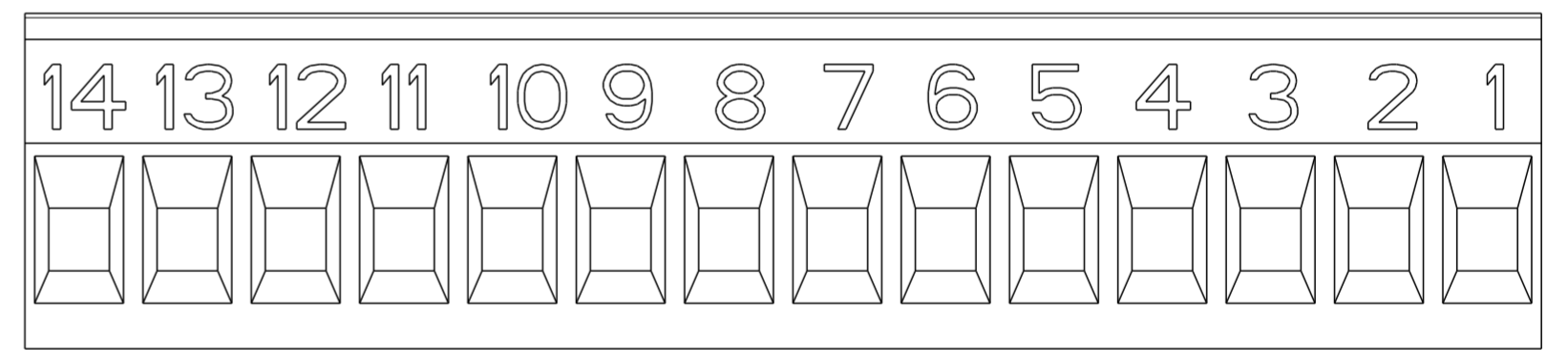
6. NOT CUMULATIVE TOLERANCE
7. INK MARKING: BLACK COLOR.
8. INK MARKING: WHITE COLOR.
9. NUMERICAL SEQUENCE: FROM LEFT TO RIGHT, WIRE ENTRY SIDE.
10. RETENTION LATCHES REMOVED
11. BUCHANAN LOGO TO APPEAR ON HOUSING, LOCATION OPTIONAL WHERE SPACE PERMITS.
12. WIRE ENTRY CLOSED.
13. PRELIMINARY - NOT FOR PRODUCTION.
14. NUMERICAL SEQUENCE: FROM RIGHT TO LEFT, WIRE ENTRY SIDE.



DETAIL U

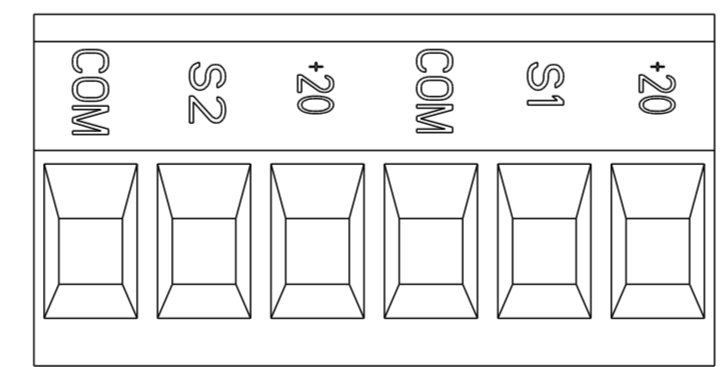


DETAIL V

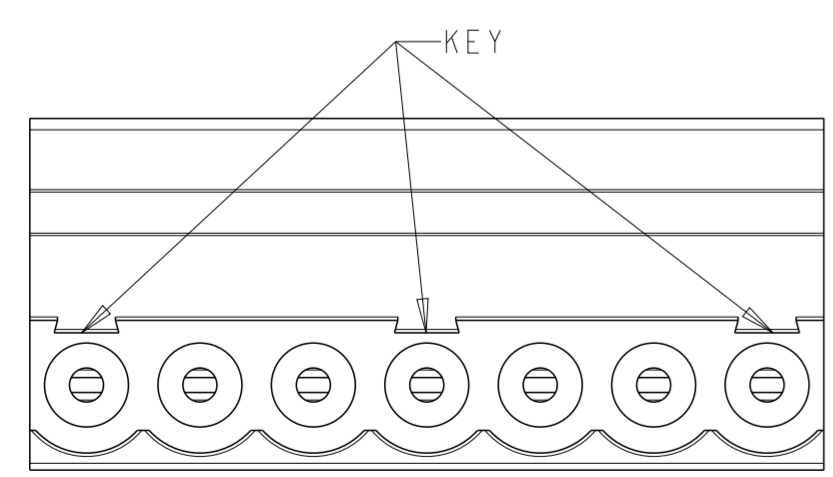


DETAIL X

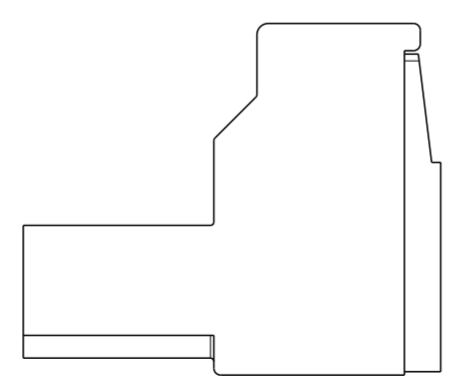
13	TIN	7	DETAIL Y	30.00	6	6-796640-5
13	TIN	7 14	DETAIL X	70.00	14	6-796640-4
13	TIN	-	DETAIL W, NO LATCH KEY POSN 1,4,7	35.00	7	6-796640-1
13	TIN	7 14	DETAIL V	60.00	12	6-796640-0
13	GOLD FLASH	-	-	35.00	7	5-796640-9
	TIN	7	DETAIL U	10.00	2	5-796640-8
	TIN	7	DETAIL T	30.00	6	5-796640-7
13	TIN	7 9	MARK 13 TO 24	60.00	12	5-796640-6
13	TIN	7 9	MARK 25 TO 38	70.00	14	5-796640-5
	TERMINAL PLATING	MARKING	SPECIAL	L	NO OF POSN	PART NUMBER



DETAIL Y



DETAIL W



THIS DRAWING IS A CONTROLLED DOCUMENT.

DIMENSIONS: mm	TOLERANCES UNLESS OTHERWISE SPECIFIED:	DWN S. WELDON 18OCT2000	TE Connectivity NAME: TERMINAL BLOCK, PLUG, STACKING 5.00mm PITCH
	0 PLC ±	CHK D. BLEVENOUR 18OCT2000	
	1 PLC ±0.3	APVD D. BLEVENOUR 18OCT2000	
	2 PLC ±0.25	PRODUCT SPEC	
	3 PLC ±	APPLICATION SPEC	SIZE: A200779
	4 PLC ±	WEIGHT	CAGE CODE: C-796640
MATERIAL	FINISH	CUSTOMER DRAWING	SCALE: 4:1
	ANGLES ±2		SHEET 2 OF 2
			REV: FILL

# Mouser Electronics

Authorized Distributor

Click to View Pricing, Inventory, Delivery & Lifecycle Information:

[TE Connectivity:](#)

[796640-4](#)