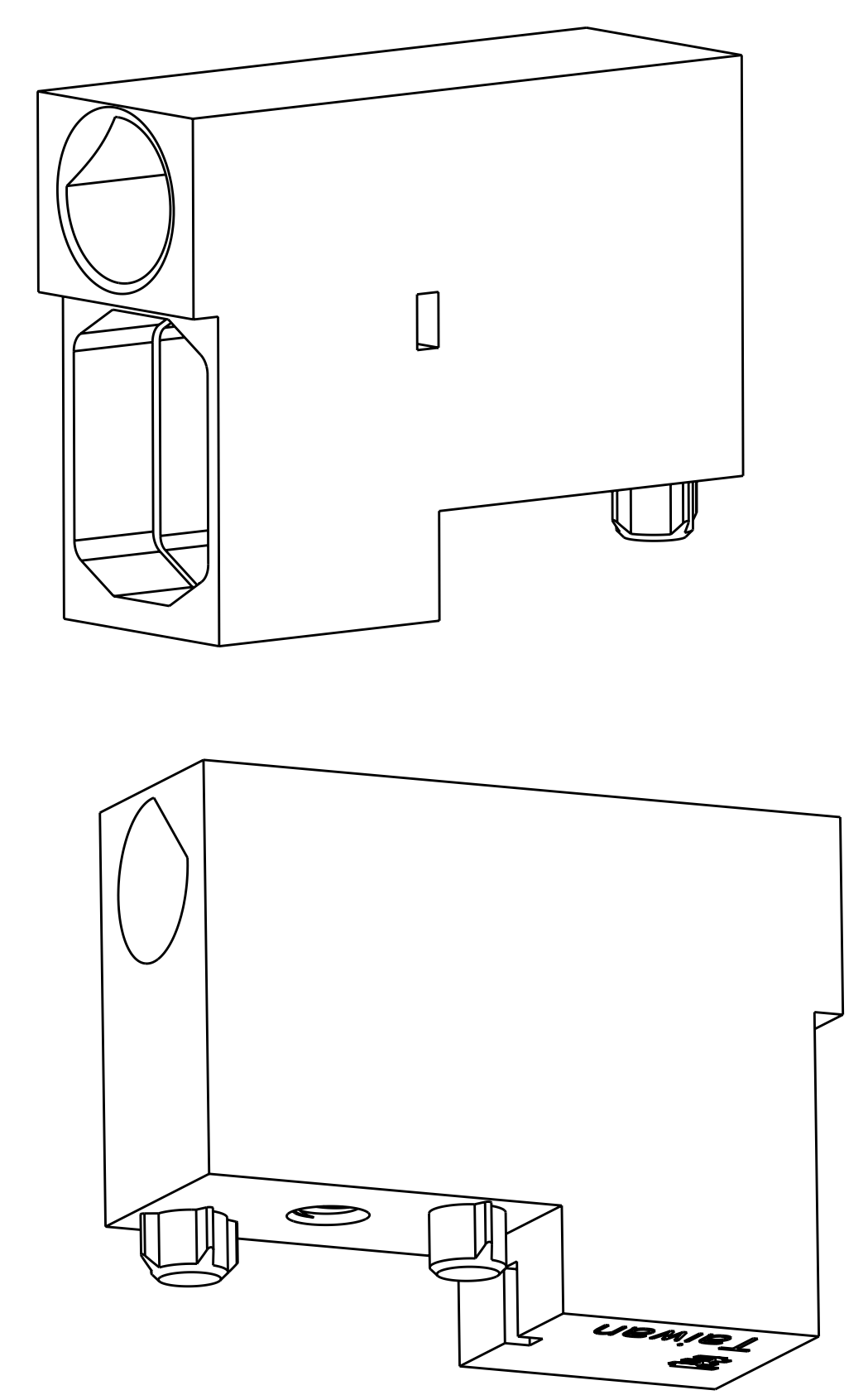
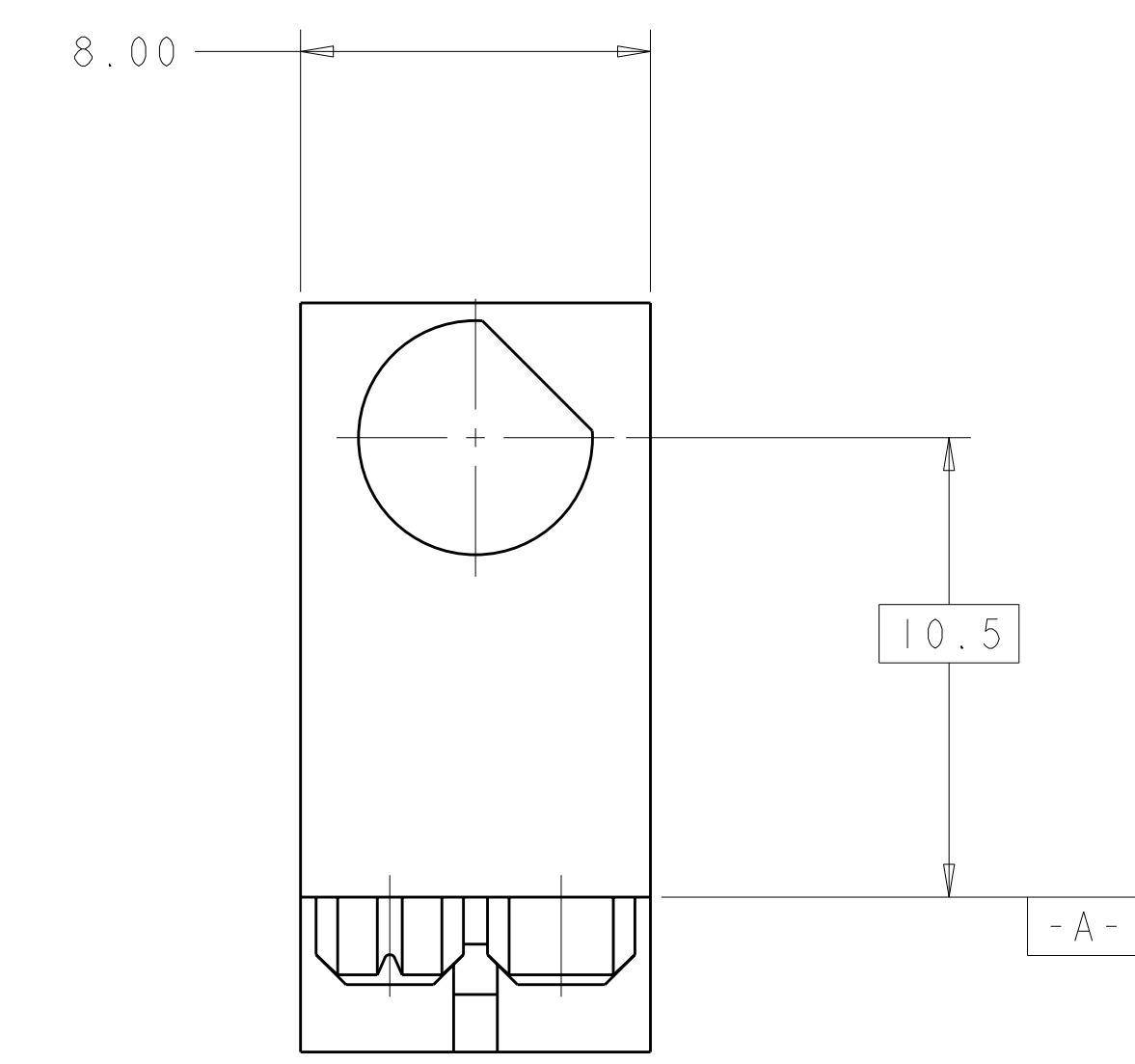
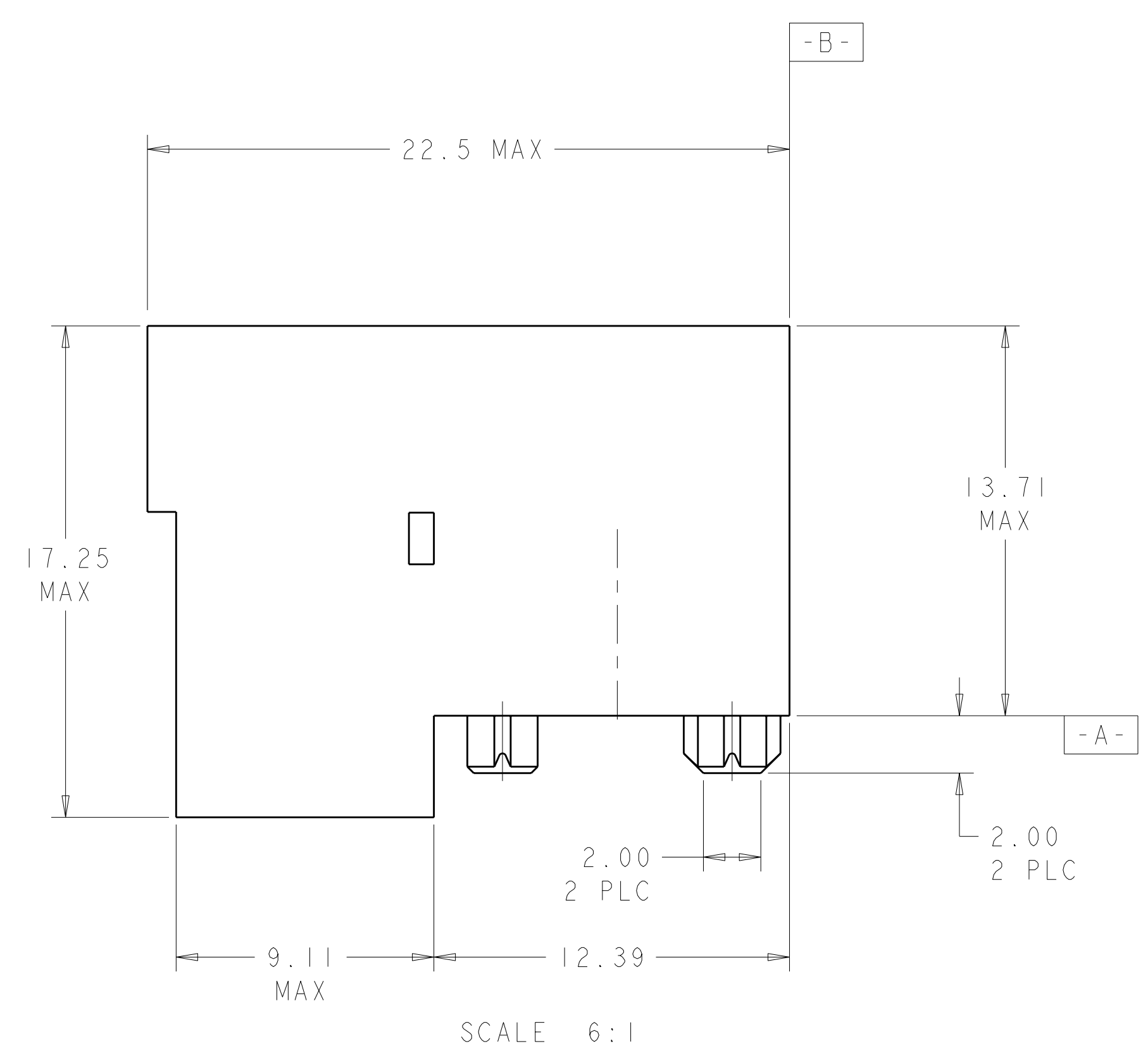
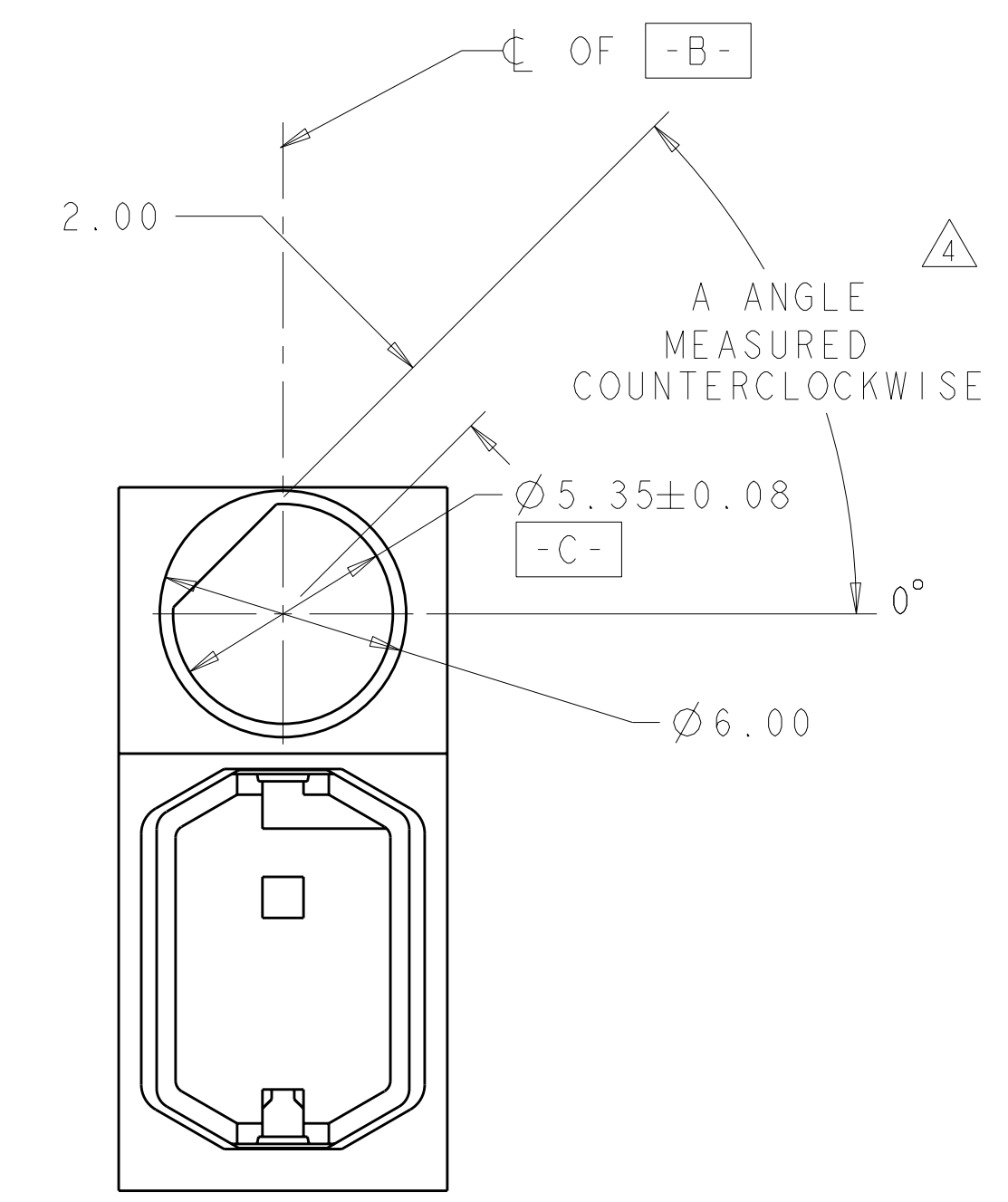


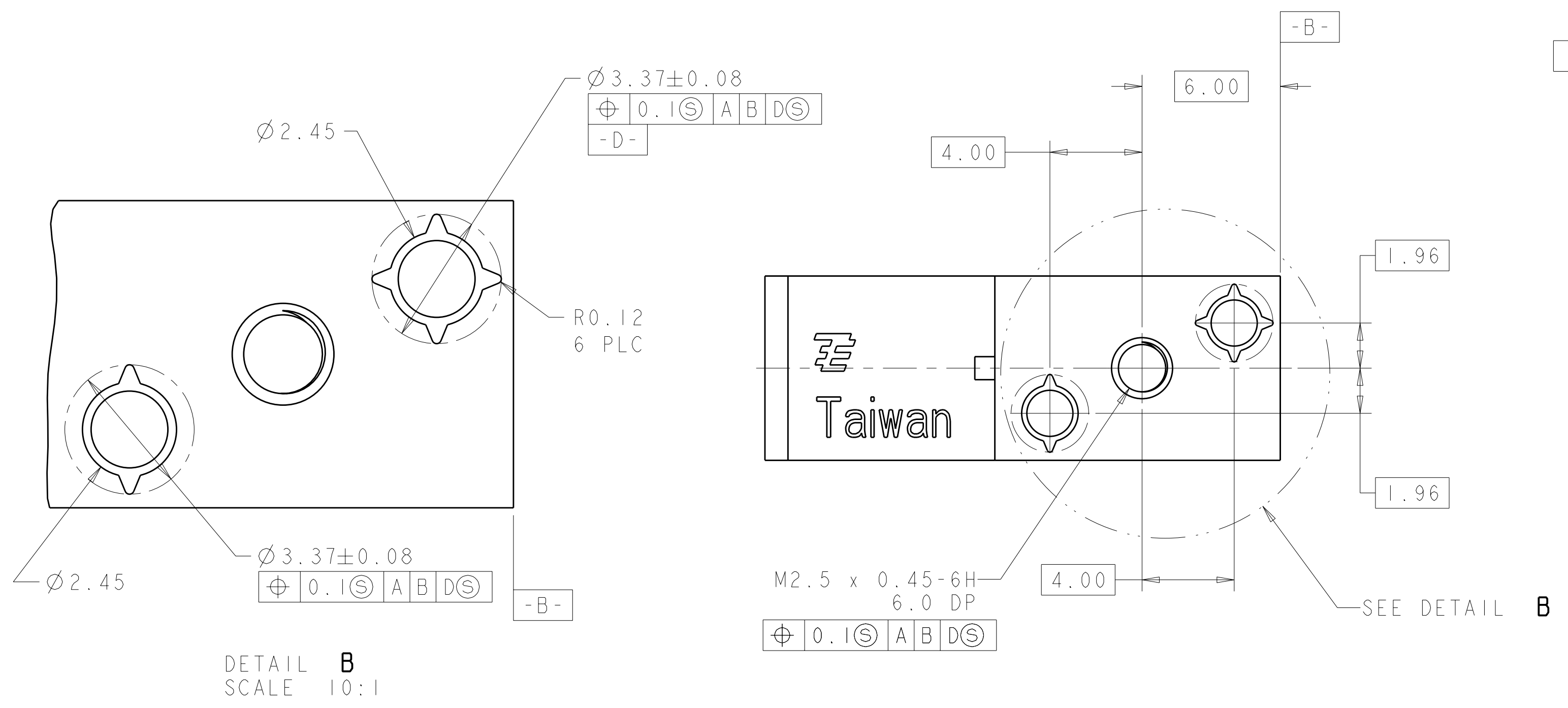
LOC	DIST	REVISIONS			
AD	00	REV	DATE	BY	APPD
		1	PROPOSED	24APR09	RT GG
		2	REVISED NOTE 1 AND 2	12MAY2009	RT GG
		A	RELEASED	16JUN2009	RT RP
		B	REV PER ECO-10-006114	13APR2010	BC DY

- ZINC ALLOY
  - FINISH: CLEAR CHROMATE
- △ HOLE FOR POSITIVE RETENSION SCREW  
 △ DASH NUMBERS INDICATE KEY ORIENTATION

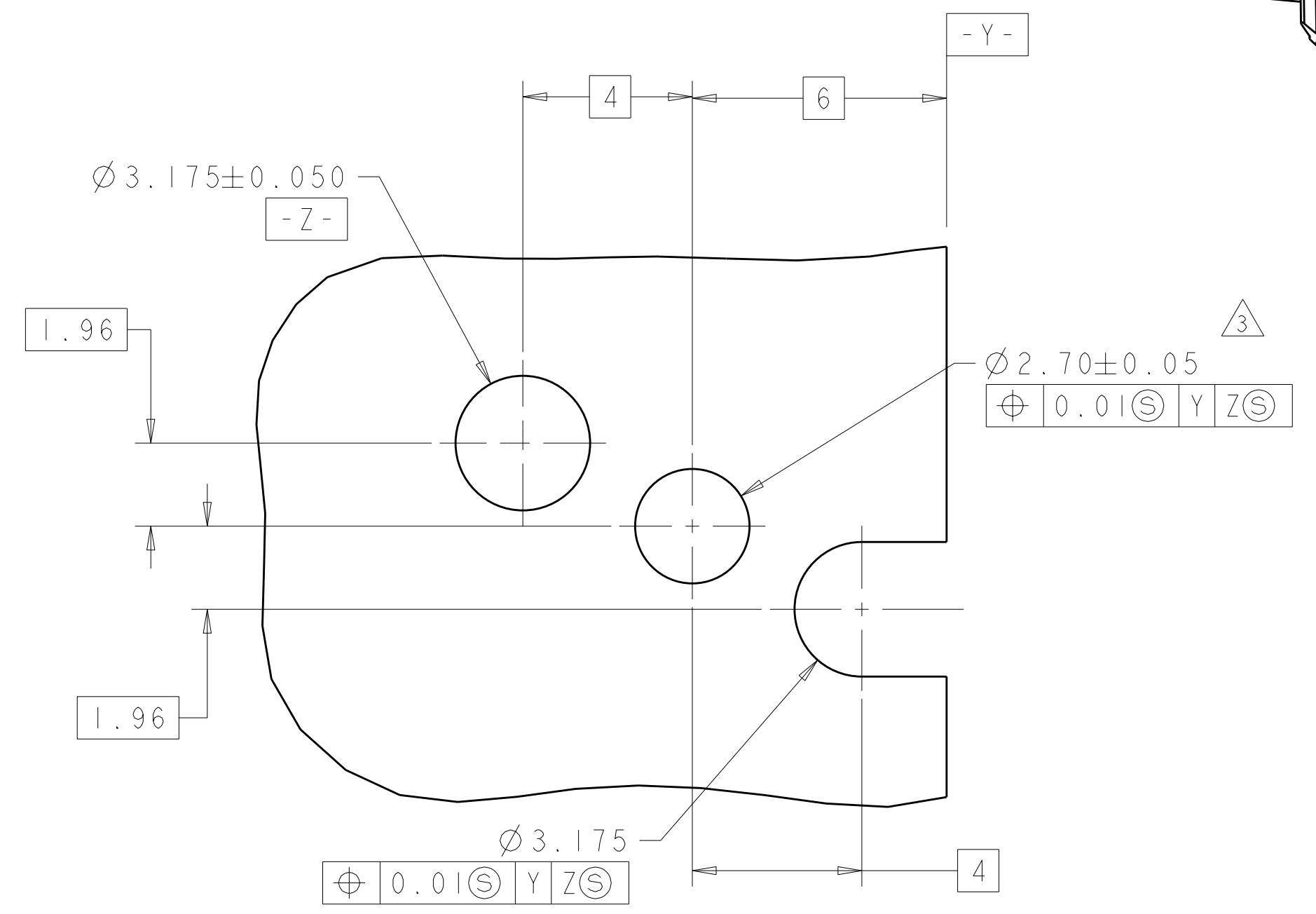


SHOWING 1410465-2

SCALE 6:1



DETAIL B  
SCALE 10:1



PCB LAYOUT  
CONNECTOR SIDE  
ALL HOLES AND FEATURES  
(ARE NON PLATED THROUGH HOLES)

FINISH	ANGLE	PART NUMBER
NO FLAT	1410465-9	
315°	1410465-8	
270°	1410465-7	
225°	1410465-6	
180°	1410465-5	
135°	1410465-4	
90°	1410465-3	
45°	1410465-2	
0°	1410465-1	

DIMENSIONS: mm TOLERANCES UNLESS OTHERWISE SPECIFIED: 9 PLC ± 8 PLC ±0.13 5 PLC ±0.013 4 PLC ± ANGLES ±		DWN R. TREA 24APR2009 CHK G. GRIFFITH 24APR2009 APVD D. YI 13APR2010		Tyco Electronics Harrisburg, PA 17105-3608	
MATERIAL: - FINISH: -		PRODUCT SPEC: - APPLICATION SPEC: - WEIGHT: -		NAME: KEYING/GUIDE RECEPTACLE, VITA 41 SIZE: CAGE CODE: DRAWING NO: A100779C=1410465 RESTRICTED TO: -	
CUSTOMER DRAWING		SCALE 5:1		SHEET 1 OF 1 REV B	

# Mouser Electronics

Authorized Distributor

Click to View Pricing, Inventory, Delivery & Lifecycle Information:

[TE Connectivity:](#)

[1410465-1](#)